

Malamata

PRODUCT NAME

Malamata

BRAND

Luceplan

DESIGNER

Shulab

CATEGORY

Suspension INDOOR

DIMENSIONS

B01S22 - L: 106cm, H: 86cm
B01S48 - L: 119cm, H: 132cm

MATERIAL

Steel, Blown Glass

FINISHES

Matt Black / Brushed Brass

LIGHT SOURCE & VOLTAGE

B01S22 - LED Bulb E14 Max Ø 40 mm
B01S48 - LED Bulb E27 Max Ø 70 mm

CONTROL

N/A

GENERAL LEAD TIME

6 to 8 weeks

CUSTOMISABLE

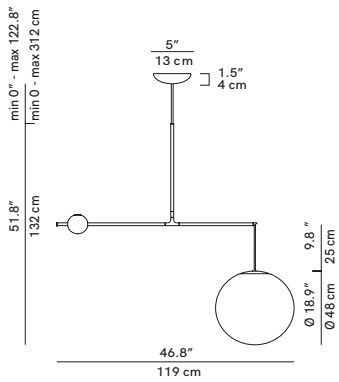
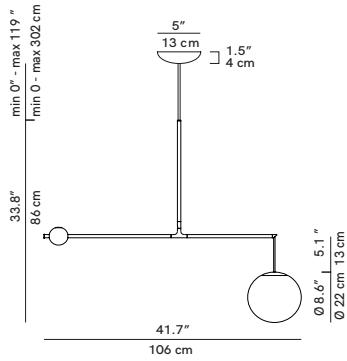
No

PACKING DIMENSIONS

N/A

CERTIFICATIONS

CE Certified



Additional Info

The light can be adjusted thanks to a sphere counterweight. Pushing the button on top of the sphere, a spring is released and the counterweight is free to slide on the stem, allowing to change the diffuser position up and down.

Light source not included.

Related Products



Malamata Floor Lamp



Malamata Wall Lamp