



# Sainte 21

**PRODUCT NAME**

Sainte

**BRAND**

Lambert & Fils

**DESIGNER**

Lambert & Fils, Rachel Bussin

**CATEGORY**

Pendant <sup>INDOOR</sup>

**DIMENSIONS**

H: 15cm (6"), L: 76cm (30"), D: 6cm (2.5")

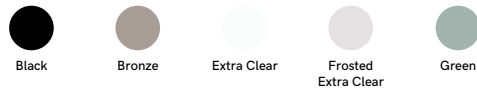
**MATERIAL**

Polished Aluminum, Polyester Laminated Acrylic, Nylon Ribbon, PMMA Frosted Diffuser

**NYLON RIBBON**

Black / Beige

**FINISHES**



**CONTROL**

On/Off | 0-10V | Phase Dimming DALI

**GENERAL LEAD TIME**

9 to 11 weeks

**CUSTOMISABLE**

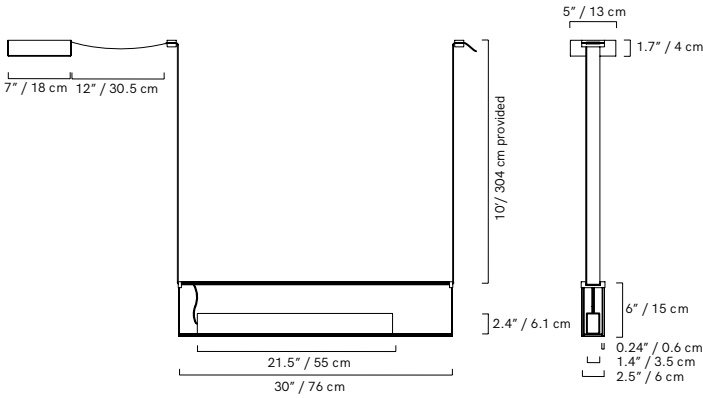
Yes

**WEIGHT**

9.1 lb | 4.1 kg

**CERTIFICATIONS**

UL Listed | CE | RoHS | IP20



## Light Source & Voltage

Source: LED array, integrated  
Power consumption: 19.3W

Colour temperature: 2700K, 3000K, Dim to Warm.

Lumen output: 2700K - 927lm  
Colour rendering index: 90 CRI  
Colour consistency: 3 SDCM  
Expected lifetime: 50 000h

120-277V: On/Off, 0-10V, Phase Dimming (120V only)  
220-240V: On/Off, Phase Dimming, DALI

## Related Products



Sainte Atelier Glass Pendant



# Sainte 22

**PRODUCT NAME**

Sainte

**BRAND**

Lambert & Fils

**DESIGNER**

Lambert & Fils, Rachel Bussin

**CATEGORY**

Pendant <sup>INDOOR</sup>

**DIMENSIONS**

H: 47cm (18.5"), L: 47cm (18.5"), D: 6cm (2.5")

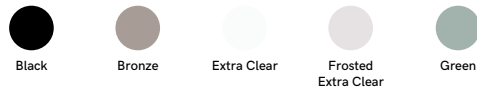
**MATERIAL**

Polished Aluminum, Polyester Laminated Acrylic, Nylon Ribbon, PMMA Frosted Diffuser

**NYLON RIBBON**

Black / Beige

**FINISHES**



**CONTROL**

On/Off | 0-10V | Phase Dimming  
DALI

**GENERAL LEAD TIME**

9 to 11 weeks

**CUSTOMISABLE**

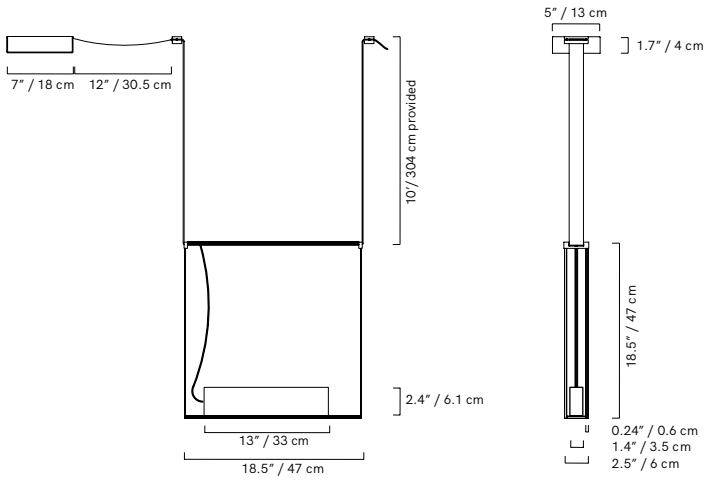
Yes

**WEIGHT**

13.8 lb | 6.3 kg

**CERTIFICATIONS**

UL Listed | CE | RoHS | IP20



## Light Source & Voltage

Source: LED array, integrated  
Power consumption: 11W

Colour temperature: 2700K, 3000K, Dim to Warm.

Lumen output: 2700K - 499lm  
Colour rendering index: 90 CRI  
Colour consistency: 3 SDCM  
Expected lifetime: 50 000h

120-277V: On/Off, 0-10V, Phase Dimming (120V only)  
220-240V: On/Off, Phase Dimming, DALI

## Related Products



Sainte Atelier Glass  
Pendant

# Sainte 23

**PRODUCT NAME**

Sainte

**BRAND**

Lambert & Fils

**DESIGNER**

Lambert & Fils, Rachel Bussin

**CATEGORY**

Pendant <sup>INDOOR</sup>

**DIMENSIONS**

H: 56cm (22"), L: 38cm (15"), D: 6cm (2.5")

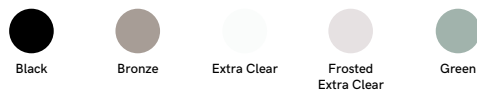
**MATERIAL**

Polished Aluminum, Polyester Laminated Acrylic, Nylon Ribbon, PMMA Frosted Diffuser

**NYLON RIBBON**

Black / Beige

**FINISHES**



**CONTROL**

On/Off | 0-10V | Phase Dimming  
DALI

**GENERAL LEAD TIME**

9 to 11 weeks

**CUSTOMISABLE**

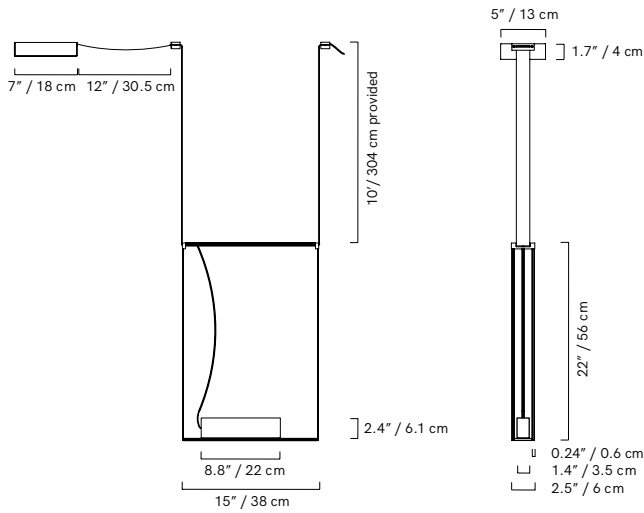
Yes

**WEIGHT**

11.7 lb | 7.3 kg

**CERTIFICATIONS**

UL Listed | CE | RoHS | IP20



## Light Source & Voltage

Source: LED array, integrated  
Power consumption: 7.9W

Colour temperature: 2700K, 3000K, Dim to Warm.

Lumen output: 2700K - 359lm  
Colour rendering index: 90 CRI  
Colour consistency: 3 SDCM  
Expected lifetime: 50 000h

120-277V: On/Off, 0-10V, Phase Dimming (120V only)  
220-240V: On/Off, Phase Dimming, DALI

## Related Products



Sainte Atelier Glass  
Pendant



# Sainte 24

**PRODUCT NAME**

Sainte

**BRAND**

Lambert & Fils

**DESIGNER**

Lambert & Fils, Rachel Bussin

**CATEGORY**

Pendant INDOOR

**DIMENSIONS**

H: 30.5cm (12"), L: 20cm (8"), D: 6cm (2.5")

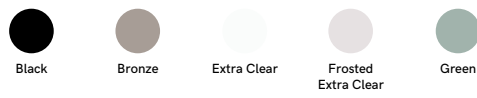
**MATERIAL**

Polished Aluminum, Polyester Laminated Acrylic, Nylon Ribbon, PMMA Frosted Diffuser

**NYLON RIBBON**

Black / Beige

**FINISHES**



**CONTROL**

On/Off | 0-10V | Phase Dimming  
DALI

**GENERAL LEAD TIME**

9 to 11 weeks

**CUSTOMISABLE**

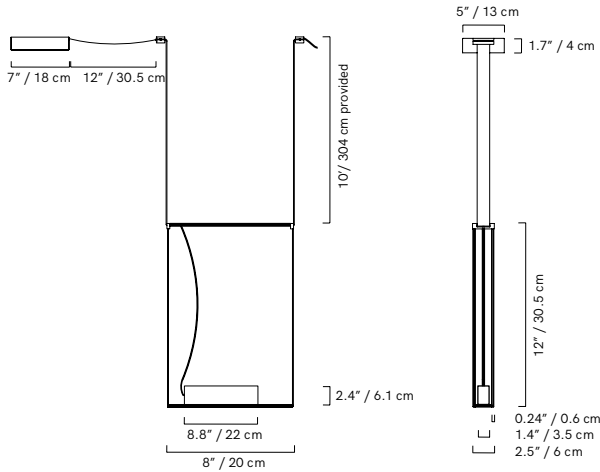
Yes

**WEIGHT**

4.5 lb | 2 kg

**CERTIFICATIONS**

UL Listed | CE | RoHS | IP20



## Light Source & Voltage

Source: LED array, integrated  
Power consumption: 7.9W

Colour temperature: 2700K, 3000K, Dim to Warm.

Lumen output: 2700K - 335lm  
Colour rendering index: 90 CRI  
Colour consistency: 3 SDCM  
Expected lifetime: 50 000h

120-277V: On/Off, 0-10V, Phase Dimming (120V only)  
220-240V: On/Off, Phase Dimming, DALI

## Related Products



Sainte Atelier Glass  
Pendant

# Sainte 25

PRODUCT NAME

Sainte

DIMENSIONS

H: 23cm (9"), L: 57cm (22.5"), D: 6cm (2.5")

CONTROL

On/Off | 0-10V | Phase Dimming  
DALI

BRAND

Lambert & Fils

MATERIAL

Polished Aluminum, Polyester Laminated Acrylic, Nylon Ribbon,  
PMMA Frosted Diffuser

GENERAL LEAD TIME

9 to 11 weeks

DESIGNER

Lambert & Fils, Rachel  
Bussin

NYLON RIBBON

Black / Beige

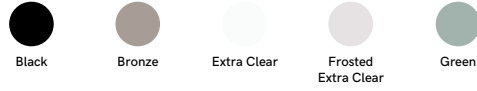
CUSTOMISABLE

Yes

CATEGORY

Pendant <sup>INDOOR</sup>

FINISHES

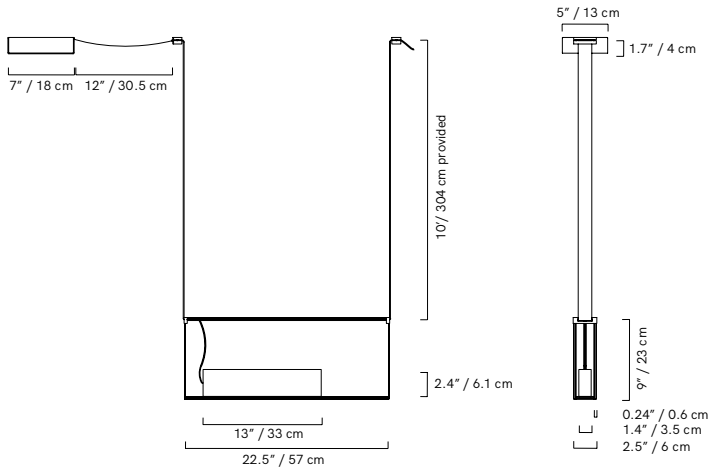


WEIGHT

9.6 lb | 4.4 kg

CERTIFICATIONS

UL Listed | CE | RoHS | IP20



## Light Source & Voltage

Source: LED array, integrated  
Power consumption: 11W

Colour temperature: 2700K, 3000K, Dim to Warm.

Lumen output: 2700K - 499lm  
Colour rendering index: 90 CRI  
Colour consistency: 3 SDCM  
Expected lifetime: 50 000h

120-277V: On/Off, 0-10V, Phase Dimming (120V only)  
220-240V: On/Off, Phase Dimming, DALI

## Related Products



Sainte Atelier Glass  
Pendant