



Sainte Atelier 01

PRODUCT NAME

Sainte Atelier

BRAND

Lambert & Fils

DESIGNER

Lambert & Fils, Rachel Bussin

CATEGORY

Pendant INDOOR

DIMENSIONS

H: 15cm (6"), L: 76cm (30"), D: 6cm (2.5")

MATERIAL

Polished Aluminum, Polyester Laminated Glass (one side), Nylon Ribbon, PMMA Frosted Diffuser

NYLON RIBBON

Black / Beige

FINISHES



CONTROL

On/Off | 0-10V | Phase Dimming
DALI

GENERAL LEAD TIME

18 to 20 weeks

CUSTOMISABLE

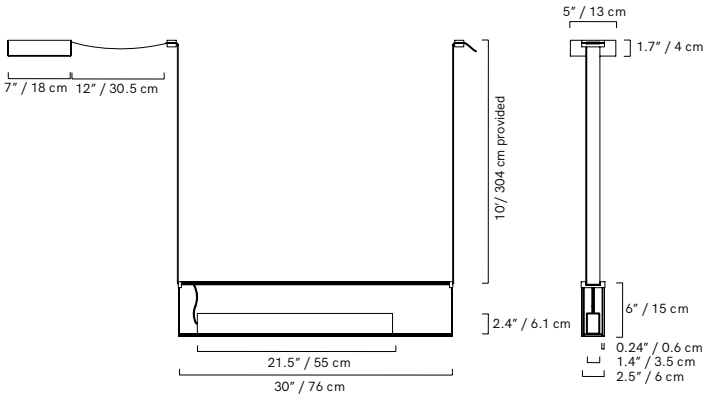
Yes

WEIGHT

14.3 lb | 6.5 kg

CERTIFICATIONS

UL Listed | CE | RoHS | IP20



Light Source & Voltage

Source: LED array, integrated
Power consumption: 19.3W

Colour temperature: 2700K, 3000K, Dim to Warm.

Lumen output: 2700K - 927lm
Colour rendering index: 90 CRI
Colour consistency: 3 SDCM
Expected lifetime: 50 000h

120-277V: On/Off, 0-10V, Phase Dimming (120V only)
220-240V: On/Off, Phase Dimming, DALI

Related Products



Sainte Acrylic
Pendant

Sainte Atelier O2

PRODUCT NAME

Sainte Atelier

BRAND

Lambert & Fils

DESIGNER

Lambert & Fils, Rachel Bussin

CATEGORY

Pendant INDOOR

DIMENSIONS

H: 47cm (18.5"), L: 47cm (18.5"), D: 6cm (2.5")

MATERIAL

Polished Aluminum, Polyester Laminated Glass (one side), Nylon Ribbon, PMMA Frosted Diffuser

NYLON RIBBON

Black / Beige

FINISHES



CONTROL

On/Off | 0-10V | Phase Dimming
DALI

GENERAL LEAD TIME

18 to 20 weeks

CUSTOMISABLE

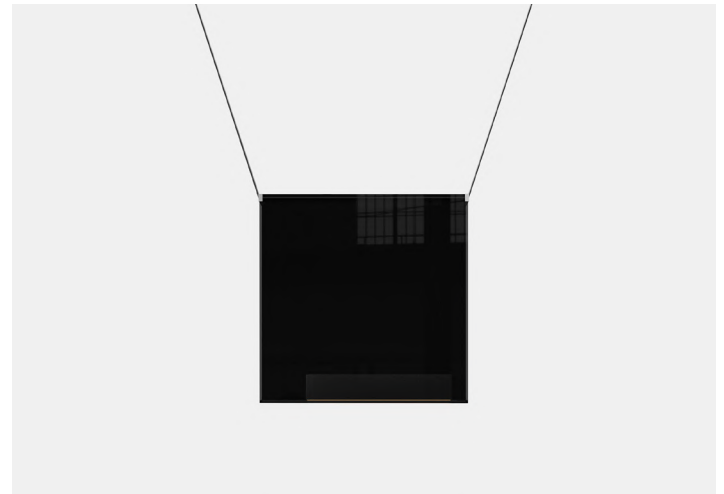
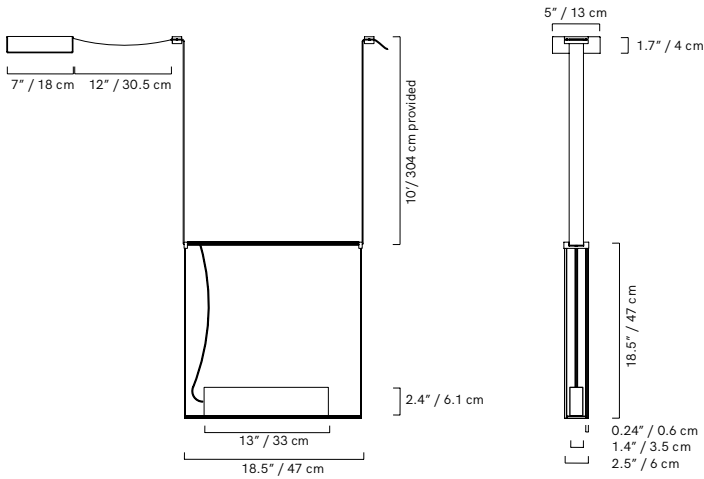
Yes

WEIGHT

21.7 lb | 9.8 kg

CERTIFICATIONS

UL Listed | CE | RoHS | IP20



Light Source & Voltage

Source: LED array, integrated
Power consumption: 11W

Colour temperature: 2700K, 3000K, Dim to Warm.

Lumen output: 2700K - 499lm
Colour rendering index: 90 CRI
Colour consistency: 3 SDCM
Expected lifetime: 50 000h

120-277V: On/Off, 0-10V, Phase Dimming (120V only)
220-240V: On/Off, Phase Dimming, DALI

Related Products



Sainte Acrylic
Pendant

Sainte Atelier 03

PRODUCT NAME

Sainte Atelier

BRAND

Lambert & Fils

DESIGNER

Lambert & Fils, Rachel Bussin

CATEGORY

Pendant INDOOR

DIMENSIONS

H: 56cm (22"), L: 38cm (15"), D: 6cm (2.5")

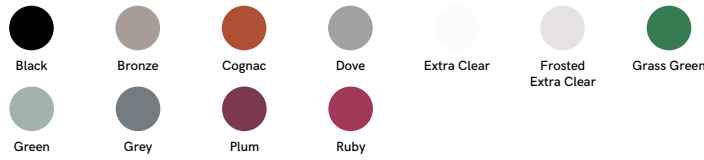
MATERIAL

Polished Aluminum, Polyester Laminated Glass (one side), Nylon Ribbon, PMMA Frosted Diffuser

NYLON RIBBON

Black / Beige

FINISHES



CONTROL

On/Off | 0-10V | Phase Dimming DALI

GENERAL LEAD TIME

18 to 20 weeks

CUSTOMISABLE

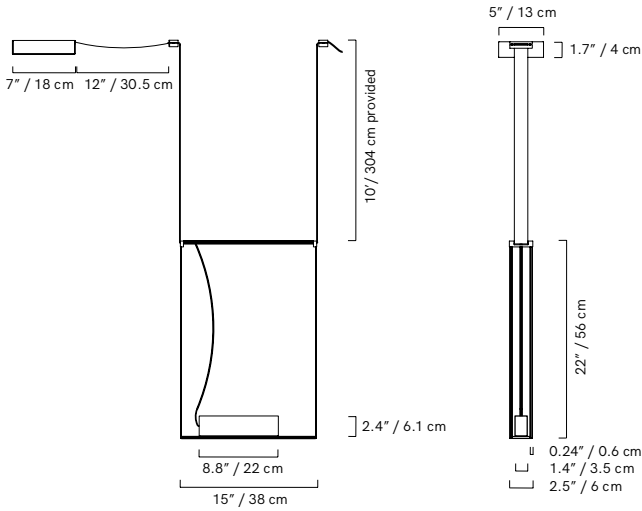
Yes

WEIGHT

18.3 lb | 8.2 kg

CERTIFICATIONS

UL Listed | CE | RoHS | IP20



Light Source & Voltage

Source: LED array, integrated
Power consumption: 7.9W

Colour temperature: 2700K, 3000K, Dim to Warm.

Lumen output: 2700K - 359lm
Colour rendering index: 90 CRI
Colour consistency: 3 SDCM
Expected lifetime: 50 000h

120-277V: On/Off, 0-10V, Phase Dimming (120V only)
220-240V: On/Off, Phase Dimming, DALI

Related Products



Sainte Acrylic Pendant

Sainte Atelier 04

PRODUCT NAME

Sainte Atelier

BRAND

Lambert & Fils

DESIGNER

Lambert & Fils, Rachel Bussin

CATEGORY

Pendant INDOOR

DIMENSIONS

H: 30.5cm (12"), L: 20cm (8"), D: 6cm (2.5")

MATERIAL

Polished Aluminum, Polyester Laminated Glass (one side), Nylon Ribbon, PMMA Frosted Diffuser

NYLON RIBBON

Black / Beige

FINISHES



CONTROL

On/Off | 0-10V | Phase Dimming DALI

GENERAL LEAD TIME

18 to 20 weeks

CUSTOMISABLE

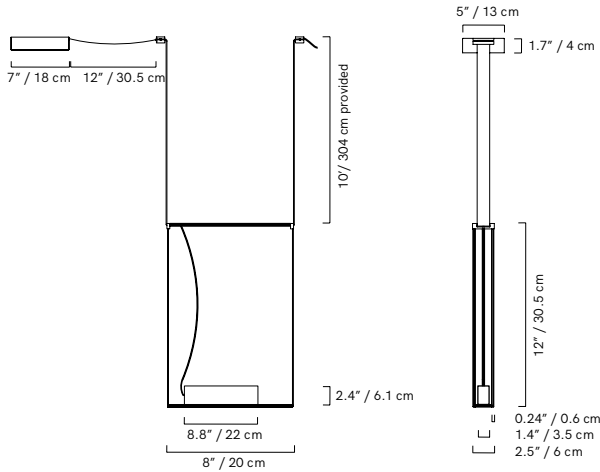
Yes

WEIGHT

7.1 lb | 3.2 kg

CERTIFICATIONS

UL Listed | CE | RoHS | IP20



Light Source & Voltage

Source: LED array, integrated
Power consumption: 7.9W

Colour temperature: 2700K, 3000K, Dim to Warm.

Lumen output: 2700K - 335lm
Colour rendering index: 90 CRI
Colour consistency: 3 SDCM
Expected lifetime: 50 000h

120-277V: On/Off, 0-10V, Phase Dimming (120V only)
220-240V: On/Off, Phase Dimming, DALI

Related Products



Sainte Acrylic Pendant



Sainte Atelier 05

PRODUCT NAME

Sainte Atelier

BRAND

Lambert & Fils

DESIGNER

Lambert & Fils, Rachel Bussin

CATEGORY

Pendant ^{INDOOR}

DIMENSIONS

H: 23cm (9"), L: 57cm (22.5"), D: 6cm (2.5")

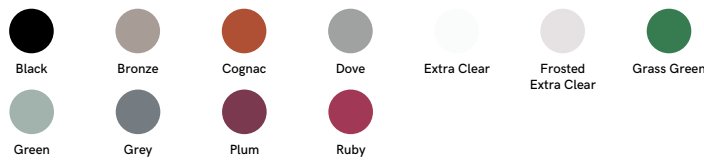
MATERIAL

Polished Aluminum, Polyester Laminated Glass (one side), Nylon Ribbon, PMMA Frosted Diffuser

NYLON RIBBON

Black / Beige

FINISHES



CONTROL

On/Off | 0-10V | Phase Dimming
DALI

GENERAL LEAD TIME

18 to 20 weeks

CUSTOMISABLE

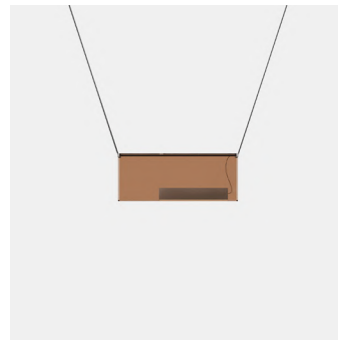
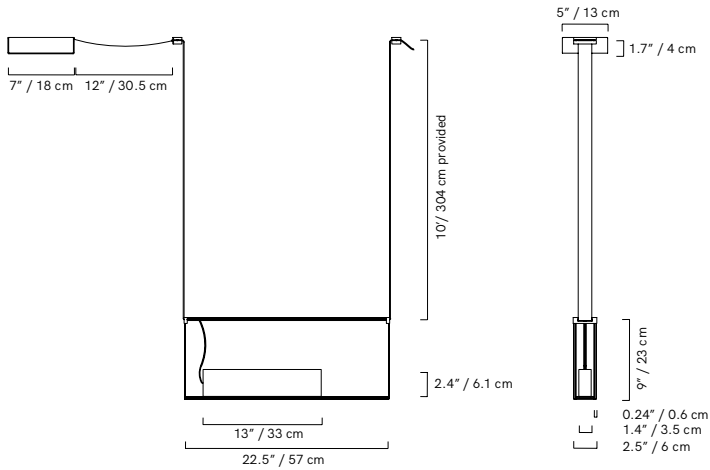
Yes

WEIGHT

15.1 lb | 6.8 kg

CERTIFICATIONS

UL Listed | CE | RoHS | IP20



Light Source & Voltage

Source: LED array, integrated
Power consumption: 11W

Colour temperature: 2700K, 3000K, Dim to Warm.

Lumen output: 2700K - 499lm
Colour rendering index: 90 CRI
Colour consistency: 3 SDCM
Expected lifetime: 50 000h

120-277V: On/Off, 0-10V, Phase Dimming (120V only)
220-240V: On/Off, Phase Dimming, DALI

Related Products



Sainte Acrylic
Pendant



Sainte Atelier O6

PRODUCT NAME

Sainte Atelier

BRAND

Lambert & Fils

DESIGNER

Lambert & Fils, Rachel Bussin

CATEGORY

Pendant ^{INDOOR}

DIMENSIONS

H: 20.3cm (8"), L: 122cm (48"), D: 8.8cm (3.4")

MATERIAL

Polished Aluminum, Polyester Laminated Glass (one side), Nylon Ribbon, PMMA Frosted Diffuser

NYLON RIBBON

Black / Beige

FINISHES



CONTROL

On/Off | 0-10V | Phase Dimming
DALI

GENERAL LEAD TIME

18 to 20 weeks

CUSTOMISABLE

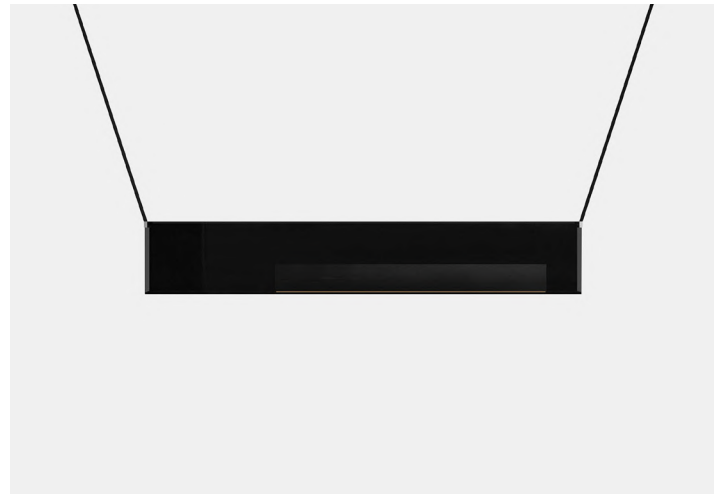
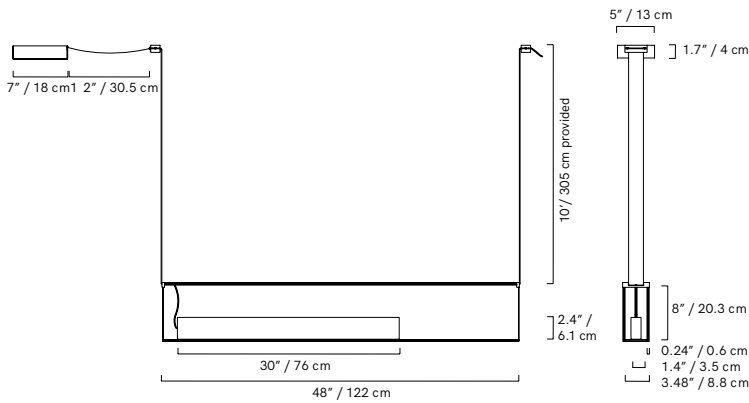
Yes

WEIGHT

41.8 lb | 18.6 kg

CERTIFICATIONS

UL Listed | CE | RoHS | IP20



Light Source & Voltage

Source: LED array, integrated
Power consumption: 26.8W

Colour temperature: 2700K, 3000K, Dim to Warm.

Lumen output: 2700K - 499lm
Colour rendering index: 90 CRI
Colour consistency: 3 SDCM
Expected lifetime: 50 000h

120-277V: On/Off, 0-10V, Phase Dimming (120V only)
220-240V: On/Off, Phase Dimming, DALI

Related Products



Sainte Acrylic
Pendant

Sainte Atelier 07

PRODUCT NAME

Sainte Atelier

BRAND

Lambert & Fils

DESIGNER

Lambert & Fils, Rachel Bussin

CATEGORY

Pendant INDOOR

DIMENSIONS

H: 61cm (24"), L: 61cm (24"), D: 8.8cm (3.4")

MATERIAL

Polished Aluminum, Polyester Laminated Glass (one side), Nylon Ribbon, PMMA Frosted Diffuser

NYLON RIBBON

Black / Beige

FINISHES



CONTROL

On/Off | 0-10V | Phase Dimming
DALI

GENERAL LEAD TIME

18 to 20 weeks

CUSTOMISABLE

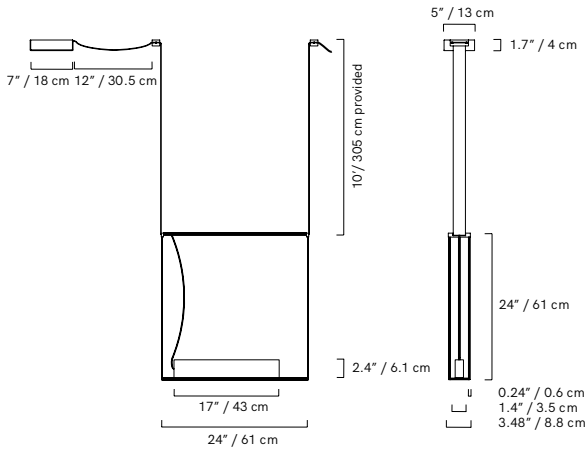
Yes

WEIGHT

44.1 lb | 20 kg

CERTIFICATIONS

UL Listed | CE | RoHS | IP20



Light Source & Voltage

Source: LED array, integrated
Power consumption: 15.4W

Colour temperature: 2700K, 3000K, Dim to Warm.

Lumen output: 2700K - 699lm
Colour rendering index: 90 CRI
Colour consistency: 3 SDCM
Expected lifetime: 50 000h

120-277V: On/Off, 0-10V, Phase Dimming (120V only)
220-240V: On/Off, Phase Dimming, DALI

Related Products



Sainte Acrylic
Pendant

NEED MORE HELP?

If you require a quotation or more information about this product or brand, please get in touch with our team:

GENERAL ENQUIRIES
info@monologuelondon.com

CONTRACT ENQUIRIES
contracts@monologuelondon.com

ONLINE STORE
www.monologuelondon.com
@monologuelondon

Sainte Atelier O8

PRODUCT NAME

Sainte Atelier

BRAND

Lambert & Fils

DESIGNER

Lambert & Fils, Rachel Bussin

CATEGORY

Pendant INDOOR

DIMENSIONS

H: 71cm (28"), L: 51cm (20"), D: 8.8cm (3.4")

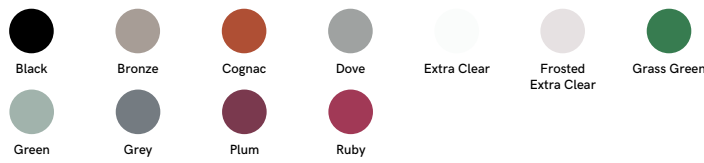
MATERIAL

Polished Aluminum, Polyester Laminated Glass (one side), Nylon Ribbon, PMMA Frosted Diffuser

NYLON RIBBON

Black / Beige

FINISHES



CONTROL

On/Off | 0-10V | Phase Dimming
DALI

GENERAL LEAD TIME

18 to 20 weeks

CUSTOMISABLE

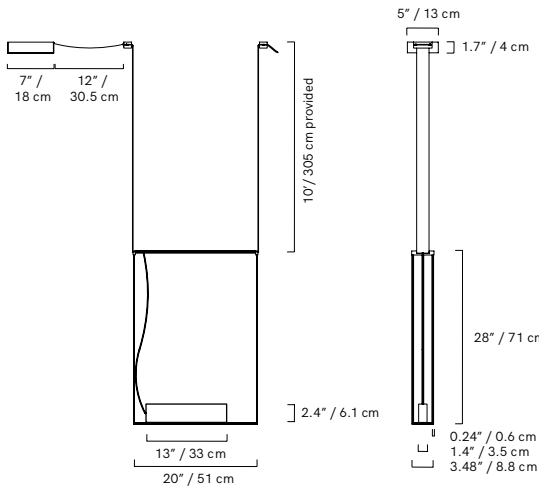
Yes

WEIGHT

42.1 lb | 19.1 kg

CERTIFICATIONS

UL Listed | CE | RoHS | IP20



Light Source & Voltage

Source: LED array, integrated
Power consumption: 11W

Colour temperature: 2700K, 3000K, Dim to Warm.

Lumen output: 2700K - 499lm
Colour rendering index: 90 CRI
Colour consistency: 3 SDCM
Expected lifetime: 50 000h

120-277V: On/Off, 0-10V, Phase Dimming (120V only)
220-240V: On/Off, Phase Dimming, DALI

Related Products



Sainte Acrylic
Pendant



Sainte Atelier 09

PRODUCT NAME

Sainte Atelier

BRAND

Lambert & Fils

DESIGNER

Lambert & Fils, Rachel Bussin

CATEGORY

Pendant INDOOR

DIMENSIONS

H: 30.5cm (12"), L: 68.6cm (27"), D: 8.8cm (3.4")

MATERIAL

Polished Aluminum, Polyester Laminated Glass (one side), Nylon Ribbon, PMMA Frosted Diffuser

NYLON RIBBON

Black / Beige

FINISHES



CONTROL

On/Off | 0-10V | Phase Dimming DALI

GENERAL LEAD TIME

18 to 20 weeks

CUSTOMISABLE

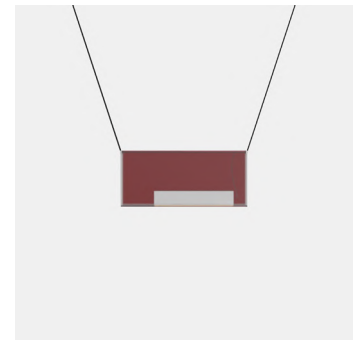
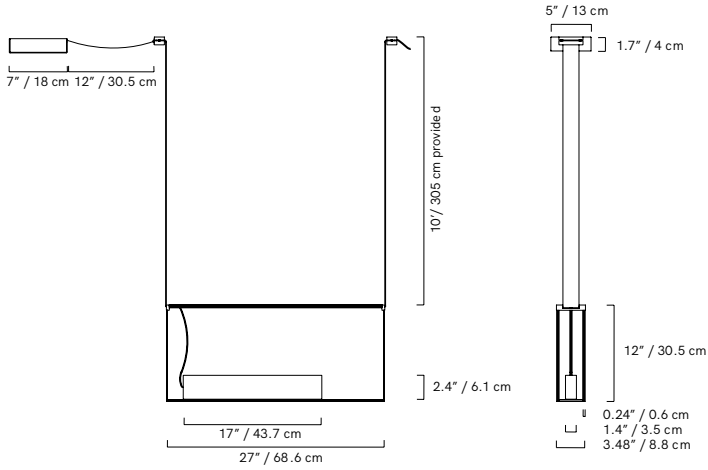
Yes

WEIGHT

31 lb | 14.1 kg

CERTIFICATIONS

UL Listed | CE | RoHS | IP20



Light Source & Voltage

Source: LED array, integrated
Power consumption: 15.4W

Colour temperature: 2700K, 3000K, Dim to Warm.

Lumen output: 2700K - 699lm
Colour rendering index: 90 CRI
Colour consistency: 3 SDCM
Expected lifetime: 50 000h

120-277V: On/Off, 0-10V, Phase Dimming (120V only)
220-240V: On/Off, Phase Dimming, DALI

Related Products



Sainte Acrylic Pendant