



Isle 02B

PRODUCT NAME

Isle 02B

DIMENSIONS

H: 18cm, L: 114cm, D: 7.6cm

CONTROL

On/Off | Phase Dimming | DALI

BRAND

Lambert & Fils

MATERIAL

Frosted Glass Tube, Polished Aluminium, Marble, Polyester Cord

GENERAL LEAD TIME

18 to 20 weeks

DESIGNER

Lambert & Fils, Zoë Mowat

CORD

Black

CUSTOMISABLE

Yes

CATEGORY

Pendant INDOOR

FINISHES



Polished Aluminium



Black Marquina



Green Guatemala



Pink Portugal



Red Levanto



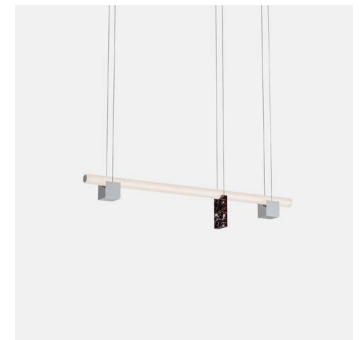
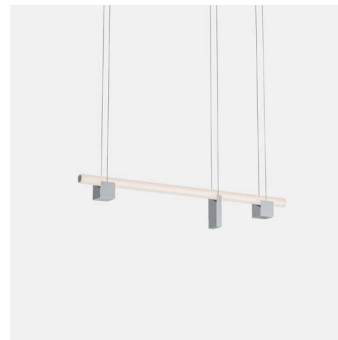
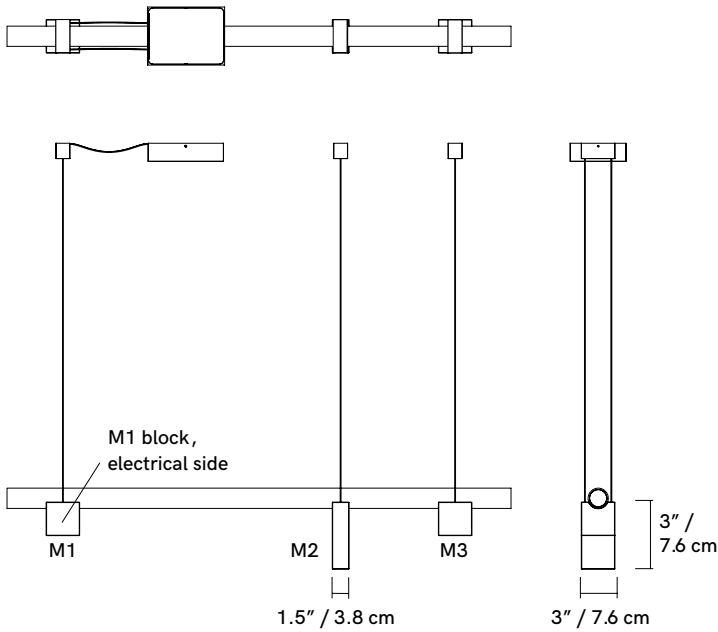
Red Negrais

WEIGHT

16.5 lb | 7.5 kg

CERTIFICATIONS

UL Listed | UKCA | CE | RoHS | IP20



Light Source & Voltage

Power consumption: 35W

Colour temperature: 3000K, 2700K, dim to warm 3000K to 2200K, dim to warm 2700K to 2200K

Lumen output: 2700K - 1877 lm

Colour rendering index: >90 CRI

Colour consistency: 3 SDCM

Expected lifetime: >50 000h

Control: 120/277V on/off, 0-10V, or phase dimming
220-240V: On/Off, Phase Dimming, DALI

Related Products



Isle 01A



Isle 03B