



Mewoma Oblong Table

PRODUCT NAME

Mewoma Oblong Table

DIMENSIONS

H: 74cm, L: 260/300cm, D: 110cm

GENERAL LEAD TIME

6 to 8 weeks

BRAND

La Chance

MATERIAL

Metal, Light Oak Veneer, Marble

CUSTOMISABLE

No

DESIGNER

Jonah Takagi

OPTIONS

L260cm / L300cm

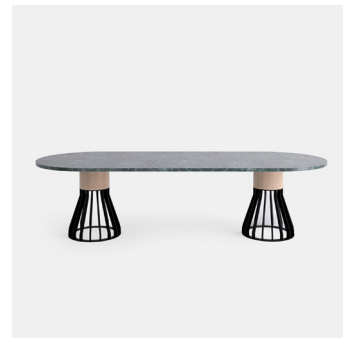
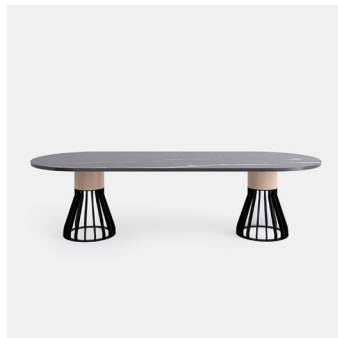
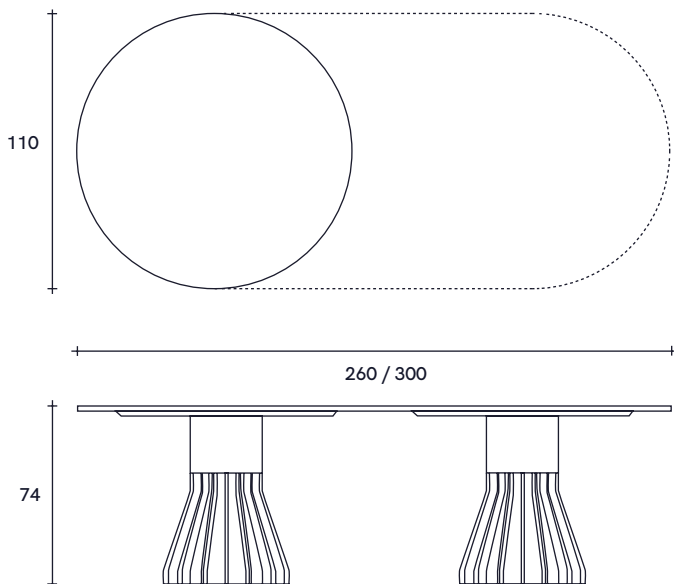
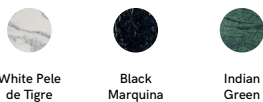
PACKING DIMENSIONS

310 x 130 x 30cm
95 x 95 x 80cm
90 x 90 x 5cm

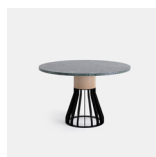
CATEGORY

Table INDOOR

FINISHES



Related Products



Mewoma Round

NEED MORE HELP?

If you require a quotation or more information about this product or brand, please get in touch with our team:

GENERAL ENQUIRIES
info@monologuelondon.com

CONTRACT ENQUIRIES
contracts@monologuelondon.com

ONLINE STORE
www.monologuelondon.com
@monologuelondon