



# Japan Armchair (1957)

PRODUCT NAME

Japan Armchair

DIMENSIONS

H: 78cm, L: 61cm, D: 70cm

GENERAL LEAD TIME

8 to 10 weeks

BRAND

House of Finn Juhl

MATERIAL

Wood, Upholstery

CUSTOMISABLE

Yes

DESIGNER

Finn Juhl

FINISHES



Walnut

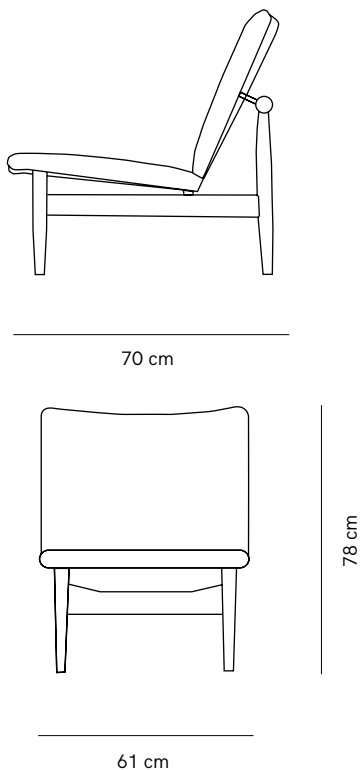
Oak

WEIGHT

20kg

CATEGORY

Armchair INDOOR



ADDITIONAL INFO **Fabric Options & Categories**

- Fabric gr. 1: Tonus 4, Remix 3, Mood, Re-Wool, Step, Front 2, Main Line Flax
- Fabric gr. 2: Hallingdal 65, Canvas 2, Divina 3, Tonica 2, Colline 2, Steelcut 2, Steelcut Trio 3, Rami, Rami Plus, Rime, Molly 2, Fiord 2, Foss
- Fabric gr. 3: Base, Moss, Safire, Sunniva 3, Clay, Divina Melange 3, Divina MD, Zero, Blans, Siksak, Halk
- Fabric gr. 4: Coda 2, Vidar 4, Balder 3, Gentle, Fuse, Pilot, Sonar 3, Karakorum, Ria, Silas, Nara
- Leather gr. 1: Prestige
- Leather gr. 2: Nevada
- Leather gr. 3: Montana, Cervo
- Leather gr. 4: Velvet, Shandilock Sheepskin, Elegance, Vegetal

Fabric usage 2m  
COM must be approved by House of Finn Juhl to ensure suitability for upholstery.

**Related Products**



Japan Sofa



Japan Footstool