



Suzenne Sofa

PRODUCT NAME

Suzenne

DIMENSIONS

H: 82cm, W: 148cm, D: 78cm

GENERAL LEAD TIME

8 to 10 weeks

BRAND

Gebrüder Thonet Vienna

MATERIAL

Bent Beech-Wood, Woven Cane, Upholstery

CUSTOMISABLE

Yes

DESIGNER

Chiara Andreatti

FINISHES



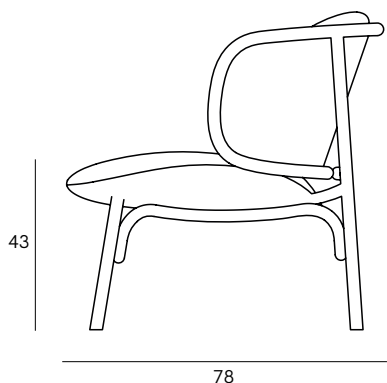
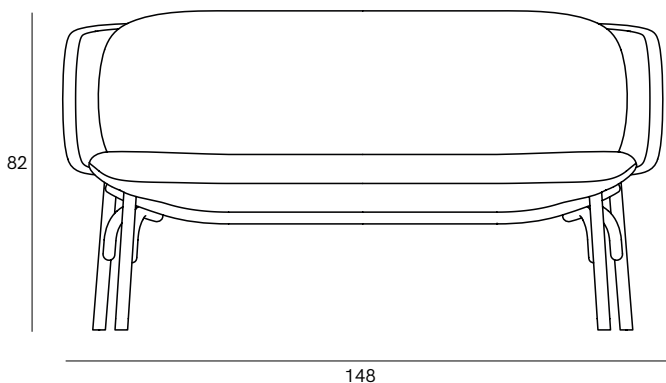
Black
C01

PACKING DIMENSIONS

100 x 160 x 85cm (35kg)

CATEGORY

Sofa **INDOOR**

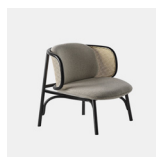


ADDITIONAL INFO Fabric Options & Categories

- Fabric Class A: Rivet, Main Line Flax, Synergy, Aspect, Liezen, Klagenfurt, Hallein, Eisenstadt
- Fabric Class B: IMST, Steyr, Bregenz, Hero, Merit, Molly 2, Revive, Remix 2, Re-Wool, Patio Outdoor
- Fabric Class C: Canvas 2, Divina 3, Divina MD, Divina Melange 3, Hallingdal 65, Harald 3, Raas, Safire, San, Skye, Steelcut Trio 3, Twill Weave, Vidar 3, Loro Piana, Tabularasa, Artemis, FR Sparks, Adamo&Eva, Proust
- Fabric Class D: Pelle di Poltrona Frau, Coda 2, Fuse, Noise, Funky Stripes, Splendido Splendente, Splendido, Abacus, Forget me Not, Patchwork, Highlights, Loro Piana
- Fabric Class E: Loro Piana, Pilot, Ria

Fabric usage 3mt linear x 140cm h/width
COM options must be approved by Gebruder Thonet Vienna to ensure suitability for upholstery.

Related Products



Suzenne Lounge Chair