

Grinza Bed

PRODUCT NAME

Grinza

DIMENSIONS

H: 110cm, L: 210cm, D: 235cm

GENERAL LEAD TIME

6 to 8 weeks

BRAND

Edra

MATERIAL

Metal, Expanded Polyurethane Foam, Leather, Scratch-Proof Floor, Coated Plywood Slatted Base

CUSTOMISABLE

No

DESIGNER

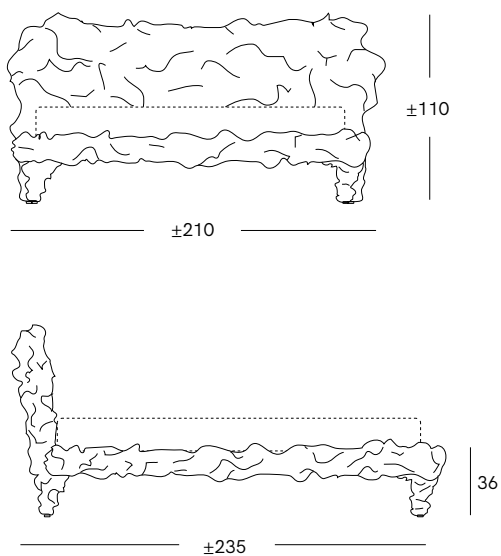
Fernando & Humberto Campana

CERTIFICATIONS

Made in Italy

CATEGORY

Bed INDOOR



Related Products



Grinza Lounge Chair