



LEK

PRODUCT NAME

LEK

BRAND

Collection Particulière

DESIGNER

Christophe Delcourt

CATEGORY

Sofa ^{INDOOR}

DIMENSIONS

Banquette 219 - H: 76cm, L: 219cm, D: 109cm
 Banquette 347 - H: 76cm, L: 347cm, D: 183cm
 Sofa 260 - H: 76cm, L: 260cm, D: 79cm
 Sofa 300 - H: 76cm, L: 300cm, D: 79cm

MATERIAL

Choice of Fabrics (Delcourt Textiles)

GENERAL LEAD TIME

8 to 10 weeks

CUSTOMISABLE

Yes

PACKING DIMENSIONS

N/A

CERTIFICATIONS

Made in France



ADDITIONAL INFO **Fabric Options & Categories**

Recommended Delcourt Collection Textiles:

- EDMUND
- ENDERS
- DUTTON
- EARLY

Fabric usage

219 x 109: 8ml / 347 x 183: 20ml / 260 x 79: 11ml / 300 x 79: 13ml

COM options must be approved by Collection Particuliere to ensure suitability for upholstery.

Related Products

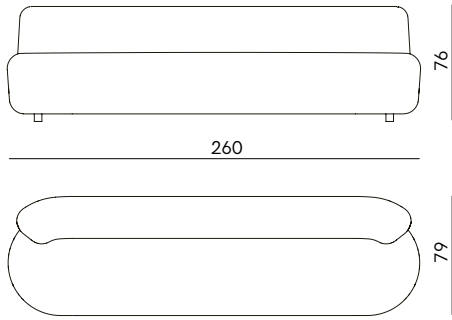


LEK Armchair

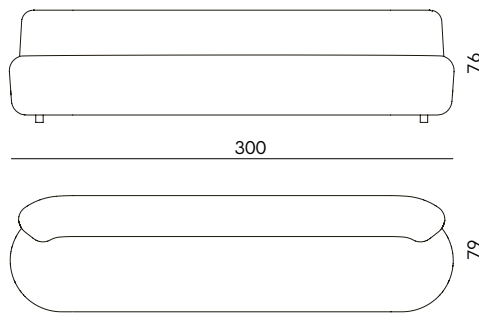


LEK

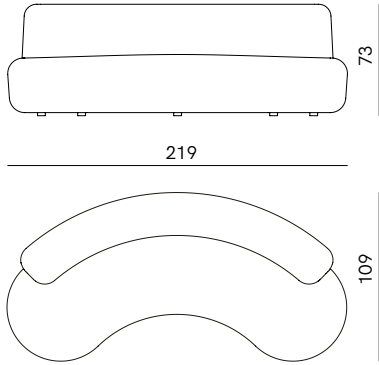
Sofa 260



Sofa 300



Banquette 219



Banquette 347

