

Ready Dining Chair

PRODUCT NAME

Ready Dining Chair

DIMENSIONS

H: 78cm, L: 47.5cm, D: 50cm

GENERAL LEAD TIME

6 to 8 weeks

BRAND

Audo

MATERIAL

Beech Wood, Oak Veneer, PA Plastic Glides, Foam, Upholstery

CUSTOMISABLE

Yes

DESIGNER

Matias Møllenbach & Nick Rasmussen

OPTIONS

Without Upholstery / Seat Upholstered / Front Upholstered

PACKING DIMENSIONS

92 x 60 x 51cm (6.4kg)

CATEGORY

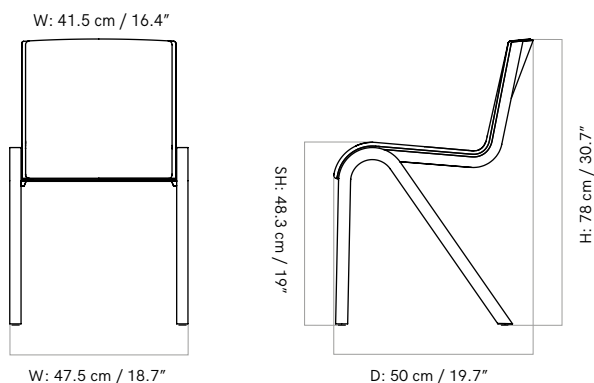
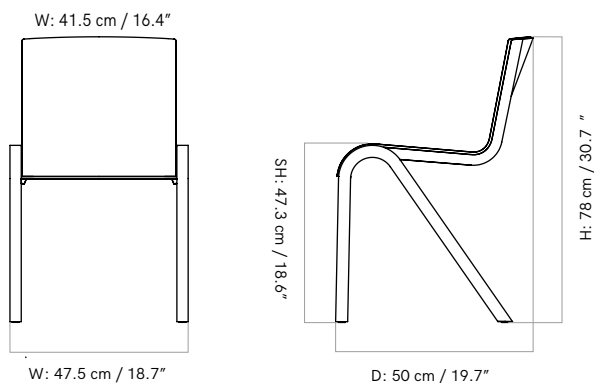
Chair INDOOR

FINISHES



CERTIFICATIONS

FSC Certified Wood



ADDITIONAL INFO Fabric Options & Categories

Textile

- Price Category 1: Barnum (Bouclé Audo), Champion (JAB), Hot Madison FR (JAB), Illusion (Nevotex), Maple (Kvadrat), Remix 3 (Kvadrat), Re-wool (Kvadrat)
- Price Category 2: Canvas 2 (Kvadrat), Clay (Sahco), Colline 2 (Kvadrat), Fiord 2 (Kvadrat), Hallingdal 65 (Kvadrat), Moss (Sahco), Steelcut 2, Steelcut Trio 3 (Kvadrat)
- Price Category 3: Safire (Sahco), Vidar 4 (Sahco)
- Price Category 4: Grand Mohair (Danish Art Weaving), Lupo (Dedar)

Leather

- Price Category 1: Dakar (Nevotex), Envy (Sorensen Leather), Ultra (Sorensen Leather)
- Price Category 2: Dunes (Sorensen Leather), Nuance (Sorensen Leather)
- Price Category 3: Royal Nubuck (Sorensen Leather)
- Price Category 4: Elegance (Sorensen Leather)

COM/COL options must be approved by Audo to ensure suitability for upholstery.