

Harbour Lounge Chair

PRODUCT NAME
Harbour Chair

DIMENSIONS
H: 80cm, SH: 43cm, L: 76cm, D: 70cm

GENERAL LEAD TIME
6 to 8 weeks

BRAND
Audo

MATERIAL
Oak or Walnut, Moulded HR Foam

CUSTOMISABLE
Yes

DESIGNER
Norm Architects

FINISHES



Natural
Oak



Dark Stained
Oak



Black Stained
Oak

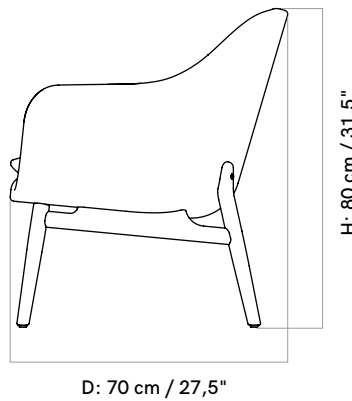
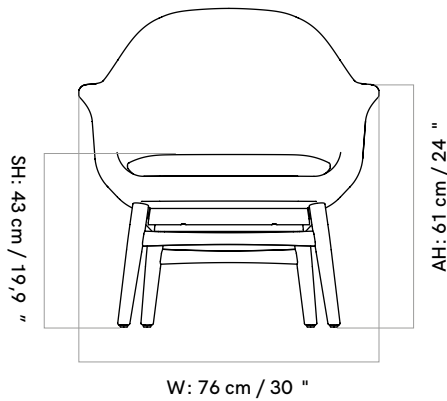


Walnut

PACKING DIMENSIONS
82 x 73 x 85cm (17kg)

CATEGORY
Lounge Chair INDOOR

CERTIFICATIONS
Crafted from FSC Certified Oak



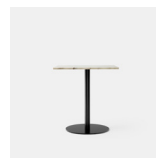
ADDITIONAL INFO Fabric Options & Categories

- Textile**
- Price Category 1: Barnum (Bouclé Audo), Champion (JAB), Hot Madison FR (JAB), Illusion (Nevotex), Maple (Kvadrat), Remix 3 (Kvadrat), Re-wool (Kvadrat)
 - Price Category 2: Canvas 2 (Kvadrat), Clay (Sahco), Colline 2 (Kvadrat), Fiord 2 (Kvadrat), Hallingdal 65 (Kvadrat), Moss (Sahco), Steelcut 2, Steelcut Trio 3 (Kvadrat)
 - Price Category 3: Safire (Sahco), Vidar 4 (Sahco)
 - Price Category 4: Grand Mohair (Danish Art Weaving), Lupo (Dedar)

- Leather**
- Price Category 1: Dakar (Nevotex), Envy (Sørensen Leather), Ultra (Sørensen Leather)
 - Price Category 2: Dunes (Sørensen Leather), Nuance (Sørensen Leather)
 - Price Category 3: Royal Nubuck (Sørensen Leather)
 - Price Category 4: Elegance (Sørensen Leather)

COM/COL options must be approved by Audo to ensure suitability for upholstery.

Related Products



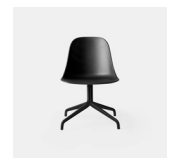
Harbour Column Table



Harbour Side Bar Chair



Harbour Side Chair



Harbour Side Chair Swivel