

# Brasilia Lounge Chair

**PRODUCT NAME**

**Brasilia**

**DIMENSIONS**

**H: 82cm, L: 96cm, D: 84cm**

**GENERAL LEAD TIME**

**6 to 8 weeks**

**BRAND**

**Audo**

**MATERIAL**

**Solid Oak, Walnut, Cold Cured Foam, Steel Tubes, Plywood, Upholstery**

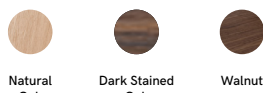
**CUSTOMISABLE**

**Yes**

**DESIGNER**

**Anderssen & Voll**

**FINISHES**



Natural Oak

Dark Stained Oak

Walnut

**CATEGORY**

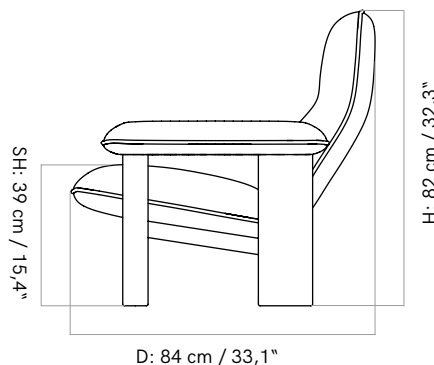
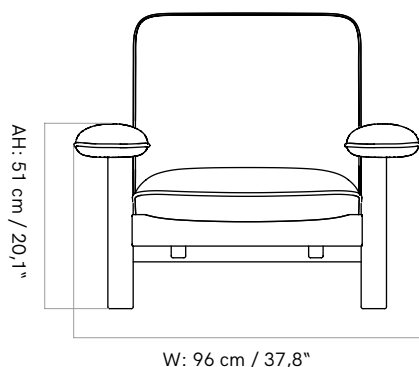
**Lounge Chair** INDOOR

**PACKING DIMENSIONS**

**103 x 90 x 87cm (25kg)**

**CERTIFICATIONS**

**TSCA Title IV Compliant  
Crafted from FSC Certified Oak**



**ADDITIONAL INFO Fabric Options & Categories**

**Textile**

- Price Category 1: Barnum (Bouclé Audo), Champion (JAB), Hot Madison FR (JAB), Illusion (Nevotex), Maple (Kvadrat), Remix 3 (Kvadrat), Re-wool (Kvadrat)
- Price Category 2: Canvas 2 (Kvadrat), Clay (Sahco), Colline 2 (Kvadrat), Fiord 2 (Kvadrat), Hallingdal 65 (Kvadrat), Moss (Sahco), Steelcut 2, Steelcut Trio 3 (Kvadrat)
- Price Category 3: Safire (Sahco), Vidar 4 (Sahco)
- Price Category 4: Grand Mohair (Danish Art Weaving), Lupo (Dedar)

**Leather**

- Price Category 1: Dakar (Nevotex), Envy (Sorensen Leather), Ultra (Sorensen Leather)
- Price Category 2: Dunes (Sorensen Leather), Nuance (Sorensen Leather)
- Price Category 3: Royal Nubuck (Sorensen Leather), Sheepskin (Nevotex)
- Price Category 4: Elegance (Sorensen Leather)

**Related Products**



**Brasilia Ottoman**