

Androgyne Round Dining Table

PRODUCT NAME

Androgyne Round Dining Table

BRAND

Audo

DESIGNER

Danielle Siggerud

CATEGORY

Dining Table INDOOR

DIMENSIONS

Ø120 - H: 73cm, Ø: 120cm
 Ø150 - H: 73cm, Ø: 150cm

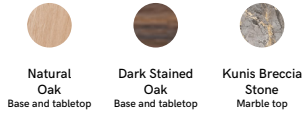
MATERIAL

Solid Wood, Veneer, MDF, Kunis Breccia Stone, Powder Coated Steel

OPTIONS

Table Top in Matching Colour (Ø120, Ø150) or Kunis Breccia Stone (Ø120)

FINISHES



GENERAL LEAD TIME

6 to 8 weeks

CUSTOMISABLE

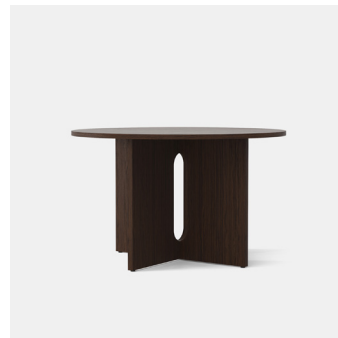
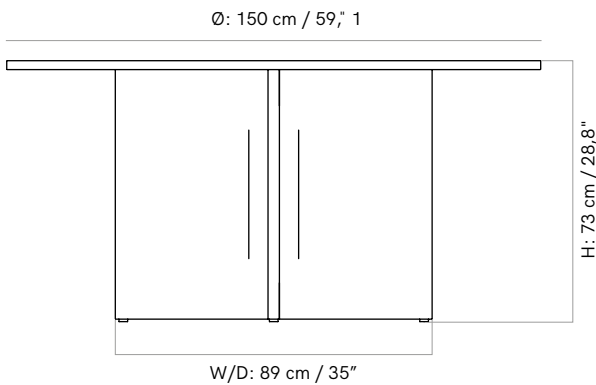
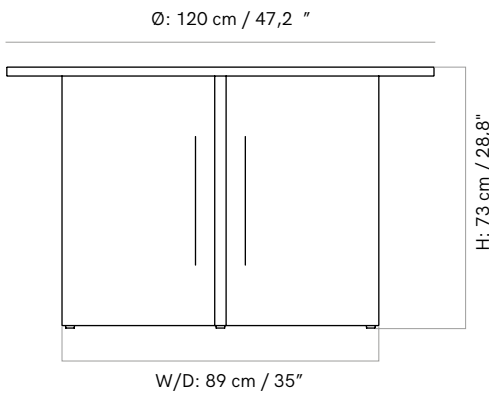
No

PACKING DIMENSIONS

See In Additional Info

CERTIFICATIONS

TSCA Title VI Compliant



Additional Info

Packing dimensions:

- Wood base: 7cm x 71.5cm x 99.9cm
- Wood table top:
 - Ø120 - 5.5cm x 121.5cm x 121.5cm
 - Ø150 - 5.5cm x 151.5cm x 151.5cm
- Kunis Breccia table top: Ø120 - 10cm x 130cm x 130cm

Related Products



Androgyne Lounge Table



Androgyne Side Table



Androgyne Coffee Table



Androgyne Dining Table - Rectangular