

Afterroom Stool

PRODUCT NAME

Afterroom Stool

DIMENSIONS

H: 46cm, Ø 45.3cm

GENERAL LEAD TIME

6 to 8 weeks

BRAND

Audo

MATERIAL

Powder Coated Steel, Painted MDF, CAL117 Foam, Upholstery

CUSTOMISABLE

Yes

DESIGNER

Afterroom

OPTIONS

Upholstered / Non-Upholstered

PACKING DIMENSIONS

49 x 40 x 40cm (3.5kg)

CATEGORY

Stool INDOOR

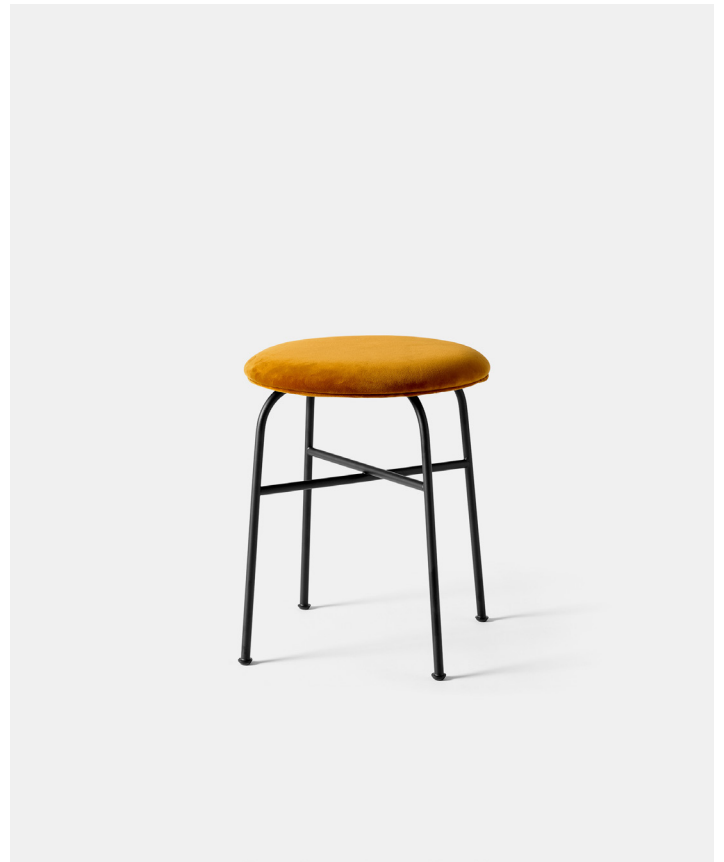
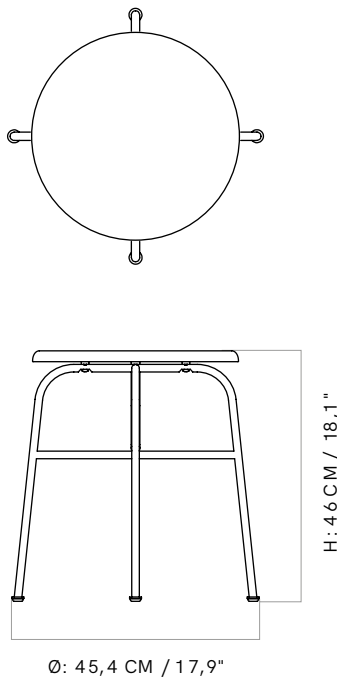
QUICK SHIP FINISHES



**Black Steel,
Black**

CERTIFICATIONS

TSCA Title VI Compliant



ADDITIONAL INFO **Fabric Options & Categories**

Textile

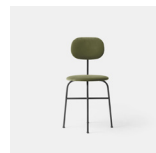
- Price Category 1: Barnum (Bouclé Audo), Champion (JAB), Hot Madison FR (JAB), Illusion (Nevotex), Maple (Kvadrat), Remix 3 (Kvadrat), Re-wool (Kvadrat)
- Price Category 2: Canvas 2 (Kvadrat), Clay (Sahco), Colline 2 (Kvadrat), Fiord 2 (Kvadrat), Hallingdal 65 (Kvadrat), Moss (Sahco), Steelcut 2, Steelcut Trio 3 (Kvadrat)
- Price Category 3: Safire (Sahco), Vidar 4 (Sahco)
- Price Category 4: Grand Mohair (Danish Art Weaving), Lupo (Dedar)

Leather

- Price Category 1: Dakar (Nevotex), Envy (Sorensen Leather), Ultra (Sorensen Leather)
- Price Category 2: Dunes (Sorensen Leather), Nuance (Sorensen Leather)
- Price Category 3: Royal Nubuck (Sorensen Leather)
- Price Category 4: Elegance (Sorensen Leather)

COM/COL options must be approved by Audo to ensure suitability for upholstery.

Related Products



**Afterroom Dining
Chair Plus**



Afterroom Bench



Afterroom Bar Chair



Afterroom Bar Stool