

# Afterroom Counter / Bar Stool

**PRODUCT NAME**

Afterroom Counter / Bar Stool

**DIMENSIONS**

Counter - H: 63.5cm, Ø 48cm  
Bar - H: 73.5cm, Ø 50cm

**GENERAL LEAD TIME**

6 to 8 weeks

**BRAND**

Audo

**MATERIAL**

Powder Coated Steel, Painted MDF, CAL117 Foam, Upholstery

**CUSTOMISABLE**

Yes

**DESIGNER**

Afterroom

**OPTIONS**

Upholstered / Non-Upholstered

**PACKING DIMENSIONS**

75.5 x 43.3 x 43.3cm (3.8kg)

**CATEGORY**

Bar Stool INDOOR

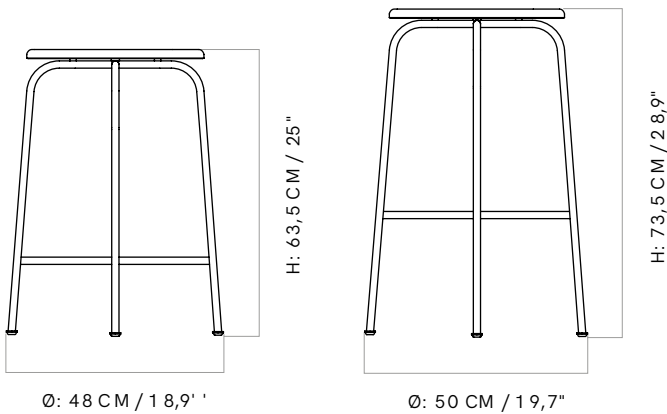
**QUICK SHIP FINISHES**



Black Steel,  
Black

**CERTIFICATIONS**

TSCA Title VI Compliant



**ADDITIONAL INFO Fabric Options & Categories**

**Textile**

- Price Category 1: Barnum (Bouclé Audo), Champion (JAB), Hot Madison FR (JAB), Illusion (Nevotex), Maple (Kvadrat), Remix 3 (Kvadrat), Re-wool (Kvadrat)
- Price Category 2: Canvas 2 (Kvadrat), Clay (Sahco), Colline 2 (Kvadrat), Fiord 2 (Kvadrat), Hallingdal 65 (Kvadrat), Moss (Sahco), Steelcut 2, Steelcut Trio 3 (Kvadrat)
- Price Category 3: Safire (Sahco), Vidar 4 (Sahco)
- Price Category 4: Grand Mohair (Danish Art Weaving), Lupo (Dedar)

**Leather**

- Price Category 1: Dakar (Nevotex), Envy (Sorensen Leather), Ultra (Sorensen Leather)
- Price Category 2: Dunes (Sorensen Leather), Nuance (Sorensen Leather)
- Price Category 3: Royal Nubuck (Sorensen Leather)
- Price Category 4: Elegance (Sorensen Leather)

COM/COL options must be approved by Audo to ensure suitability for upholstery.

**Related Products**



Afterroom Dining Chair Plus

Afterroom Bench

Afterroom Bar Chair

Afterroom Stool