

Sigmund

PRODUCT NAME

Sigmund

BRAND

Arflex

DESIGNER

Studio Asai

CATEGORY

Bench & Daybed ^{INDOOR}

DIMENSIONS

Bench - H: 46cm, L: 150cm, D: 45

Daybed - H: 61cm, L: 195cm, D: 80cm

MATERIAL

Metal, Shaped Polyurethane, Polyester, Satin Brass, Fabric (Fully Removable Cover), Leather

OPTIONS

Optional Roll Cushion

GENERAL LEAD TIME

8 to 10 weeks

CUSTOMISABLE

Yes

PACKING DIMENSIONS

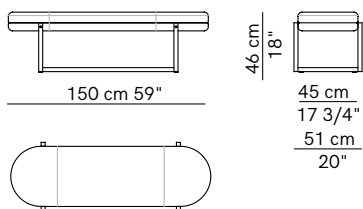
Bench - 26kg

Daybed - 53kg

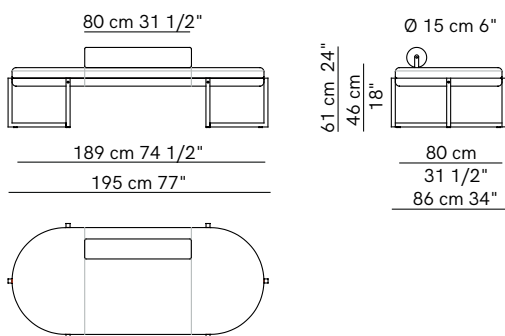
CERTIFICATIONS

N/A

Bench



Daybed



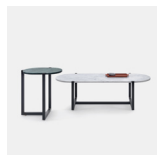
ADDITIONAL INFO **Fabric Options & Categories**

- T2: Cabas (No Piping), Derby, Etoile
- T3: Boucle (No Piping), Lama, Otis
- T4: Hero 2 by Kvadrat, Mistral (No Piping), Steelcut 3 by Kvadrat, Swing (No Piping)
- T5: Divina MD by Kvadrat, Chevy, Gamma, Vega (No Piping)
- N: Giada (No Piping)

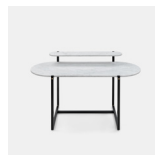
Fabric usage Bench - 5 mt / Bench with Cushion - 6 mt / Daybed - 7 mt / Daybed with Cushion - 8 mt

COM options must be approved by Arflex to ensure suitability for upholstery.

Related Products



Sigmund Side & Coffee Table



Sigmund Desk