



Pecorelle

PRODUCT NAME

Pecorelle

DIMENSIONS

H: 74cm, L: 91cm, D: 80cm

GENERAL LEAD TIME

8 to 10 weeks

BRAND

Arflex

MATERIAL

Metal, Poplar Plywood, Shaped Polyurethane, Polyester, Fabric (Fully Removable Cover)

CUSTOMISABLE

Yes

DESIGNER

Cini Boeri

OPTIONS

Accessory in Fur

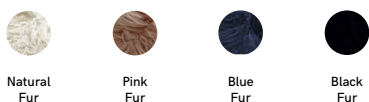
PACKING DIMENSIONS

33kg

CATEGORY

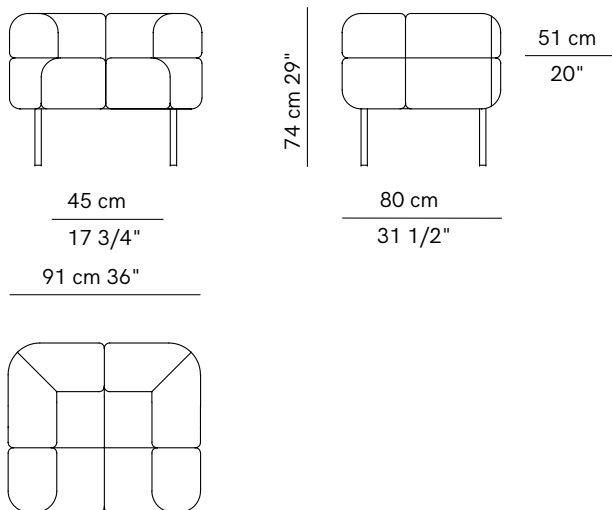
Armchair INDOOR

FINISHES (FUR)



CERTIFICATIONS

N/A



ADDITIONAL INFO **Fabric Options & Categories**

- T2: Cabas, Derby, Etoile
- T3: Boucle, Cherie, Lama
- T4: Hero 2 by Kvadrat, Mistral, Orbaco, Steelcut 3 by Kvadrat, Swing
- T5: Bridge, Divina MD by Kvadrat, Gamma, Vega

Fabric is combined with polyester and cotton fiber, in order to obtain a quilted cover.

Fabric usage 5 mt

COM options must be approved by Arflex to ensure suitability for upholstery.

Related Products



Pecorelle Sofa

NEED MORE HELP?

If you require a quotation or more information about this product or brand, please get in touch with our team:

GENERAL ENQUIRIES
info@monologuelondon.com

CONTRACT ENQUIRIES
contracts@monologuelondon.com

ONLINE STORE
www.monologuelondon.com
@monologuelondon