



Orfeo

PRODUCT NAME

Orfeo

DIMENSIONS

H: 92/102cm, L: 47cm, D: 60cm

GENERAL LEAD TIME

8 to 10 weeks

BRAND

Arflex

MATERIAL

Metal, Moulded Polyurethane Foam, Polyester, Fabric (Fully Removable Cover), Leather

CUSTOMISABLE

Yes

DESIGNER

Alberigo B. Belgiojoso

OPTIONS

Counter Chair / Bar Chair

WEIGHT

13kg

CATEGORY

Bar Chair INDOOR

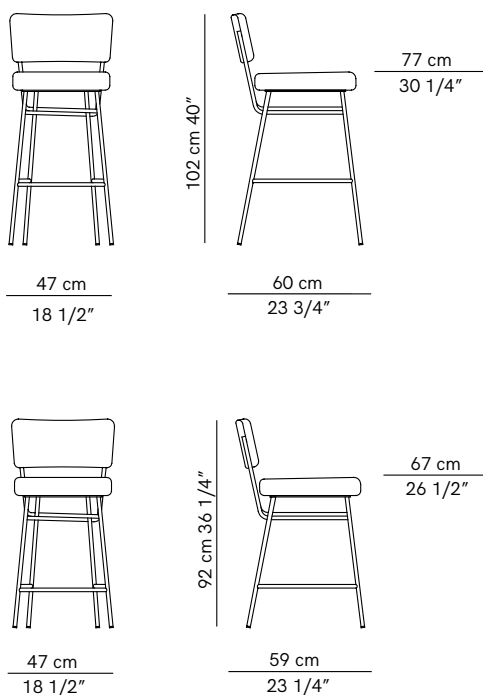
FINISHES



**Black
Lacquered
Metal**

CERTIFICATIONS

N/A



ADDITIONAL INFO **Fabric Options & Categories**

- T2: Cabas, Derby, Etoile
- T3: Boucle, Cherie, Lama
- T4: Hero 2 by Kvadrat, Mistral, Orbaco, Steelcut 3 by Kvadrat, Swing
- T5: Bridge, Divina MD by Kvadrat, Gamma, Vega
- N: Giada
- Super: Ametista, Perla

Fabric usage 1.5 mt
COM options must be approved by Arflex to ensure suitability for upholstery.