

Hollywood

PRODUCT NAME
Hollywood
DIMENSIONS
Depending on the composition
GENERAL LEAD TIME
8 to 10 weeks
BRAND
Arflex
MATERIAL
Metal, Poplar Plywood, Shaped Polyurethane, Polyester, Fabric (Fully Removable Cover), Leather
CUSTOMISABLE
Yes
DESIGNER
Claesson Koivisto Rune
FINISHES

**Gun Metal
Grey
Lacquered**
PACKING DIMENSIONS
N/A
CATEGORY
System Sofa INDOOR

CERTIFICATIONS
N/A

ADDITIONAL INFO Fabric Options & Categories

- T2: Cabas, Derby, Etoile
- T3: Boucle, Cherie, Lama, Otis
- T4: Hero 2 by Kvadrat, Mistral, Steelcut 3 by Kvadrat, Swing
- T5: Bridge, Divina MD by Kvadrat
- N: Giada, Ambra, Rubino
- Super: Perla, Ametista

COM options must be approved by Arflex to ensure suitability for upholstery.

MONOLOGUE
NEED MORE HELP?

If you require a quotation or more information about this product or brand, please get in touch with our team:

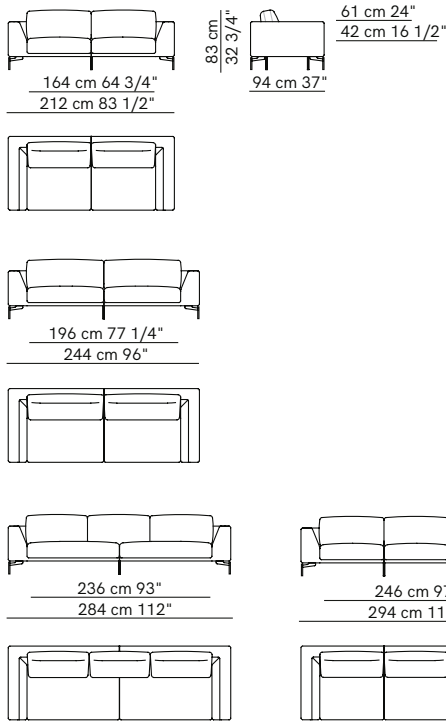
GENERAL ENQUIRIES
info@monologuelondon.com

CONTRACT ENQUIRIES
contracts@monologuelondon.com

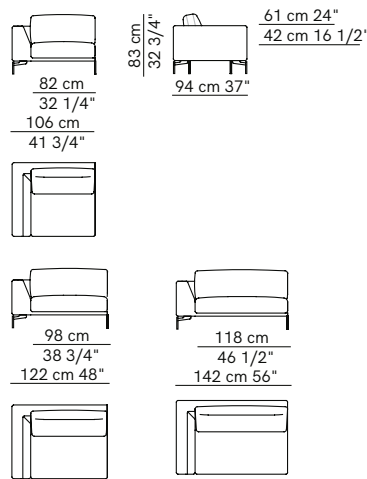
ONLINE STORE
www.monologuelondon.com
@monologuelondon

Hollywood

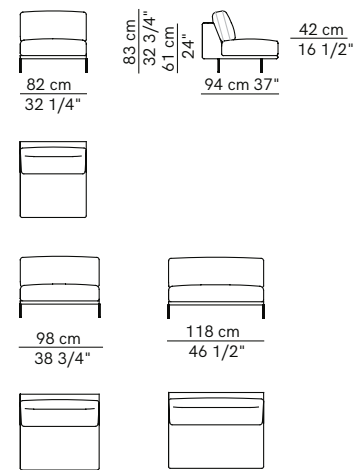
Sofas



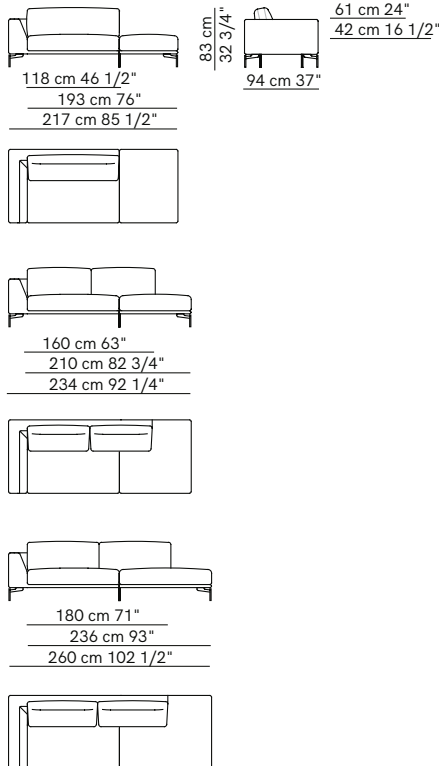
Units with 1 armrest



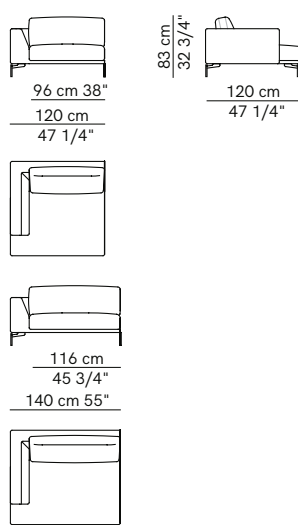
Units without armrests



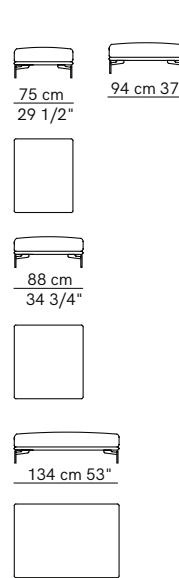
Isle units with corner unit



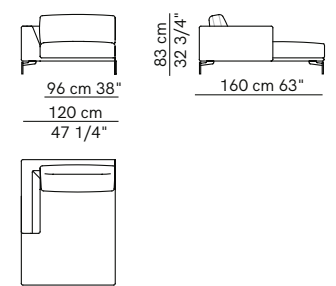
Units with 1 armrest D.120



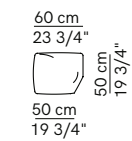
Pouf



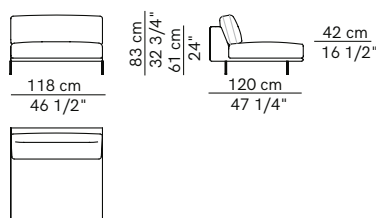
Chaise longue with 1 armrest



Corner cushion

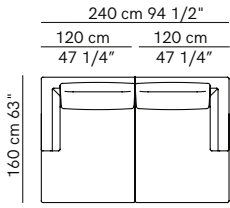


Unit without armrests D.120

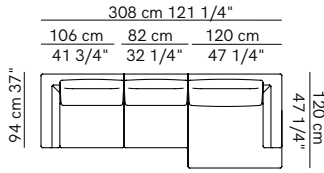


Hollywood

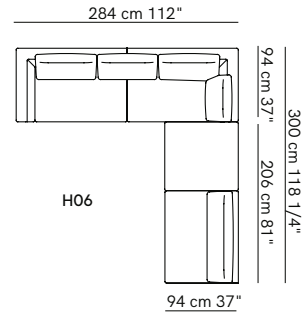
Compositions



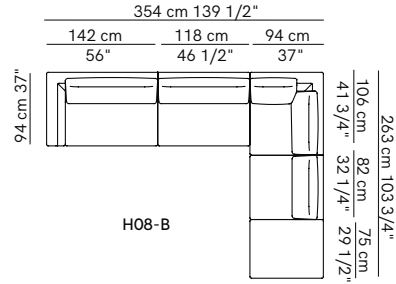
H02-B



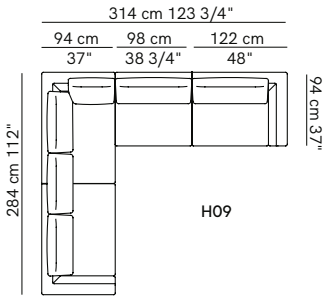
H04



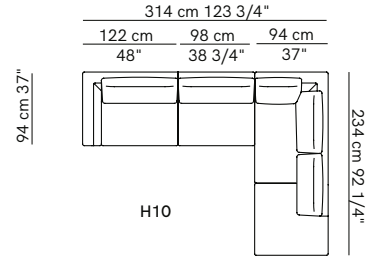
H06



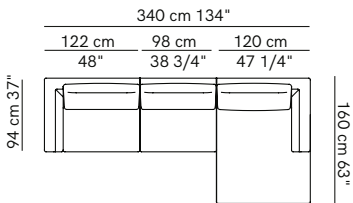
H08-B



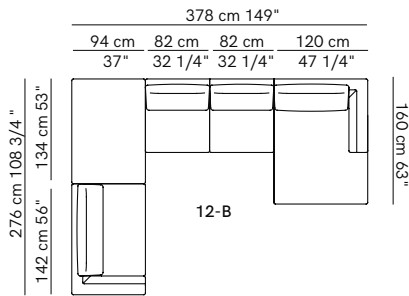
H09



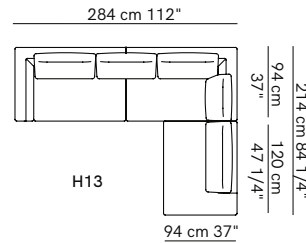
H10



H11H



12-B



H13