

Fiorenza

PRODUCT NAME

Fiorenza

DIMENSIONS

H: 103cm, L: 73cm, D: 92cm

GENERAL LEAD TIME

8 to 10 weeks

BRAND

Arflex

MATERIAL

Solid Fir Wood, Shaped Polyurethane, Polyester, Walnut, Beech, Fabric, Leather

CUSTOMISABLE

Yes

DESIGNER

Franco Albini

FINISHES (BASE)



WEIGHT

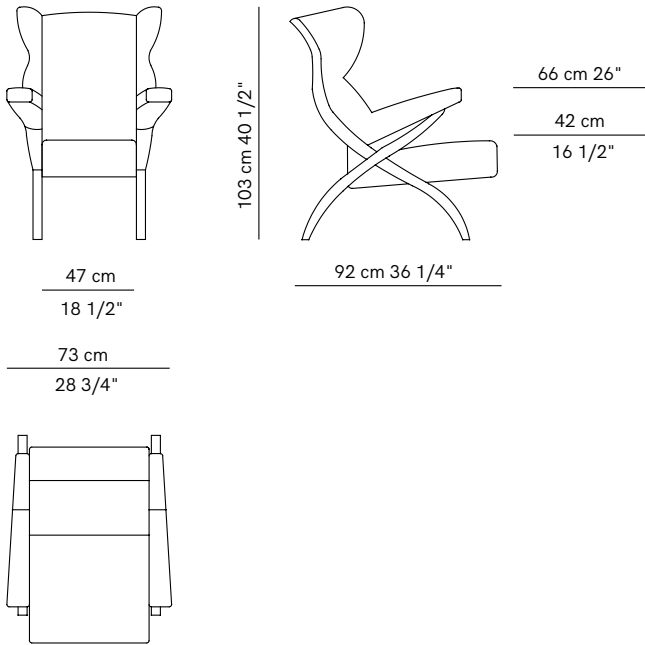
29kg

CATEGORY

Armchair INDOOR

CERTIFICATIONS

N/A



ADDITIONAL INFO **Fabric Options & Categories**

- T2: Cabas, Etoile
- T3: Boucle, Cherie, Lama
- T4: Hero 2 by Kvadrat, Mistral, Orbaco, Steelcut 3 by Kvadrat
- T5: Bridge, Divina MD by Kvadrat, Gamma, Vega
- N: Giada
- Super: Ametista, Perla

Fabric usage 4.5meter
COM options must be approved by Arflex to ensure suitability for upholstery.