

# Cradle Armchair

**PRODUCT NAME**

**Cradle**

**DIMENSIONS**

**H: 76cm, L: 100cm, D: 82cm**

**GENERAL LEAD TIME**

**8 to 10 weeks**

**BRAND**

**Arflex**

**MATERIAL**

**Moulded Polyurethane Foam, Polyester, Leather, Lacquered Metal, Stained Ash**

**CUSTOMISABLE**

**Yes**

**DESIGNER**

**Neri&Hu**

**OPTIONS**

**Standard / Armrest Kit / "Love Cushion"**

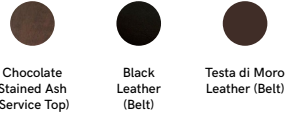
**PACKING DIMENSIONS**

**38kg**

**CATEGORY**

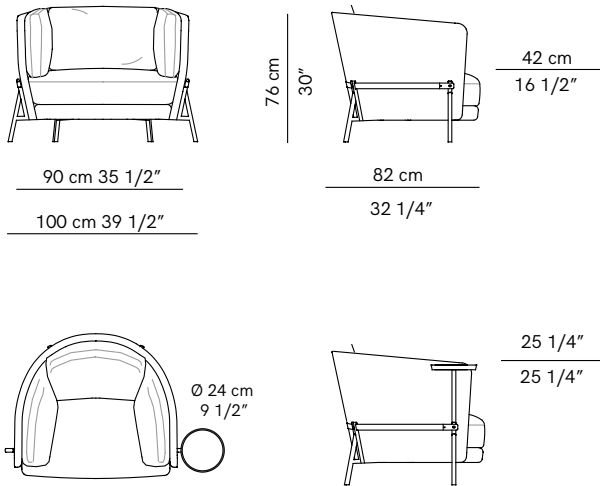
**Armchair** INDOOR

**FINISHES**



**CERTIFICATIONS**

**N/A**

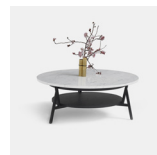


**ADDITIONAL INFO Fabric Options & Categories**

- T2: Cabas, Derby, Etoile
- T3: Boucle, Cherie, Lama
- T4: Hero 2 by Kvadrat, Orbaco, Steelcut 3 by Kvadrat, Swing
- T5: Bridge, Divina MD by Kvadrat, Gamma

Fabric usage Standard - 7mt / Armrests Kit - 1.5mt / "Love Cushion" Version - 7.5mt  
COM options must be approved by Arflex to ensure suitability for upholstery.

**Related Products**



**Cradle Table**



**Cradle Sofa**