



Botolo

PRODUCT NAME

Botolo

BRAND

Arflex

DESIGNER

Cini Boeri

CATEGORY

Chair INDOOR

DIMENSIONS

Low - H: 50cm, L: 53cm, D: 53cm
 High - H: 75cm, L: 53cm, D: 53cm

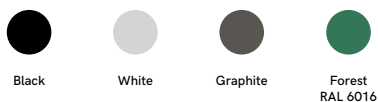
MATERIAL

Metal, Moulded Polyurethane Foam, Fabric or Fur (Fully Removable Cover)

OPTIONS

Fabric or Fur

FINISHES



GENERAL LEAD TIME

8 to 10 weeks

CUSTOMISABLE

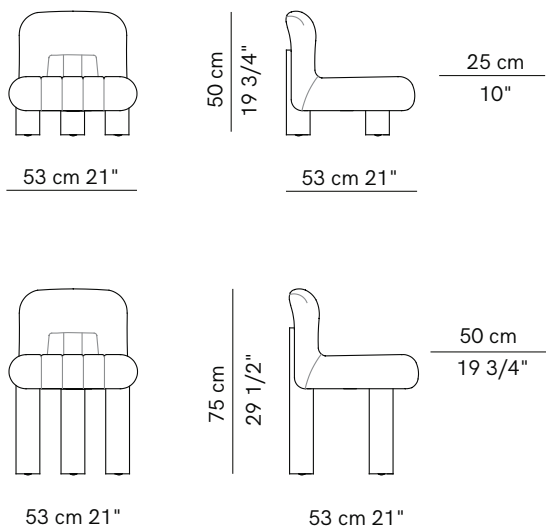
Yes

WEIGHT

Low - 0.30^{m/3} 15 kg
 High - 0.30^{m/3} 19 kg

CERTIFICATIONS

N/A



ADDITIONAL INFO **Fabric Options & Categories**

- T2: Cabas, Derby, Etoile
- T3: Boucle, Cherie, Lama
- T4: Hero 2 by Kvadrat, Mistral, Orbaco, Steelcut 3 by Kvadrat, Swing
- T5: Chevy, Divina MD by Kvadrat, Gamma, Vega

Leather version not available.

Fabric usage 2 meters

COM options must be approved by Arflex to ensure suitability for upholstery.