

# Tripod HM9

PRODUCT NAME  
**Tripod HM9**

DIMENSIONS  
**H: 45cm, W: 26cm, D: 31cm**

CONTROL  
**On/Off Switch**

BRAND  
**AndTradition**

MATERIAL  
**Lacquered Metal, Lacquered Brass, Fabric Cord**

GENERAL LEAD TIME  
**2 to 3 weeks**

DESIGNER  
**Hvidt & Molgaard**

FINISHES  
**Black**

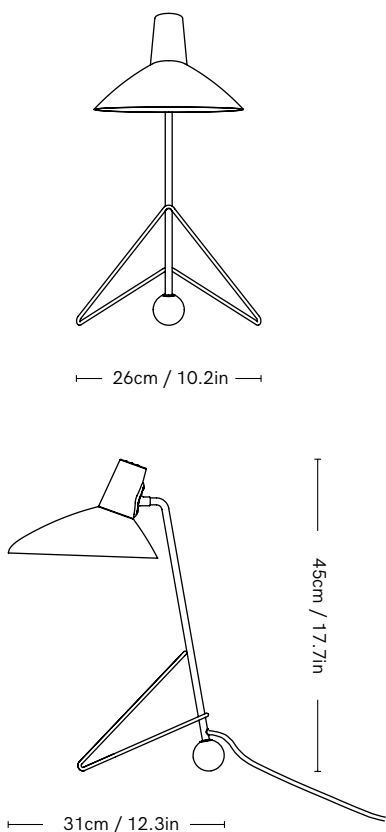
CUSTOMISABLE  
**No**

CATEGORY  
**Table Lamp <sup>INDOOR</sup>**

LIGHT SOURCE & VOLTAGE  
**E14 Max 25 Watt**

PACKING DIMENSIONS  
**H: 30 x 51 x 28cm**

CERTIFICATIONS  
**CE, IP20, Class II**



## Related Products



Tripod HM8