



# Rely HW55-HW57

**PRODUCT NAME**

Rely HW55-HW57

**DIMENSIONS**

H: 79cm, L: 66cm, D: 66cm

**GENERAL LEAD TIME**

6 to 8 weeks

**BRAND**

AndTradition

**MATERIAL**

Recycled Polypropylene, Fibre Glass, CMHR Foam, Upholstery, Cast Aluminium with Gaslift and Castors

**CUSTOMISABLE**

Yes

**DESIGNER**

Hee Welling

**OPTIONS**

HW55 - Upholstered Shell / HW56 - Upholstered Shell with Seat Cushion  
HW57 - Upholstered Shell with Mixed Seat Upholstery

**PACKING DIMENSIONS**

H: 82 x 68 x 68cm (16kg)

**CATEGORY**

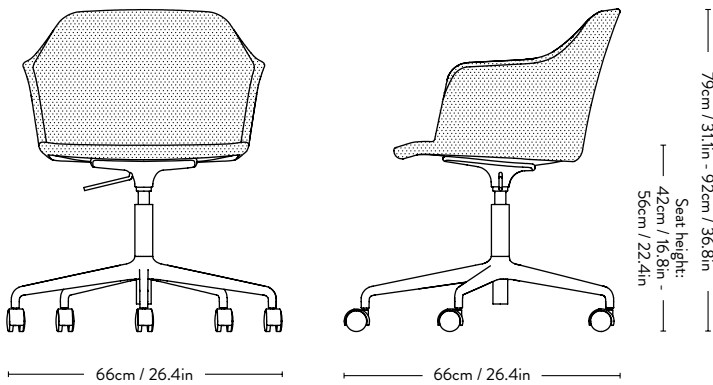
Desk Chair INDOOR

**BASE FINISHES**



**CERTIFICATIONS**

Tested for strength, durability and safety according to EN 16139 Level 2 - Extreme use.



**ADDITIONAL INFO Fabric Options & Categories**

- Fabric gr. 1: Remix, Re-Wool
- Fabric gr. 2: Canvas, Barnum, Fiord, Hot Madison FR
- Fabric gr. 3: Clay, Hallingdal, Steelcut Quartet, Steelcut Trio
- Fabric gr. 4: Ecriture, Moss, Uniform Melange, Vidar
- Fabric gr. 5: Acca, Cifrado, Karakorum, Sisu
- Fabric gr. 6: Fuse, Gentle
- Leather gr. 1: Tailor Semi-Aniline leather
- Leather gr. 2: Noble Aniline leather
- Leather gr. 3: Elmosoft Semi-Aniline leather

Fabric usage HW55: 1.5 meters based on a 140cm roll / HW56: 2.3 m / HW57: 1.5 + 0.77 m  
Leather usage HW55: 2.64 square meters / HW56: 3.4 sqm / HW57: 2.64 + 0.77 sqm

COM options must be approved by &Tradition to ensure suitability for upholstery.

**Related Products**



Rely HW6



Rely HW7



Rely HW22



Rely HW26

**NEED MORE HELP?**

If you require a quotation or more information about this product or brand, please get in touch with our team:

GENERAL ENQUIRIES  
info@monologuelondon.com

CONTRACT ENQUIRIES  
contracts@monologuelondon.com

ONLINE STORE  
www.monologuelondon.com  
@monologuelondon