



Pavilion AV5 / AV6 / AV11

PRODUCT NAME

Pavilion AV5 / AV6 / AV11

DIMENSIONS

H: 70cm, L: 69cm, D: 65cm

GENERAL LEAD TIME

6 to 8 weeks

BRAND

AndTradition

MATERIAL

Black Powder Coated Steel, Formpressed Veneer, CMHR Foam

CUSTOMISABLE

Yes

DESIGNER

Anderssen & Voll

OPTIONS

AV5 - Non Upholstered / AV6 - Upholstered Seat / AV11 - Upholstered Seat and Backrest

PACKING DIMENSIONS

H: 89 x 55 x 55cm (8kg)

CATEGORY

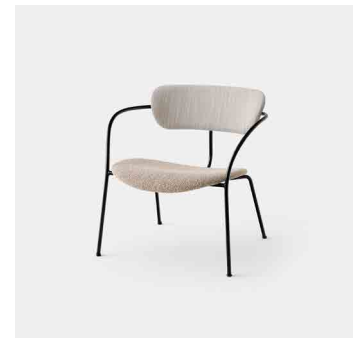
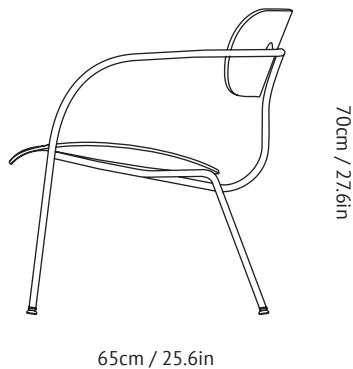
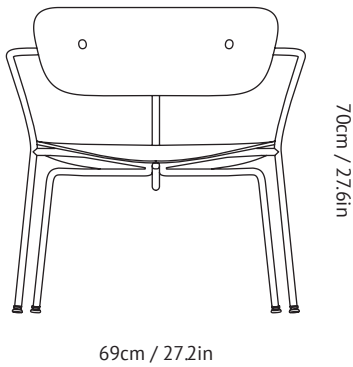
Lounge Chair INDOOR

FINISHES



CERTIFICATIONS

Tested for strength, durability and safety according to EN 16139 Level 2 - Extreme use.



ADDITIONAL INFO Fabric Options & Categories

- Fabric gr. 1: Remix, Re-Wool
- Fabric gr. 2: Canvas, Barnum, Fiord, Hot Madison FR
- Fabric gr. 3: Clay, Hallingdal, Steelcut Quartet, Steelcut Trio
- Fabric gr. 4: Ecriture, Moss, Uniform Melange, Vidar
- Fabric gr. 5: Acca, Cifrado, Karakorum, Sisu
- Fabric gr. 6: Fuse, Gentle
- Leather gr. 1: Tailor Semi-Aniline leather
- Leather gr. 2: Noble Aniline leather
- Leather gr. 3: Elmosoft Semi-Aniline leather

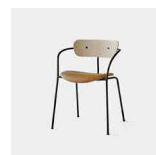
Fabric usage AV6: 0.64 meters based on 140cm roll / AV11: 1 meter
Leather usage AV6: 0.64 square meters / AV11 is not available in leather

COM options must be approved by &Tradition to ensure suitability for upholstery.

Related Products



Pavilion AV1



Pavilion AV4



Pavilion AV7



Pavilion AV9