

In Between SK1 / SK2

PRODUCT NAME

In Between SK1 / SK2

DIMENSIONS

H: 77cm, L: 58cm, D: 54cm

GENERAL LEAD TIME

**SK1 - 2 to 3 weeks
SK2 - 6 to 8 weeks**

BRAND

AndTradition

MATERIAL

Solid Wood, Formpressed Veneer, CMHR Foam, Upholstery

CUSTOMISABLE

Yes

DESIGNER

Sami Kallio

OPTIONS

SK1 - Non Upholstered / SK2 - Upholstered

PACKING DIMENSIONS

**SK1 - 95 x 72 x 60cm (14.5kg)
SK2 - 80 x 56 x 60cm (14.5kg)**

CATEGORY

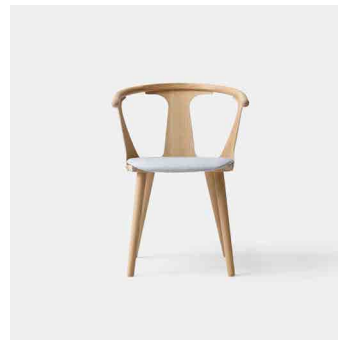
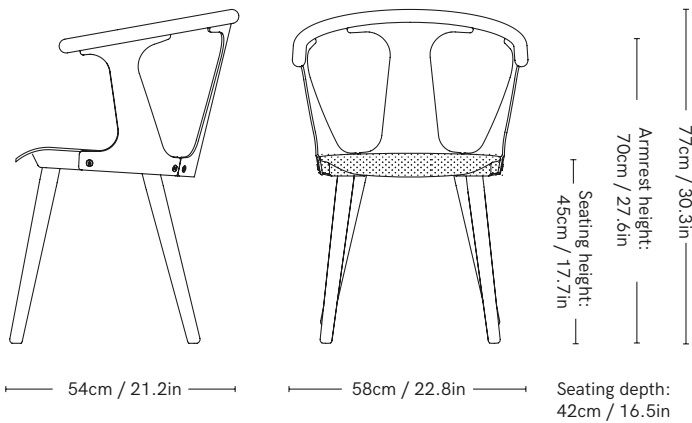
Chair INDOOR

FINISHES



CERTIFICATIONS

Tested for strength, durability and safety according to EN 15373 Level 2 - General contract use.



ADDITIONAL INFO Fabric Options & Categories

- Fabric gr. 1: Remix, Re-Wool
- Fabric gr. 2: Canvas, Barnum, Fiord, Hot Madison FR
- Fabric gr. 3: Clay, Hallingdal, Steelcut Quartet, Steelcut Trio
- Fabric gr. 4: Ecriture, Moss, Uniform Melange, Vidar
- Fabric gr. 5: Acca, Cifrado, Karakorom, Sisu
- Fabric gr. 6: Fuse, Gentle
- Leather gr. 1: Tailor Semi-Aniline leather
- Leather gr. 2: Noble Aniline leather
- Leather gr. 3: Elmosoft Semi-Aniline leather

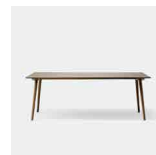
Fabric usage 0.36 meter based on a 140 cm roll / Leather usage 0.36 square meter

COM options must be approved by &Tradition to ensure suitability for upholstery.

Related Products



In Between SK3



In Between SK5



In Between SK7



In Between SK10