

In Between SK13/SK14/SK15

PRODUCT NAME

In Between SK13/SK14/SK15

BRAND

AndTradition

DESIGNER

Sami Kallio

CATEGORY

Coffee Table INDOOR

DIMENSIONS

SK13 - H: 48cm, Ø: 48cm
 SK14 - H: 40cm, Ø: 60cm
 SK15 - H: 48cm, Ø: 90cm

MATERIAL

Solid Wood

OPTIONS

SK13 / SK14 / SK15

FINISHES



GENERAL LEAD TIME

2 to 3 weeks

CUSTOMISABLE

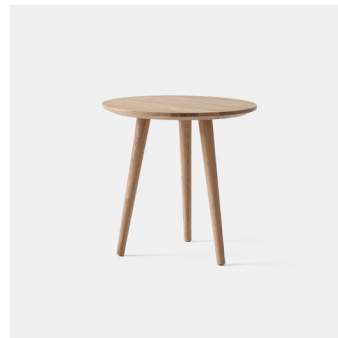
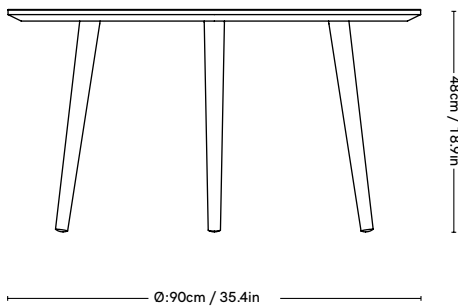
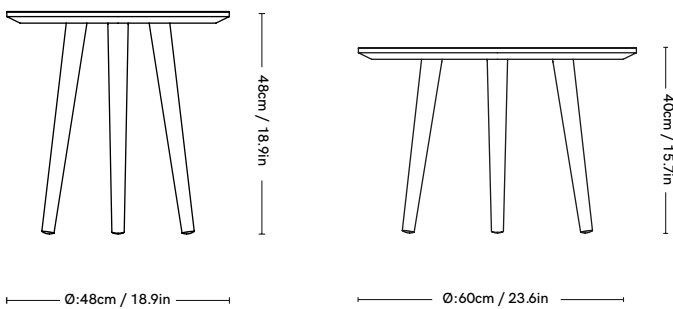
No

PACKING DIMENSIONS

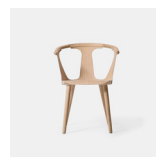
SK13 - 7 x 63 x 63cm
 SK14 - 7 x 75 x 75cm
 SK15 - 7 x 105 x 105cm

CERTIFICATIONS

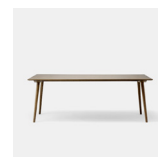
FSC Mix Certified Wood



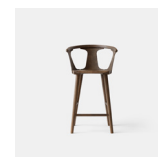
Related Products



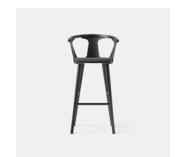
In Between SK1



In Between SK5



In Between SK7



In Between SK10

NEED MORE HELP?

If you require a quotation or more information about this product or brand, please get in touch with our team:

GENERAL ENQUIRIES
info@monologuelondon.com

CONTRACT ENQUIRIES
contracts@monologuelondon.com

ONLINE STORE
www.monologuelondon.com
 @monologuelondon