

Elefy JH30 / JH31

PRODUCT NAME

Elefy JH30 / JH31

DIMENSIONS

H: 77cm, L: 57.5cm, D: 58cm

GENERAL LEAD TIME

6 to 8 weeks

BRAND

AndTradition

MATERIAL

Polypropylene, CMHR Foam, Walnut, Oak, Upholstery

CUSTOMISABLE

Yes

DESIGNER

Jaime Hayon

OPTIONS

JH30 - Black, White, Soft Beige, Midnight Blue, Copper Brown
 JH31 - Available in Fabric, Leather and COM

PACKING DIMENSIONS

H: 83 x 59 x 59cm (12kg)

CATEGORY

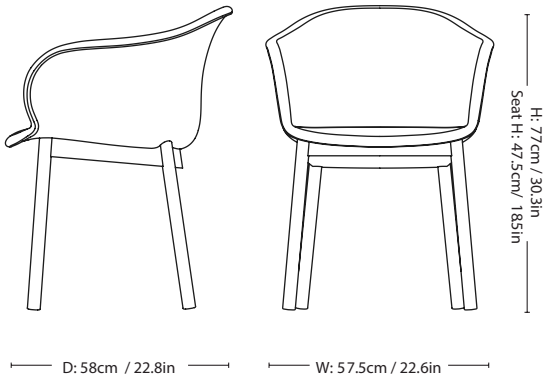
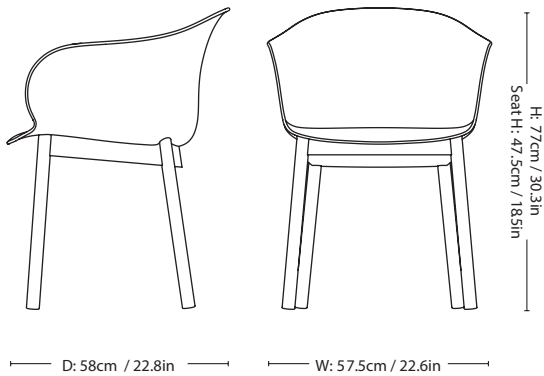
Chair **INDOOR**

FINISHES



CERTIFICATIONS

Tested for strength, durability and safety according to EN 16139 Level 2 - Extreme use.



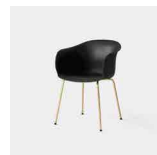
ADDITIONAL INFO Fabric Options & Categories

- Fabric gr. 1: Remix, Re-Wool
- Fabric gr. 2: Canvas, Barnum, Fiord, Hot Madison FR
- Fabric gr. 3: Clay, Hallingdal, Steelcut Quartet, Steelcut Trio
- Fabric gr. 4: Ecriture, Moss, Uniform Melange, Vidar
- Fabric gr. 5: Acca, Cifrado, Karakorum, Sisu
- Fabric gr. 6: Fuse, Gentle
- Leather gr. 1: Tailor Semi-Aniline leather
- Leather gr. 2: Noble Aniline leather
- Leather gr. 3: Elmosoft Semi-Aniline leather

Fabric usage 1.7 meters based on 140cm roll / Leather usage 3 square meters

COM options be approved by &Tradition to ensure suitability for upholstery.

Related Products



Elefy JH28



Elefy JH29



Elefy JH33



Elefy JH37