

Boomerang HM1 / HM2

PRODUCT NAME

Boomerang HM1 / HM2

BRAND

AndTradition

DESIGNER

Hvidt & Molgaard

CATEGORY

Lounge Chair INDOOR

DIMENSIONS

HM1 - H: 80cm, L: 61cm, D: 69cm
 HM2 - H: 80cm, L: 69cm, D: 69cm

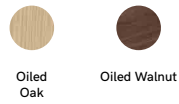
MATERIAL

Solid Wood, CMHR Foam, Polyester Wadding, Upholstery, Brass or Stainless Steel Base

OPTIONS

With Armrests (HM1) / Without Armrests (HM2)

FINISHES



GENERAL LEAD TIME

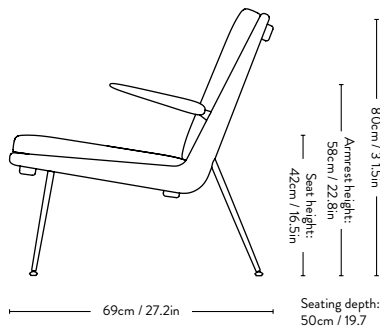
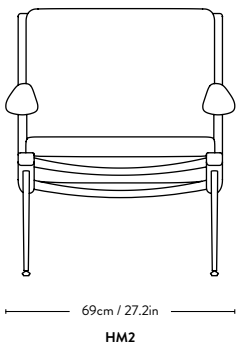
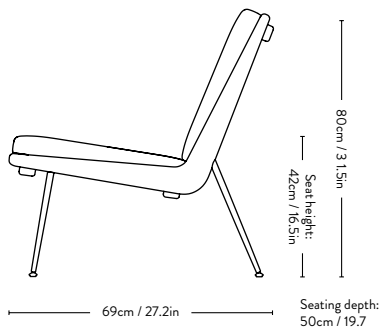
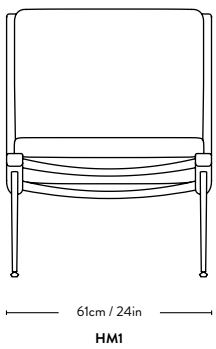
6 to 8 weeks

CUSTOMISABLE

Yes

PACKING DIMENSIONS

Frame - H: 81 x 79 x 80cm
 Cushions - H: 11 x 58 x 58cm
 (12kg)



ADDITIONAL INFO **Fabric Options & Categories**

- Fabric gr. 1: Remix, Re-Wool
- Fabric gr. 2: Canvas, Barnum, Fiord, Hot Madison FR
- Fabric gr. 3: Clay, Hallingdal, Steelcut Quartet, Steelcut Trio
- Fabric gr. 4: Ecriture, Moss, Uniform Melange, Vidar
- Fabric gr. 5: Acca, Cifrado, Karakorum, Sisu
- Fabric gr. 6: Fuse, Gentle

Fabric usage 2 meters based on a 140cm roll.
 Leather usage HM1 and HM2 are not available in leather.

COM options must be approved by &Tradition to ensure suitability for upholstery.