

# Betty TK2

PRODUCT NAME

Betty TK2

DIMENSIONS

H: 77cm, L: 51cm, D: 48cm

GENERAL LEAD TIME

2 to 3 weeks

BRAND

AndTradition

MATERIAL

Solid Wood, Veneer

CUSTOMISABLE

No

DESIGNER

Thau & Kallio

FINISHES

Lacquered Solid Wood, Formpressed Veneer

PACKING DIMENSIONS

2 Pieces: 86 x 53.2 x 51.7cm (7.5kg)

CATEGORY

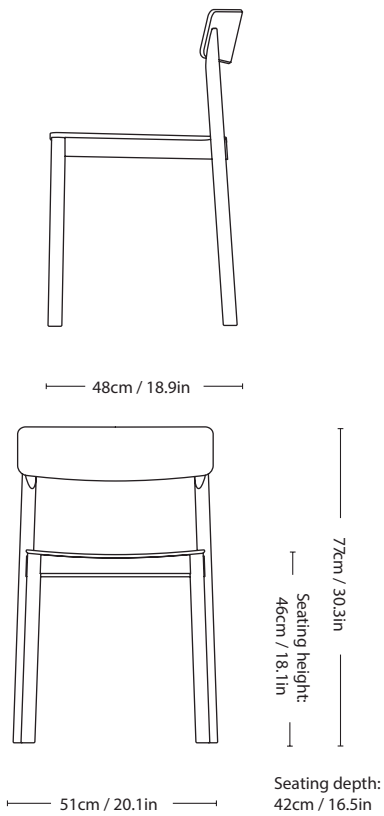
Chair INDOOR

OPTIONS



CERTIFICATIONS

FSC Mix Certified Wood



### Related Products



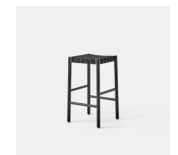
Betty TK1



Betty TK10



Betty TK4/TK5



Betty TK7/TK8