



Betty TK1

PRODUCT NAME

Betty TK1

DIMENSIONS

H: 77cm, L: 51cm, D: 48cm

GENERAL LEAD TIME

2 to 3 weeks

BRAND

AndTradition

MATERIAL

Solid Wood, Veneer, Linen

CUSTOMISABLE

No

DESIGNER

Thau & Kallio

FINISHES

Lacquered Solid Wood and Formpressed Veneer with Linen Webbing

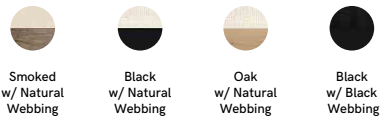
PACKING DIMENSIONS

2 Pieces: 86 x 53.2 x 51.7cm (17kg)

CATEGORY

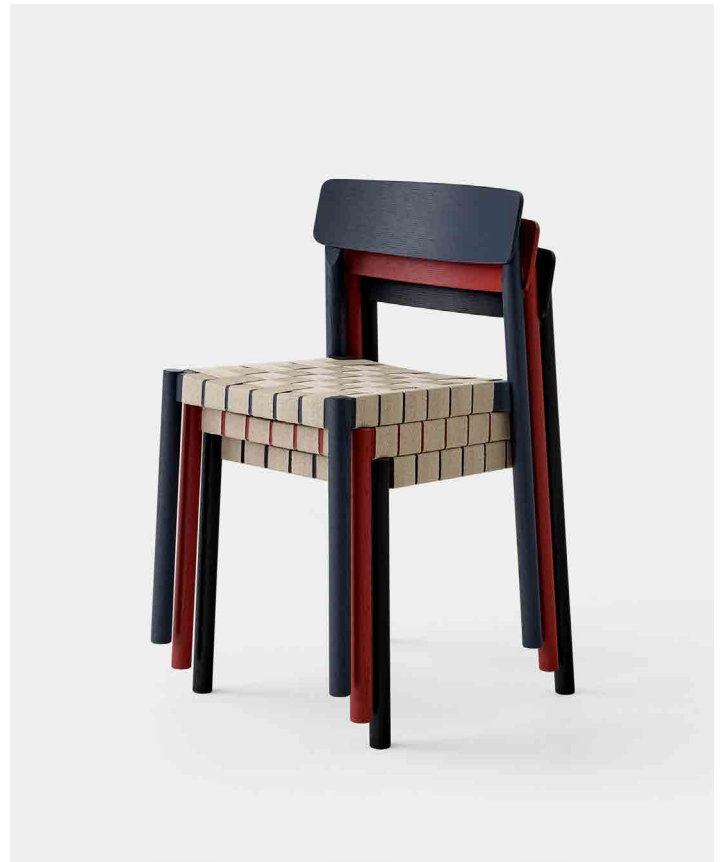
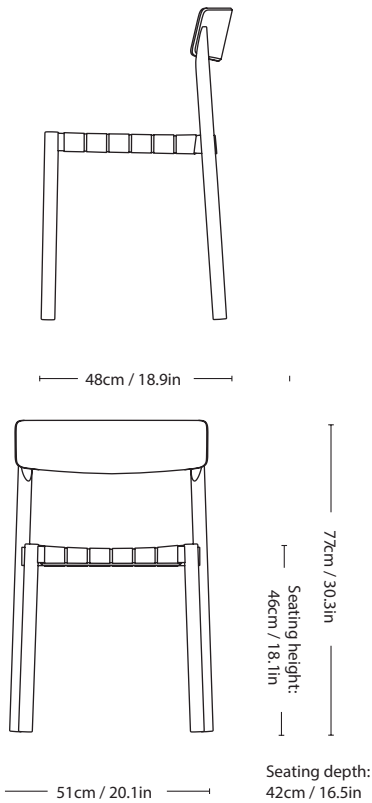
Chair INDOOR

OPTIONS



CERTIFICATIONS

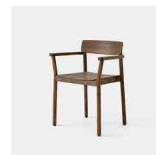
FSC Mix Certified Wood



Related Products



Betty TK2



Betty TK10



Betty TK4/TK5



Betty TK7/TK8