

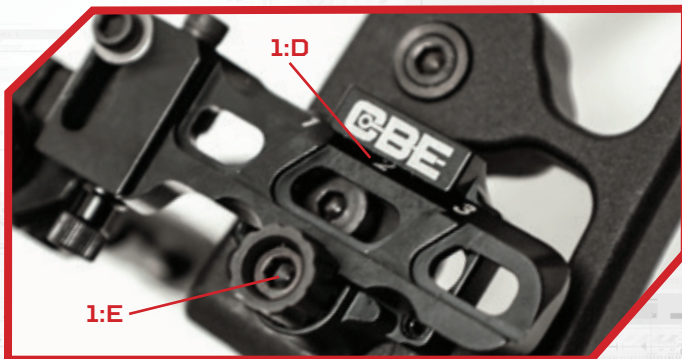
X4 ARROW REST INSTRUCTIONS

INSTALLATION

1. Mount the riser bracket (1:A) on to riser with 1 or 2, 5/16 screw (1:B)
2. Tighten down set screw (1:C) to riser using 1 of the 2 holes (circled in red), to ensure no movement/rotation during dovetail install

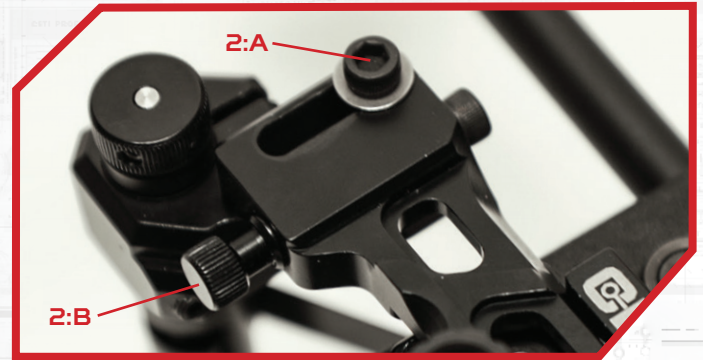


3. Slide Custom Bar (1:D) into positions 1, 2, or 3
A. To avoid cable interference "Snap" Custom Bar into riser mount
4. Using the Smart Knob (1:E), lock down dovetail into desired position
Tighten with hex for final lock down.



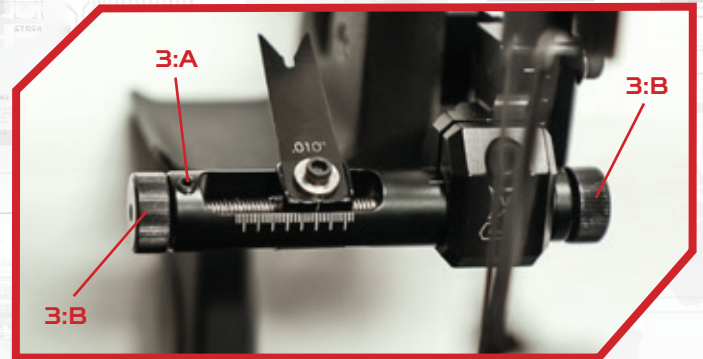
ELEVATION

1. Back out Lock Screw (2:A)
2. Adjust elevation using elevation knob (2:B)
A. Turn clockwise for down
B. Turn counterclockwise for up
3. Set to desired height
4. Lock down Lock Screw



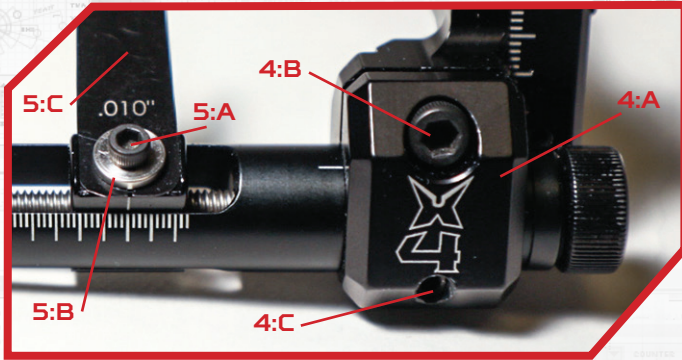
WINDAGE

1. Unlock, Windage Lock Screw (3:A).
2. Adjust blade windage with either windage knob (3:B)
3. Set to desired location
4. Lock down Windage Lock Screw



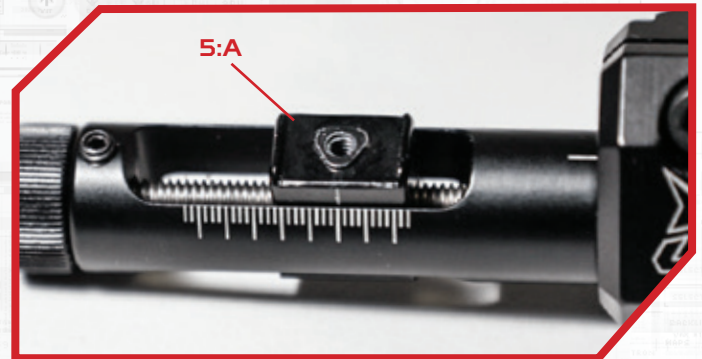
ANGLE ADJUSTMENT

1. Unlock Windage Clamp (4:A) by backing out the Clamp Screw (4:B)
2. Adjust angle with the bottom set screw (4:C)
3. Set blade to desired angle
 - A. Rotate clockwise to move blade up (increase blade angle)
 - B. Rotate counter-clockwise to move blade down (decrease blade angle)
4. Lock down windage clamp, once blade is set



BLADE REPLACEMENT

1. 4 Custom Blades have been provided
 - A. Standard (0.008", and 0.010")
 - B. Wide (0.008", and 0.010")
2. Remove 4-40 screw (5:A), Custom Washer (5:B), and Blade (5:C) from the Blade Mount (5:D)
3. Install new blade, by snapping new Blade onto Blade Mount
4. Place Custom Washer over blade, and over triangle blade alignment (Flat Side Up)
5. Tighten down 4-40 onto Custom Washer



**THANK YOU FOR CHOOSING
CUSTOM BOW EQUIPMENT!**

THE OUTDOOR GROUP, LLC

1325 John Street, West Henrietta, NY 14586

(877) 503-5483

www.custombowequipment.com



LIABILITY DISCLAIMER

The Outdoor Group, LLC is not liable for any personal injury, death, or property damage that may result from your use of this product. The user of this product assumes all risks of property damage or injury to yourself and others that may arise from its use. Use of this product binds the user to this agreement.

WARRANTY SERVICES:

**TOUGH AS NAILS
GUARANTEE**

IMPORTANT: In the unlikely event that you require service on your product, please contact Customer Service at 1 (877) 503-5483. If necessary, our Customer Service Agents will provide you with a Return Merchandise Authorization (RMA) number and instructions on how to ship the product(s) back. It's important that you contact a Customer Service Agent before returning any item. Please be sure to include your RMA number when returning an item, so that we can identify the return as yours. **Without the RMA, we will not be able to process your return, and your item will not be returned to you.**

PATENT INFORMATION

This product is covered by one or more patents. A complete list of Custom Bow Equipment patents can be found by visiting custombowequipment.com/pages/patents