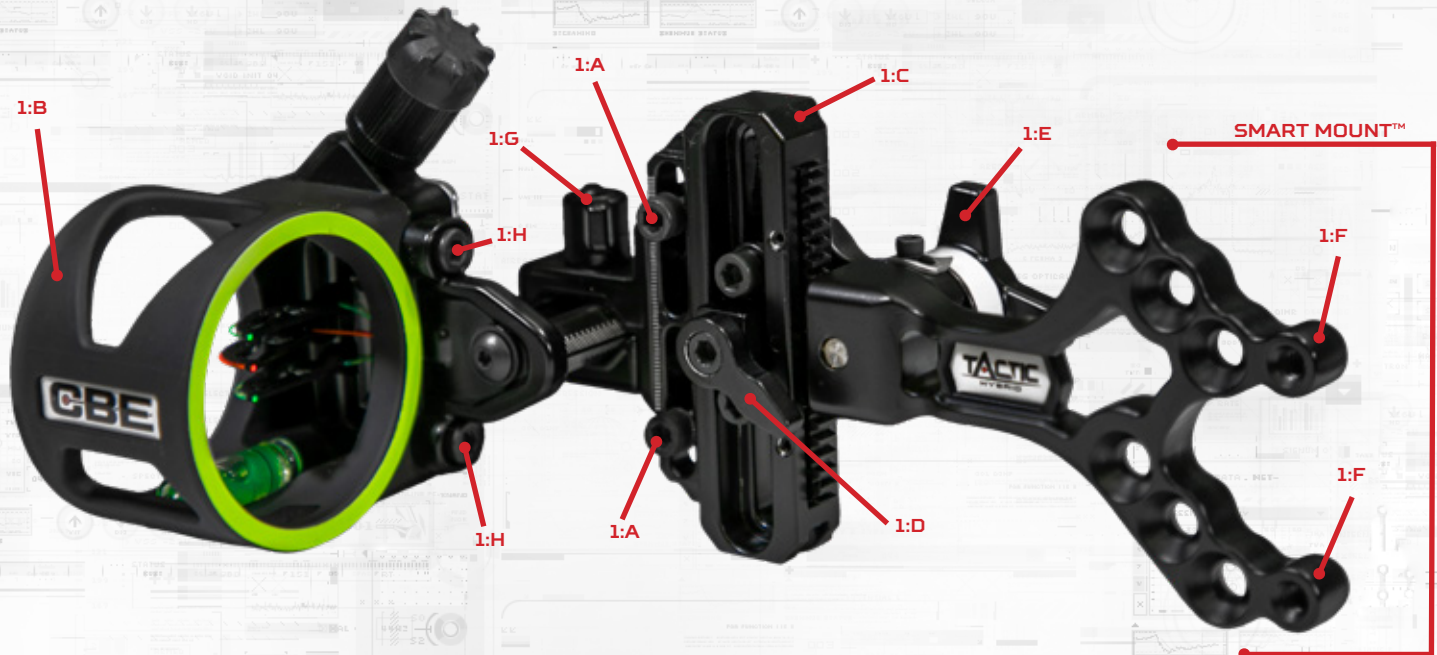




CUSTOM BOW EQUIPMENT

# TACTIC HYBRID INSTRUCTIONS

TACTIC SERIES SIGHTS - FROM THE NAME YOU TRUST IN ARCHERY ACCESSORIES - DELIVERS FEATURES EVEN THE MOST DEMANDING BOWHUNTERS NEED IN A COMPACT, LIGHT-WEIGHT, AND VERSATILE PACKAGE.



## MOUNTING YOUR SIGHT

Your Tactic Hybrid has an adjustable elevation mounting system which is offered with CBE's exclusive Smart Mount™ system. With the Smart Mount™ system, you have three sets of hole options to mount your sight at the optimal elevation position. Mount your sight to the bow with the two #10-24 X 5/8" screws provided. There are 2 #10-24 holes located on the riser bracket (1:F) for quiver mounting if necessary.

## ELEVATION ADJUSTMENTS

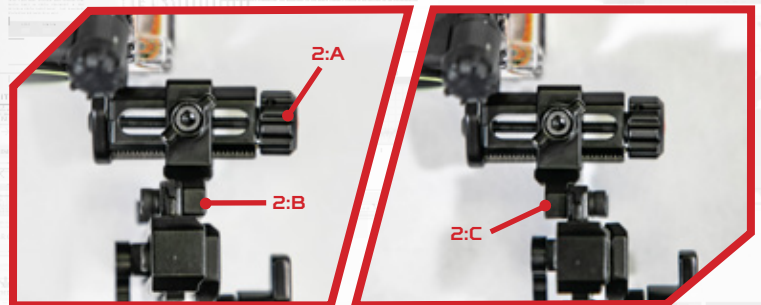
To make elevation gang adjustments, loosen the (2) #8-32 elevation gang adjust screws (1:A) using a 9/64" hex. Slide the sight housing (1:B) to the desired position. Lock the (2) #8-32 elevation gang adjust screws down when complete. NOTE: there are 5 mounting holes that can be used to achieve optimal placement.

To use the hybrid elevation drive, loosen the elevation lock lever (1:D). Move the hybrid drive to the desired position using the hybrid drive knob (1:E). Lock the elevation lock lever when complete.

## WINDAGE ADJUSTMENTS

To gang adjust windage, loosen the windage lock knob (1:G) and turn the windage micro knob (2:A) until the housing is in the desired position. Tighten the windage lock knob when complete.

To achieve additional windage, the windage mount can be offset towards the scope housing. To do this, remove the 2 elevation gang adjust screws (1:A) using a 9/64" hex. Next, move the windage mount (2:B) to the opposite side of the elevation frame (2:C) - see images below. Reinstall the (2) #8-32 elevation gang adjust screws from the opposite side using a 9/64" hex.



## 2ND AXIS LEVELING ADJUSTMENT

To adjust the 2nd axis on the Tactic Hybrid, loosen the 2 #8-32 screws (1:H) connecting the windage body to the pin plate using a 9/32" hex. Level the 2nd axis by rotating the housing until level and retighten the screws.

## SIGHT PIN ADJUSTMENT

Pins can be moved individually by loosening the #4-40 screw using a 3/32" hex and moving the pin to the desired location. Retighten the screw when complete (3:A).

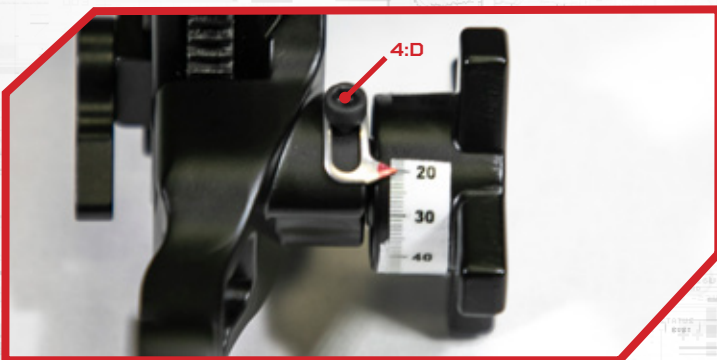
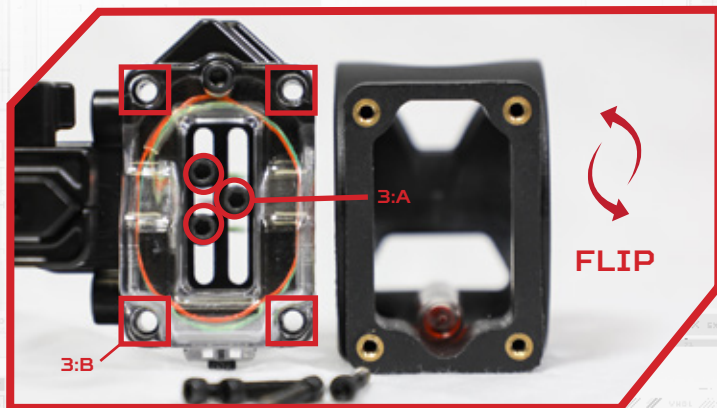
## CONVERTING SIGHT FOR LEFT HANDED ARCHERS

To convert the Tactic Hybrid to left handed, simply remove the 4 screws that connect the sight housing to the pin plate. Flip the housing and reinstall the screws (3:B).

## SIGHT SCALES

Sight scales are provided to suit most bow setups. First, install one of the provided blank tapes on the hybrid drive knob. To choose the correct sight scale, move the housing all the way up to the Rapid Stop position (4:A) using the hybrid drive. Now, use the elevation gang adjust and Smart Mount to set your floating pin. Make a mark on the blank tape in line with the indicator (4:B). With the floating pin mark set, move to 60 yards and sight in using the same pin. Make a second mark on the blank tape in line with the indicator.

Now, peel the blank tape off of the hybrid drive knob and match the marks up with the tapes provided (for a 20 yard Rapid Stop, use the 20 yard mark, for a 40 yard Rapid Stop, use the 40 yard mark, etc.) (4:C). Find a tape that has the same gap between floating pin mark and 60 yard mark as the marks that you created. Install the selected tape to the hybrid drive knob while the sight is in the Rapid Stop position (4:A). (NOTE: You may need to trim sight scale to proper length.) Move the indicator to the mark on the sight scale corresponding with the Rapid Stop yardage mark on the tape by loosening the #4-40 screw (4:D) with a 3/32" hex and sliding the indicator to the correct location. Tighten the indicator screw when completed.



## THANK YOU FOR CHOOSING CUSTOM BOW EQUIPMENT!

### THE OUTDOOR GROUP, LLC

1325 John Street, West Henrietta, NY 14586

(877) 503-5483

[www.custombowequipment.com](http://www.custombowequipment.com)



## LIABILITY DISCLAIMER

The Outdoor Group, LLC is not liable for any personal injury, death, or property damage that may result from your use of this product. The user of this product assumes all risks of property damage or injury to yourself and others that may arise from its use. Use of this product binds the user to this agreement.

## WARRANTY SERVICES:

**IMPORTANT:** In the unlikely event that you require service on your product, please contact Customer Service at 1 (877) 503-5483. If necessary, our Customer Service Agents will provide you with a Return Merchandise Authorization (RMA) number and instructions on how to ship the product(s) back. It's important that you contact a Customer Service Agent before returning any item. Please be sure to include your RMA number when returning an item, so that we can identify the return as yours. **Without the RMA, we will not be able to process your return, and your item will not be returned to you.**

## PATENT INFORMATION

This product is covered by one or more patents. A complete list of Custom Bow Equipment patents can be found by visiting [custombowequipment.com/pages/patents](http://custombowequipment.com/pages/patents)