

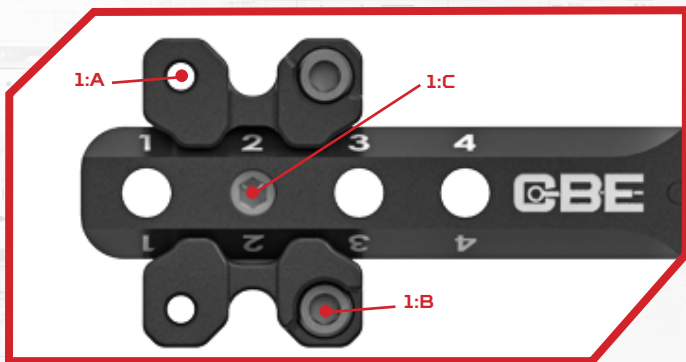


CUSTOM BOW EQUIPMENT

ENGAGE HYBRID INSTRUCTIONS

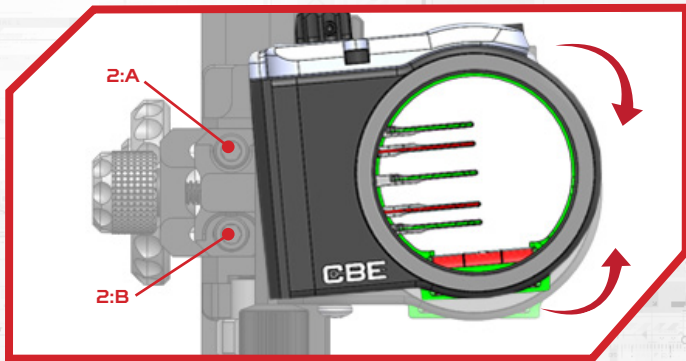
MOUNTING YOUR SIGHT

Your Engage Sight has an adjustable Dovetail Mounting system. With the Dovetail Mount system, you have 4 sets of hole options to mount your sight at the optimal position. Mount your sight to the bow with the 2, #10-24 x 5/8" screws provided (1:B). Set your dovetail mounting location with the provided 5/16"-24 set screw (1:C) by using a 5/32" Hex to select between positions 1 through 4. There are 2, #10-24 holes located on the riser bracket for quiver mounting if necessary (1:A).



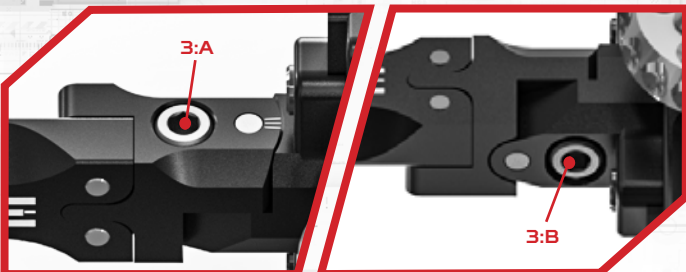
2ND AXIS LEVELING ADJUSTMENT

To adjust the 2nd axis on the Engage, loosen, but do not remove, the 2, #8-32 (2:A, 2:B) screws with a 9/64" Hex, attached to the windage housing. Level the 2nd axis by rotating the housing until level and retighten the screws.



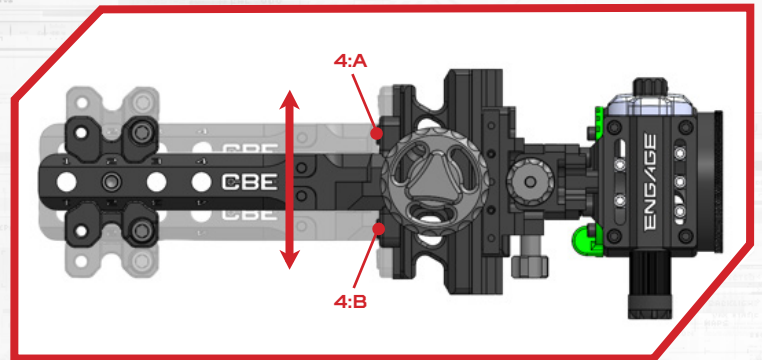
3RD AXIS ADJUSTMENT

To adjust the 3rd axis, loosen, but do not remove, both #10-32 (3:A and 3:B) screws with a 5/32" Hex. Using the laser engraved reference mark, adjust the position of your sight. Once it is set in the desired location, lock down both screws.



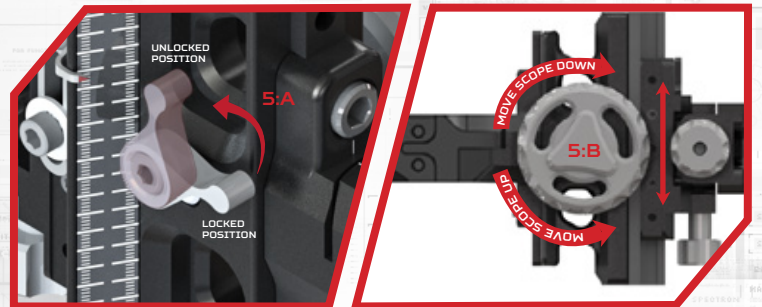
ELEVATION GANG ADJUSTMENT

To gang adjust elevation, remove the 2, #8-32 screws (4:A, 4:B) with a 9/64" Hex. There are 3 different mounting locations and set to desired position. Tighten the #8-32 screws when complete. There are 3 different mounting options.



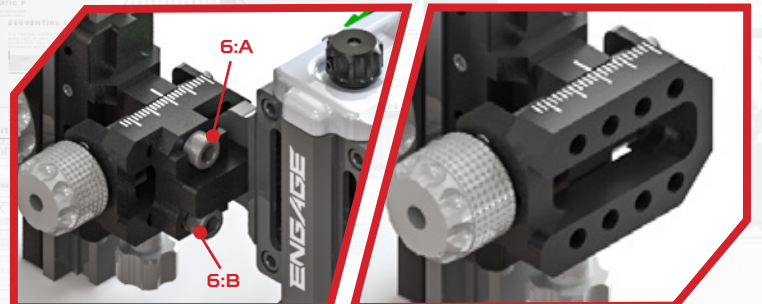
ELEVATION HYBRID ADJUSTMENT

To adjust the elevation, unlock the lock lever (5:A). Use the elevation knob (5:B) to adjust your elevation position. Once your housing is in the desired position, place the lock lever into the locked position.



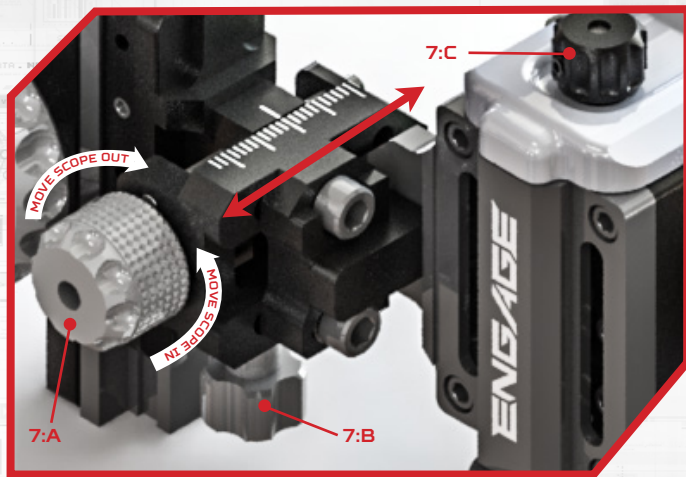
WINDAGE GANG ADJUSTMENT

To gang adjust windage, remove the 2, #8-32 screws with a 9/64" Hex (6:A and 6:B). There are 4 different mounting locations available. Set your 2nd axis mount into the desired mounting location and tighten down the screws.



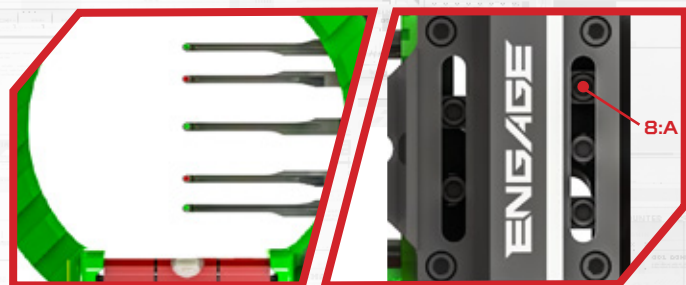
WINDAGE MICRO ADJUSTMENT

To micro adjust windage, loosen the Lock Knob (7b). Rotate the Windage Knob (7A) until the scope housing is in its desired location. Once it is complete, lock down the windage with the Lock Knob (7b). If desired, use a 9/64" Hex to tighten down the Lock Knob more (7b). **Note: Once finger tight, DO NOT rotate lock knob with a HEX more than 1/4 revolution.**



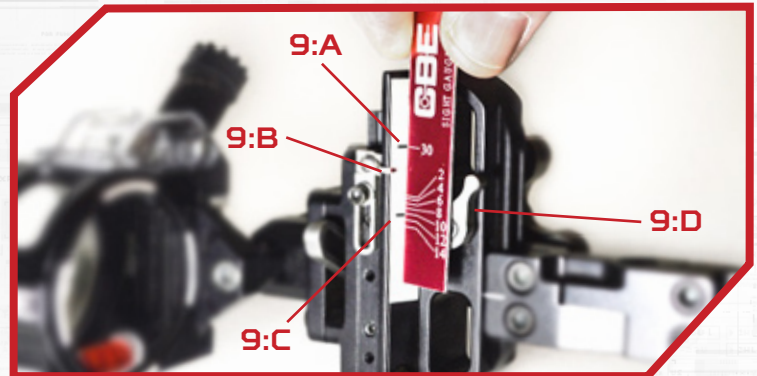
MICRO PIN ADJUSTMENT

Pins can be individually micro adjusted by loosening the #4-40 (8:A) screw with a 5/32" Hex for the desired pin. Back out the screw 4-1/4" revolutions (or about 0.106") to engage the lead screw. Once the pin is engaged on the lead screw, rotate the Pin Knob (7:C) to adjust pin location. Once your pin is set to the desired location, lock down the pin with the 5/32" Hex until tight. Repeat these steps for to adjust the additional pins. **Note: Do not overtighten.**



USING YOUR SIGHT TAPE TOOL

Included with your Engage Hybrid sight is a sight tape gauge along with a set of laser engraved corresponding graduated sight tapes. To determine which sight tape is correct for your setup, simply sight in at a distance of 30 yards with your bottom pin or your chosen "floating" pin. Place a mark on the installed white tape at the indicator needle. This will be your "home" setting (9:A). Sight in at a distance of 60 yards with the bottom pin or the chosen "floating" pin. To adjust the Rapid Drive™ system, loosen the elevation lock lever (Fig. 9:D) then rotate the elevation adjustment knob (5:B) on the side of the sight until you reach the desired setting, then make another mark at the indicator needle (9:B). Once you have these marks set, using the sight tape gauge, align the line labeled "30" with your 30 yard mark on the white sight tape (9:A). The corresponding numbered line on the gauge which aligns with your 60 yard mark will determine which number sight tape you should use. As an example (9:C), you would choose scale #10. The supplied sight tape gauge has two sides, one side for even numbered scales and the other for odd number scales.



THANK YOU FOR CHOOSING CUSTOM BOW EQUIPMENT!

THE OUTDOOR GROUP, LLC
1325 John Street, West Henrietta, NY 14586
(877) 503-5483
www.custombowequipment.com



LIABILITY DISCLAIMER

The Outdoor Group, LLC is not liable for any personal injury, death, or property damage that may result from your use of this product. The user of this product assumes all risks of property damage or injury to yourself and others that may arise from its use. Use of this product binds the user to this agreement.

WARRANTY SERVICES:

TOUGH AS NAILS GUARANTEE

IMPORTANT: In the unlikely event that you require service on your product, please contact Customer Service at 1 (877) 503-5483. If necessary, our Customer Service Agents will provide you with a Return Merchandise Authorization (RMA) number and instructions on how to ship the product(s) back. It's important that you contact a Customer Service Agent before returning any item. Please be sure to include your RMA number when returning an item, so that we can identify the return as yours. **Without the RMA, we will not be able to process your return, and your item will not be returned to you.**

PATENT INFORMATION

This product is covered by one or more patents. A complete list of Custom Bow Equipment patents can be found by visiting custombowequipment.com/pages/patents