

Owner's Manual
Windsseeker

SPECIFICATIONS

CASE SIZE

Diameter 39 mm
Lug-to-lug 47 mm
Thickness 10.5 mm (sapphire incl.)
Lug width 20 mm

MOVEMENT

Sellita SW200-1
Automatic
28.800 BPH
Hacking
41 hours power reserve

DIAL

Dual surface – sunburst and textured
Applied indices

WEIGHT

150 gram

CASE

316L surgical grade stainless steel

HANDS

Luminova filled
Contrasted tip on seconds hand

GLASS

Flat sapphire crystal
Inner AR coated

BEZEL

Fixed flat bezel
Vertically brushed
Polished chamfer

CROWN

Screw-in big crown with moulded artwork

WATER RESISTANCE

10 ATM / 100 meters

LUME

BGW9 Swiss Super-LumiNova

STRAP 20MM

Flat top steel bracelet (butterfly clasp)
Fully articulating links



INSTRUCTIONS

Windseeker is powered by the Sellita SW200-1 movement.
Here is an overview of the functions of the movement.

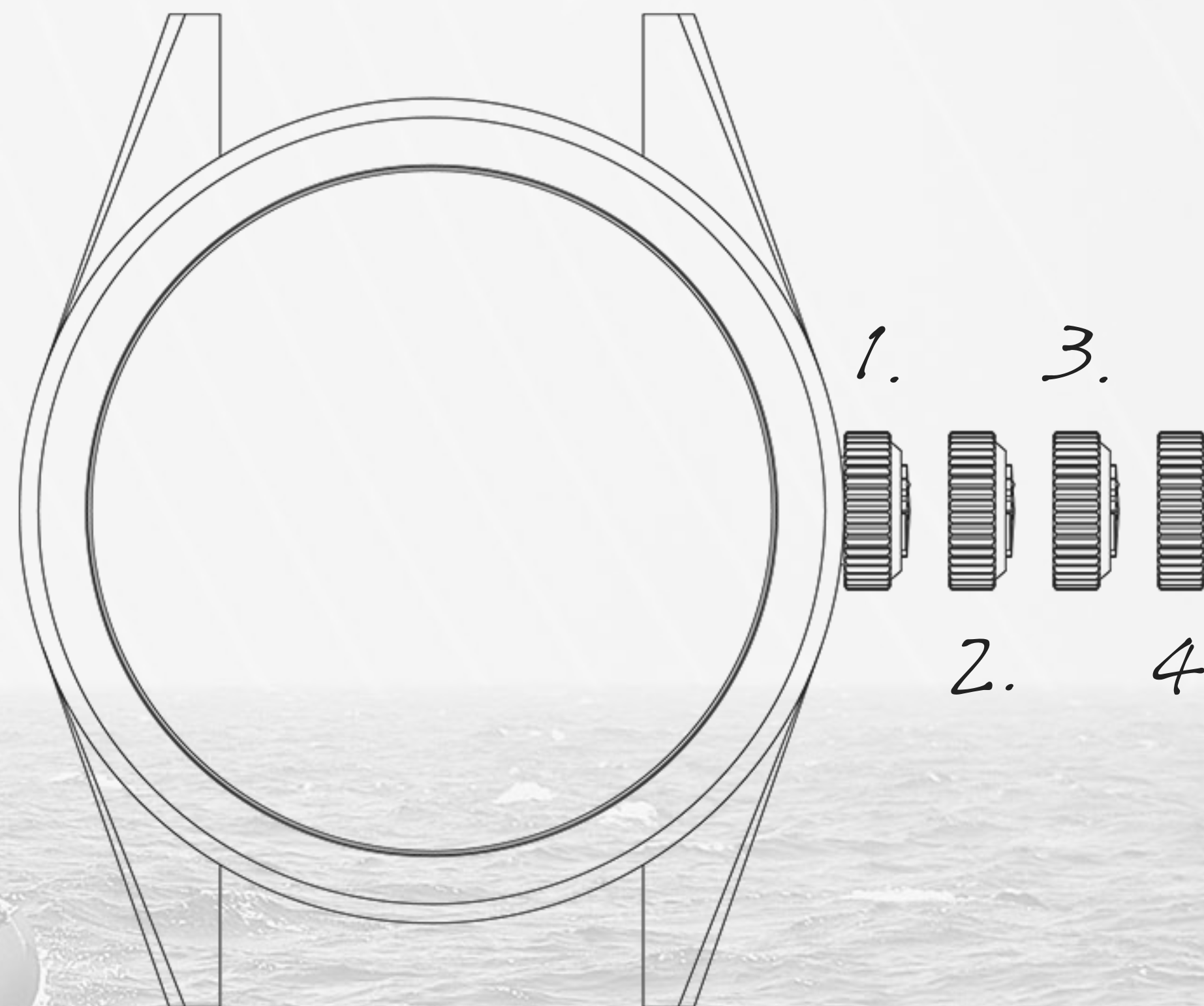
To manually wind your movement, unscrew the crown (position 2) and gently turn the crown clockwise (approx 25 winds) until you feel a resistance. Do not continue winding at this point, this could damage your watch.

To set the time of your watch, simply pull the crown to position 4 and set the time correctly. To set the date push it into position 3.

Make sure to always screw back the crown to position 1 before using the watch. Wearing your watch with the crown not correctly screwed in could damage your watch.

CROWN POSITION

1. Screwed in position
2. Manual wound position
3. Date setting position
4. Time setting position



A sailboat with white sails is shown sailing on the ocean. The sails are fully deployed and the boat is leaning slightly to the left. The background is a bright, overcast sky and the water is a textured grey-blue. The overall image has a monochromatic, high-key aesthetic.

FOR MORE INFORMATION VISIT [TUSENO.COM/INFO](https://tusenogoteborg.com/info)
OR SEND US AN EMAIL – [HELLO@TUSENO.COM](mailto:hello@tusenogoteborg.com)



TUSENÖ SHOWROOM – RISÅSGATAN 12 – 413 07 GÖTEBORG – SWEDEN