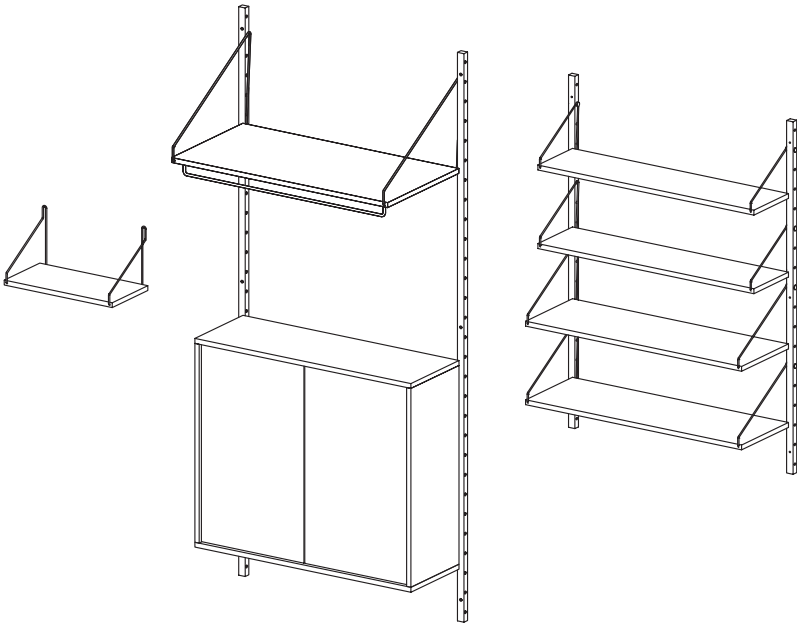


- ASSEMBLY GUIDE -

SHELF LIBRARY COLLECTION

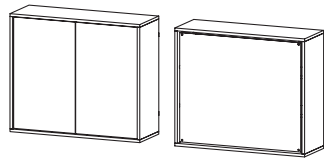
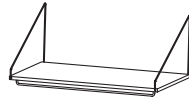
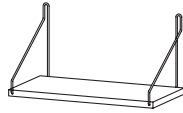
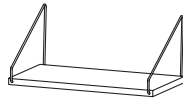
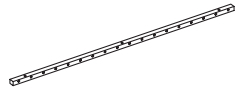
Wood



FRAMA

INDEX

- 3 Rail
- 7 Shelf
- 13 Single shelf
- 17 Hanger shelf
- 25 Cabinet



RAIL

- PARTS -



(A) Rail

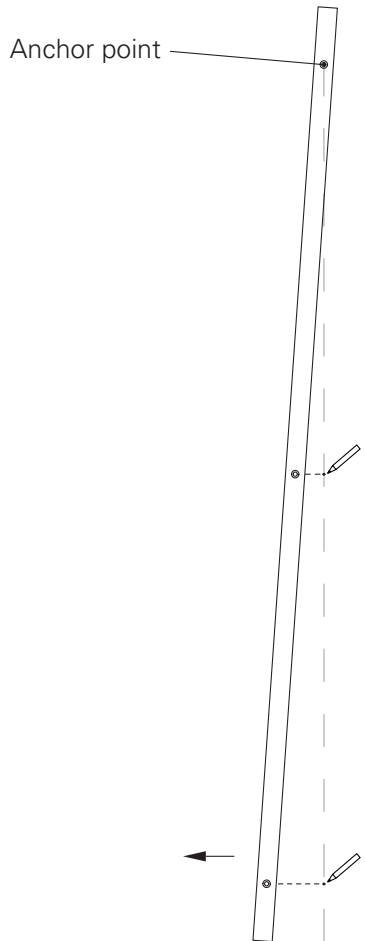
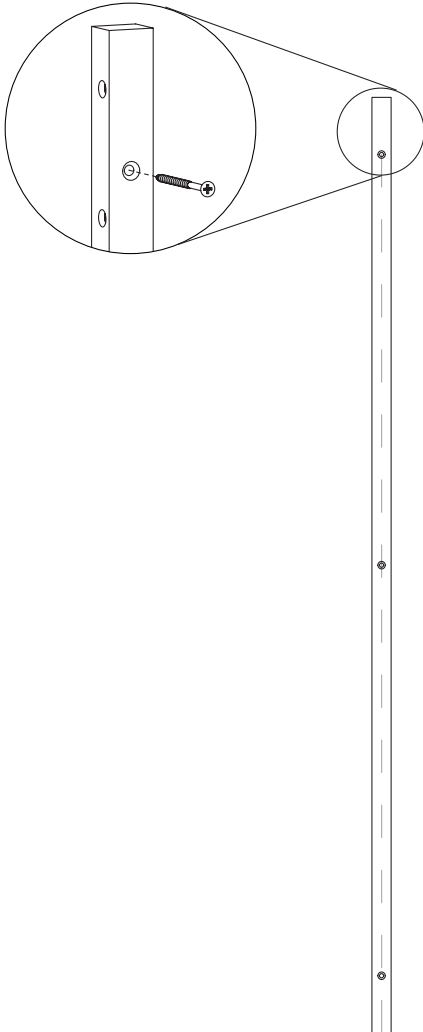


(B) Screw x3

1.

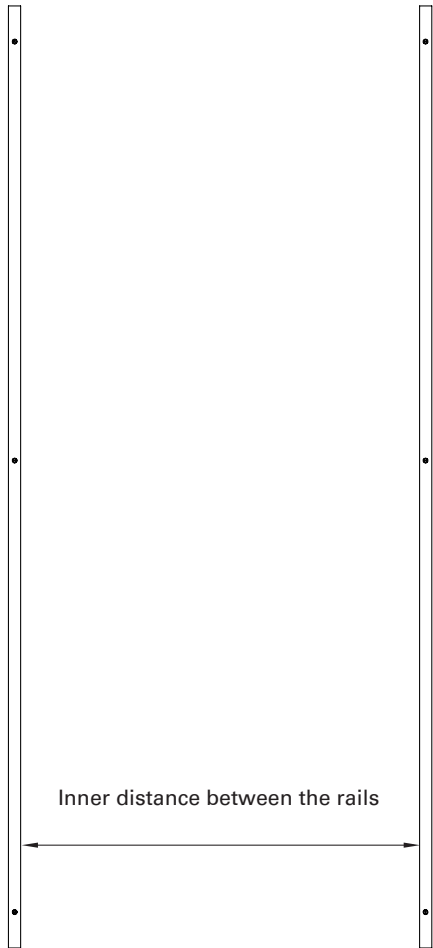
Place the first rail (A) on the desired position on the wall and put the screw (B) into the wall through the top hole. Depends on the wall type, pre-drilling and wall plug (not included) maybe required.

Use the the top hole as an anchor point and level the rail straight then mark the screw hole with a pencil or a sharp tool on the wall.



2.

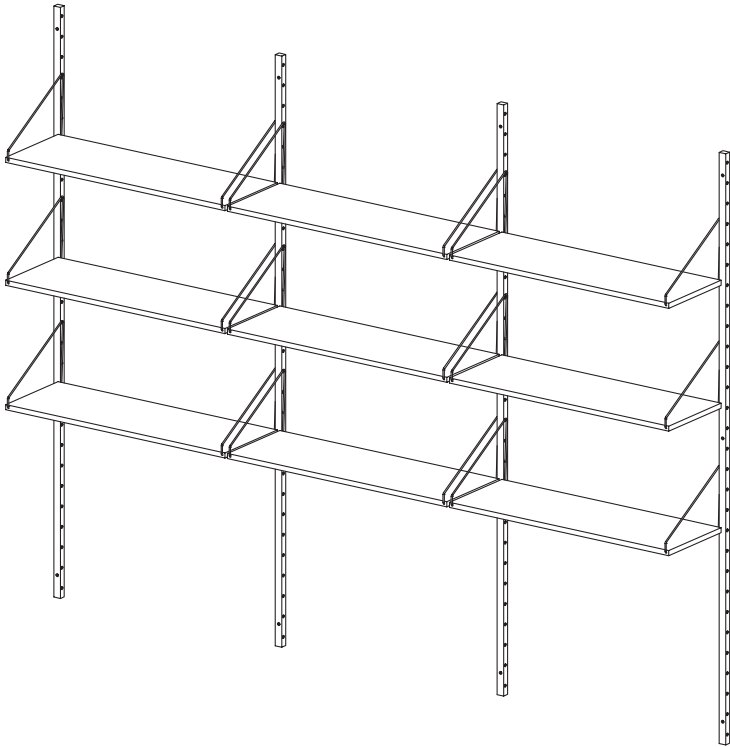
Finish mounting the first rail by putting the screws (B) into the marked position.
Measure the distances for the second rail (A), then mount the second rail by
repeating the same process on page 1.



40 cm shelf = 38.4 cm
60 cm shelf = 58.4 cm
80 cm shelf = 78.4 cm

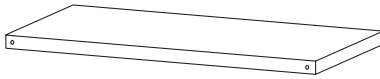
3.

To extend the system, repeat the same process on page 4 and 5.

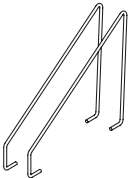


SHELF

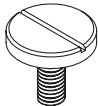
- PARTS -



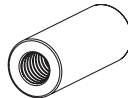
(A) Shelf x1



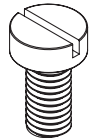
(B) Bracket x2



(C) Bolt x4



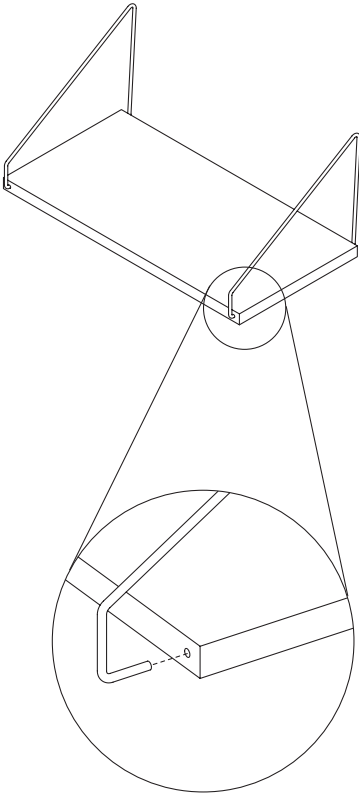
(D) Threaded insert x2



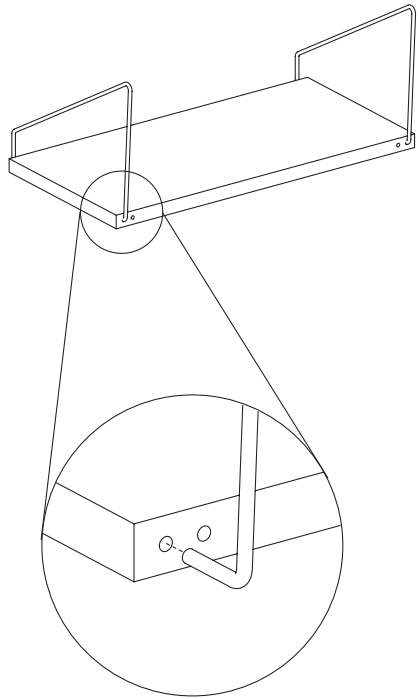
(E) Spacing bolt x1

1.

Start by inserting bracket ends **(B)** into the pre-drilled holes on the shelf **(A)**.



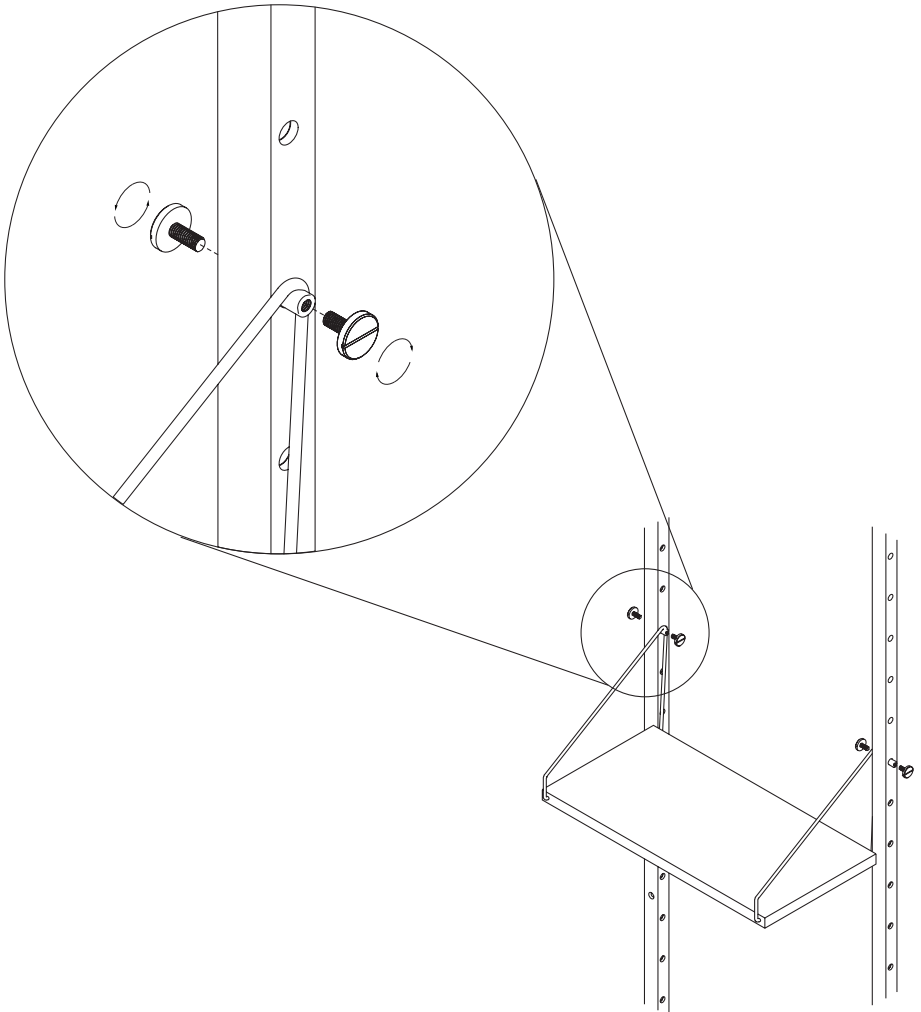
Front



Back

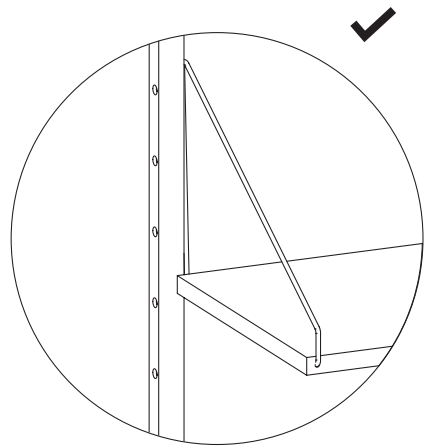
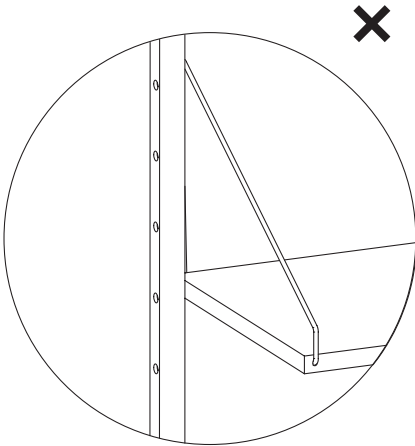
2.

Insert the threaded insert **(D)** at a desired position in the rail, hang the bracket **(B)** to the thread insert **(D)** then secure it by fasten the bolts **(C)**.



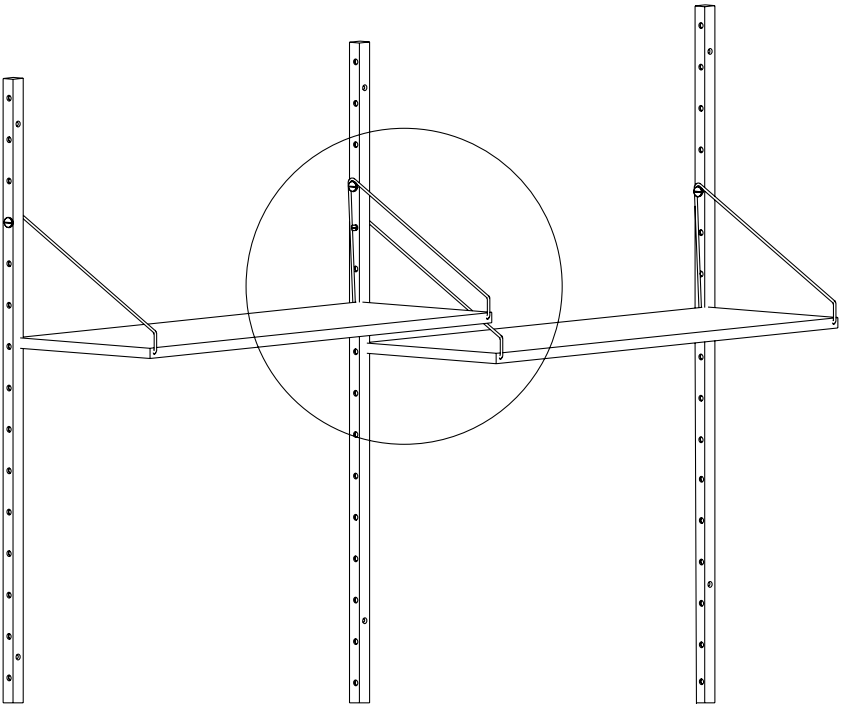
3.

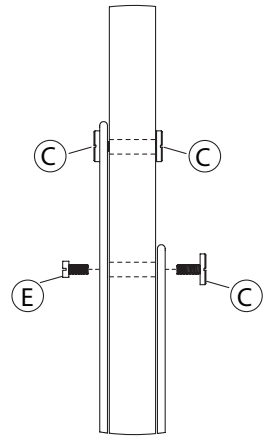
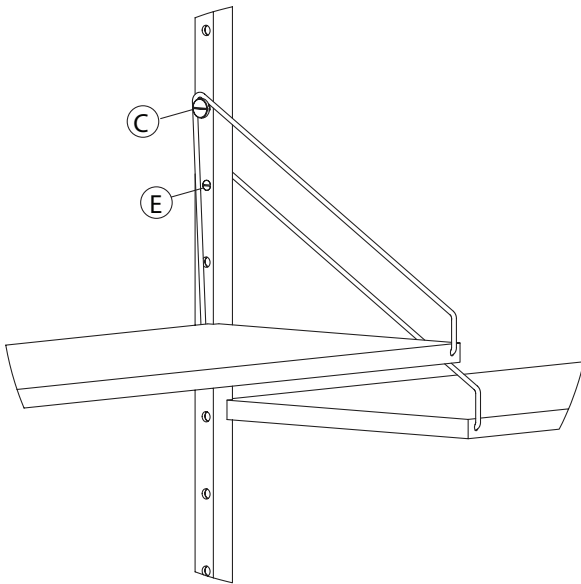
Note that the back side of the shelf should be placed against to the rail not to the wall.



4.

In case of setting the shelves in configuration illustrated below,
use the spacing bolt (E).



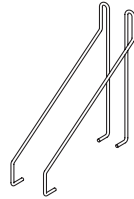


SINGLE SHELF

- PARTS -



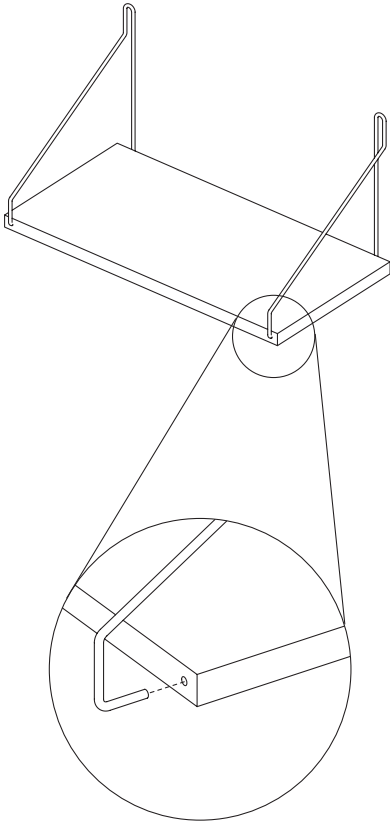
(A) Shelf x1



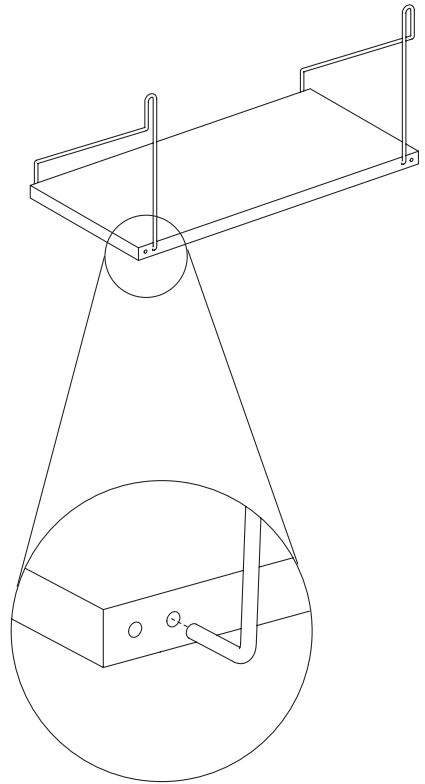
(B) Bracket x2

1.

Start by inserting bracket ends (B) into the pre-drilled holes on the shelf (A).



Front



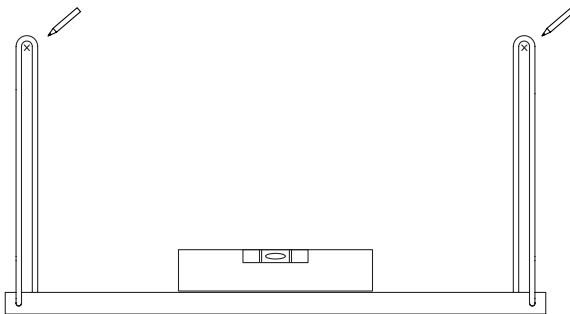
Back

2.

Make sure that the brackets are placed correct side.
Place the complete shelf against the wall, level it straight then mark screw holes
with a pencil or a sharp tool on the wall.

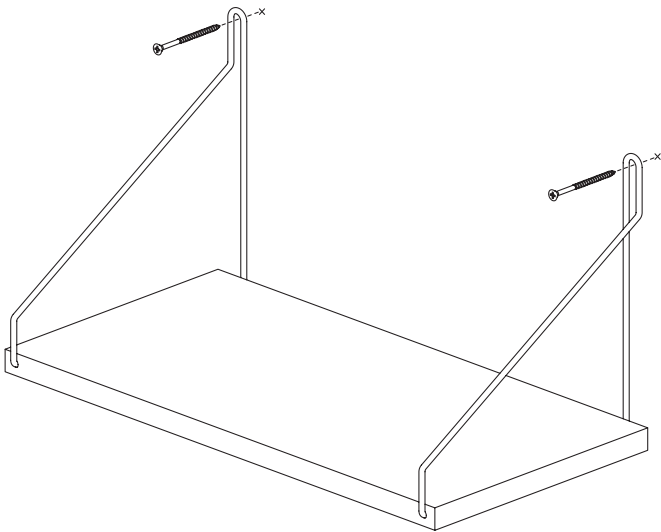


Front



3.

Put screws into the marked position on the wall, then hang the bracket on. Depends on the wall type, pre-drilling and wall plug (not included) maybe required.



HANGER SHELF

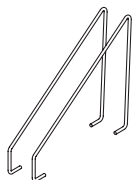
- PARTS -



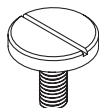
(A) Shelf x1



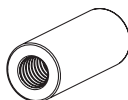
(B) Hanger x1



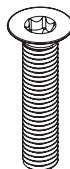
(C) Bracket x2



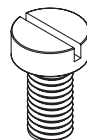
(D) Bolt x4



(E) Threaded insert x2



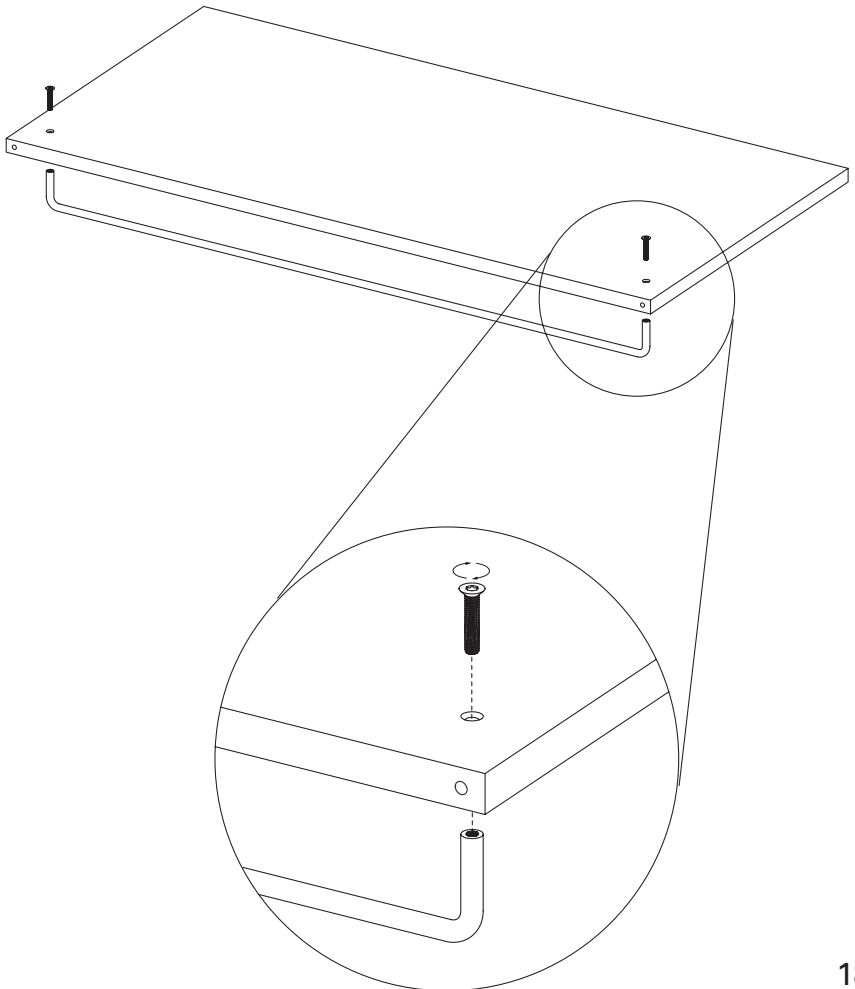
(F) Hanger bolt x2



(G) Spacing bolt x1

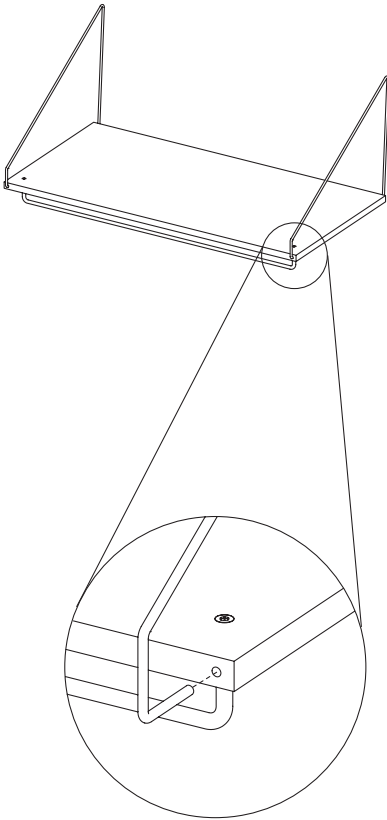
1.

Start by screwing the hanger bolts (F) into the hanger (B) through the shelf (A).

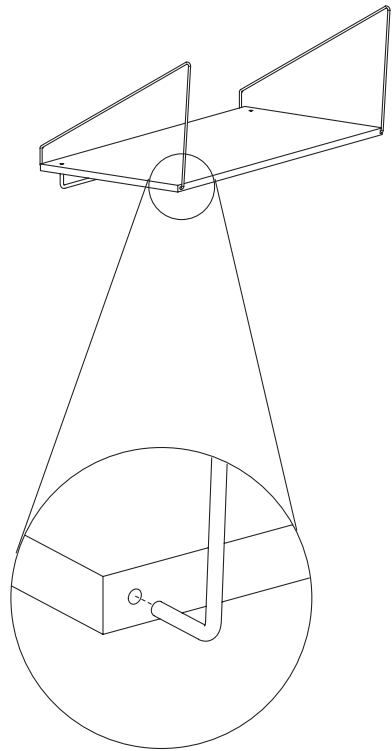


2.

Insert bracket ends ③ into the pre-drilled holes on the shelf ①.



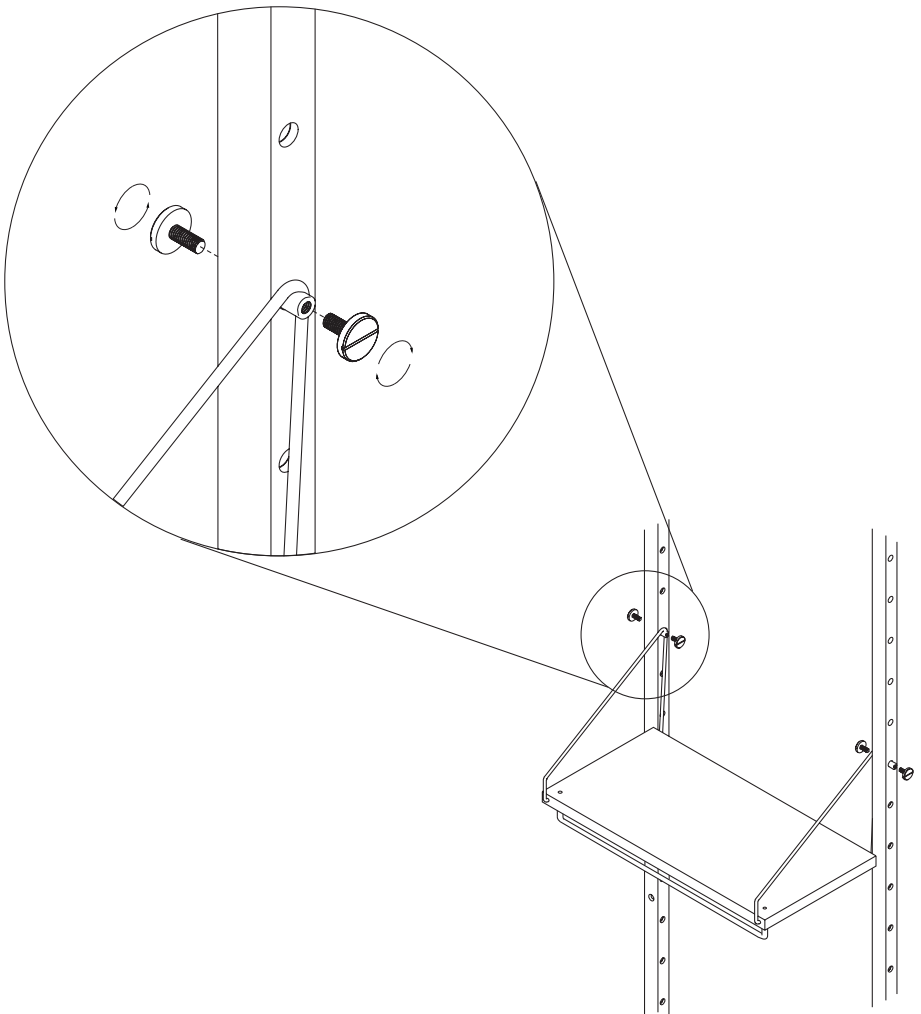
Front



Back

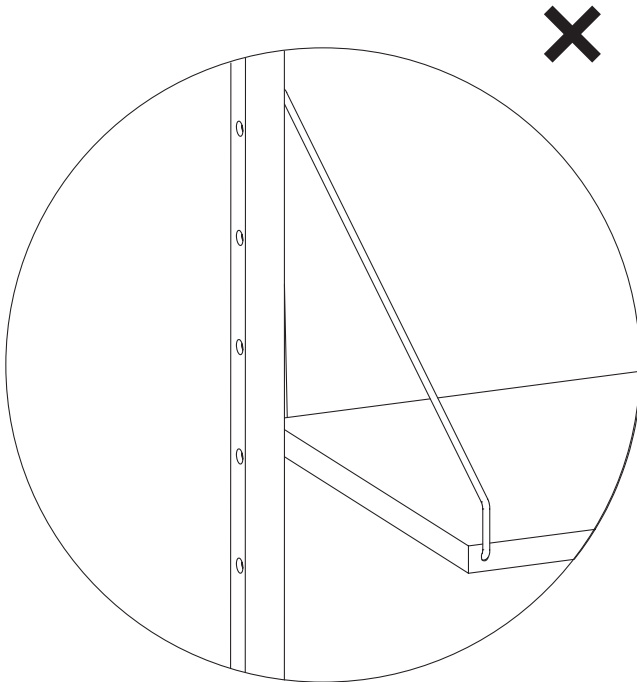
3.

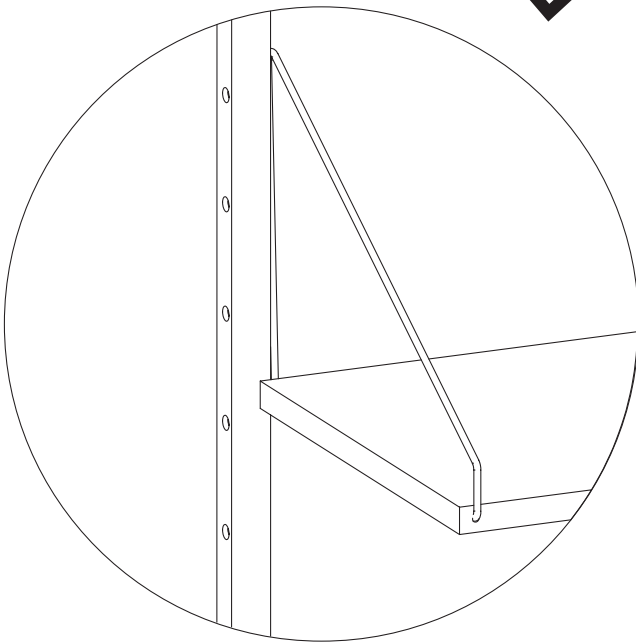
Insert the threaded insert (E) at a desired position in the rail, hang the bracket (C) to the thread insert (E) then secure it by fasten the bolts (D).



4.

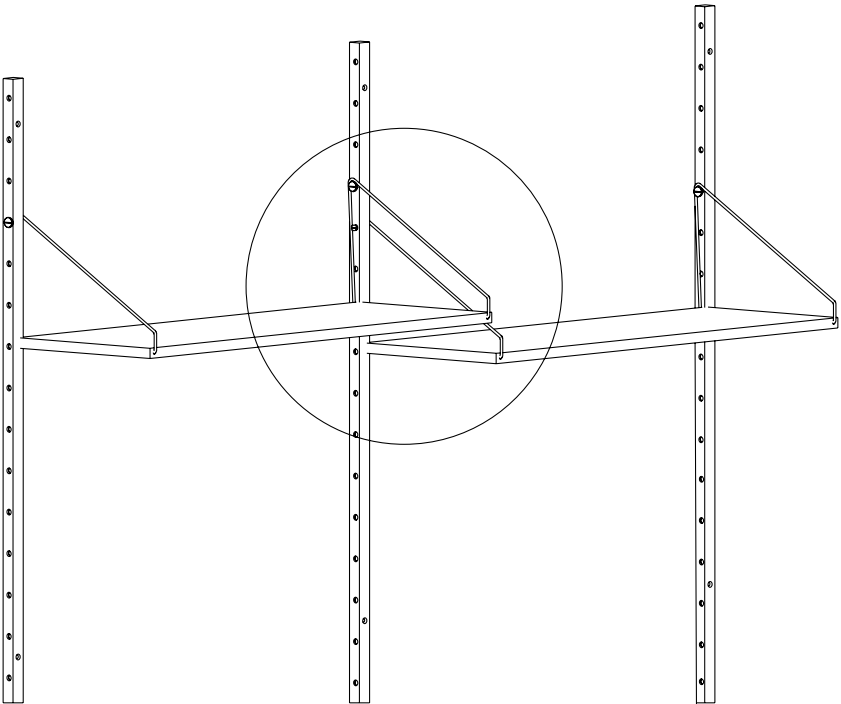
Note that the back side of the shelf should be placed against the rail not to the wall.

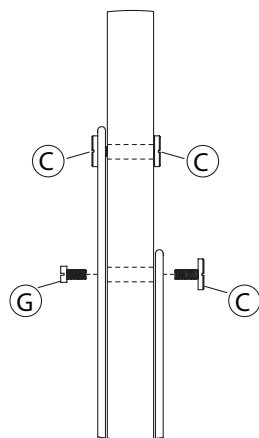
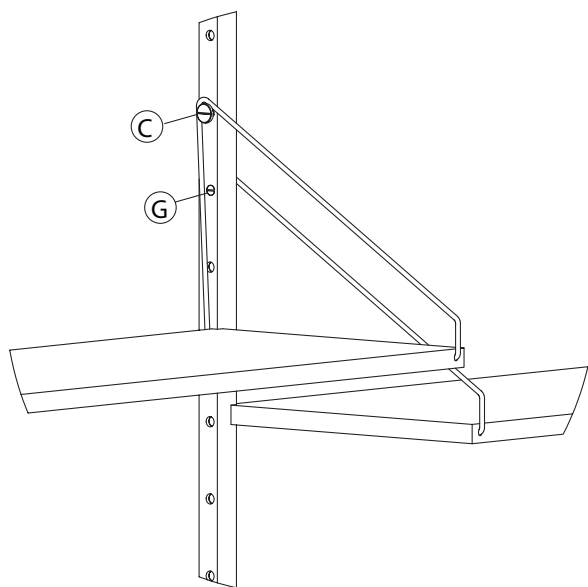




5.

In case of setting the shelves in configuration illustrated below,
use the spacing bolt **Ⓒ**.

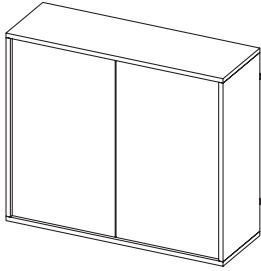




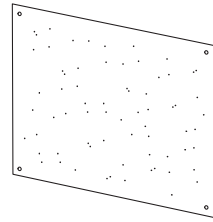
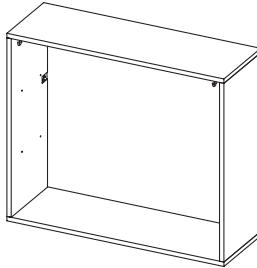
CABINET

- PARTS -

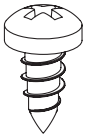
This assembly guide provides instructions for both cabinet with doors as well as cabinet with canvas option.



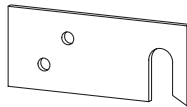
(A) Cabinet x1



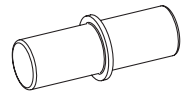
(H) Canvas curtain x1



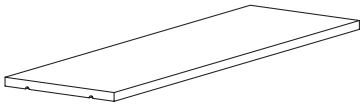
(B) Screw x8



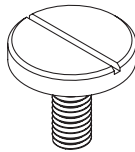
(C) Mounting hook x4



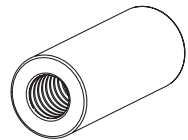
(D) Pin x4



(E) Shelf x1



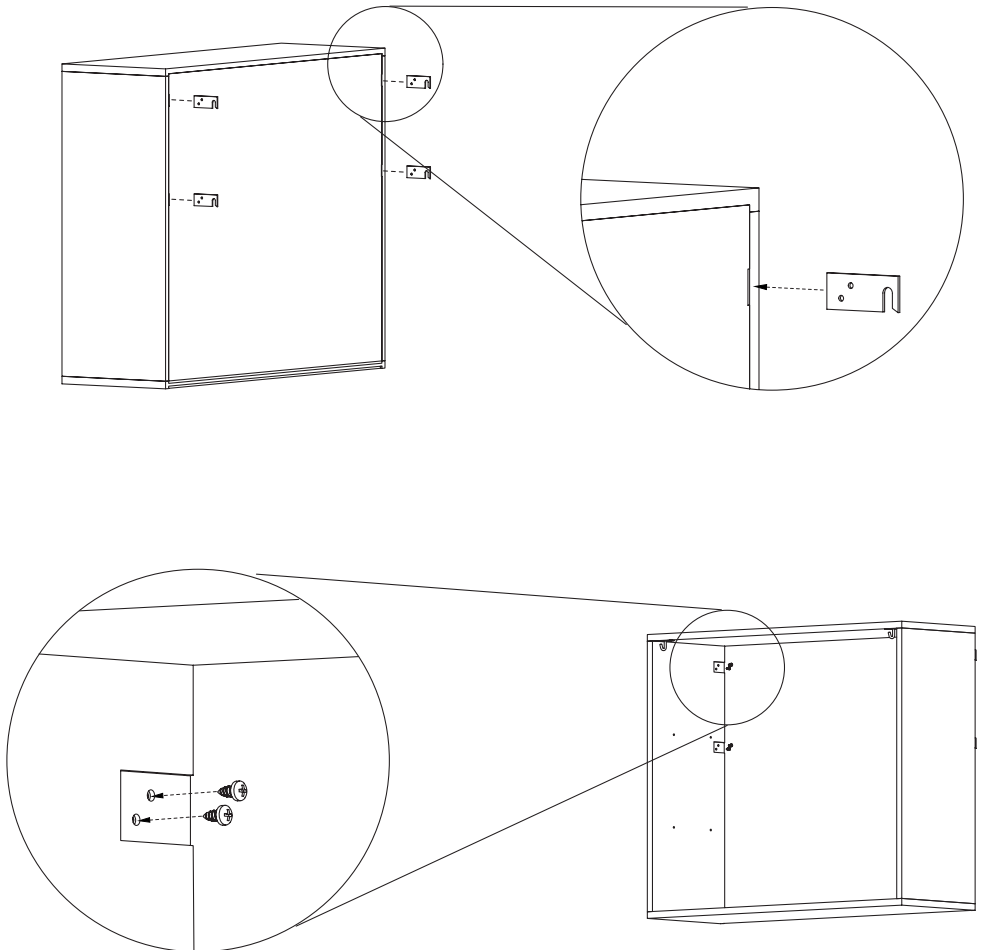
(F) Bolt x8



(G) Threaded insert x4

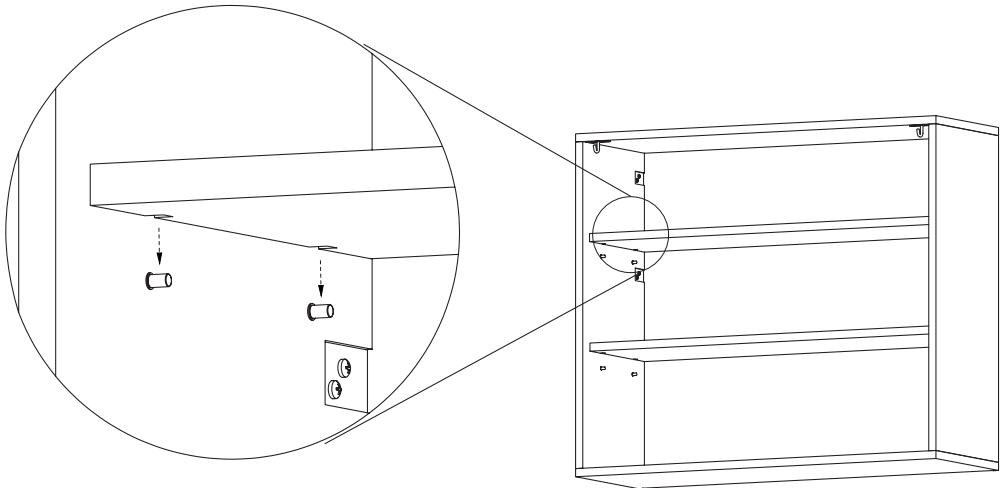
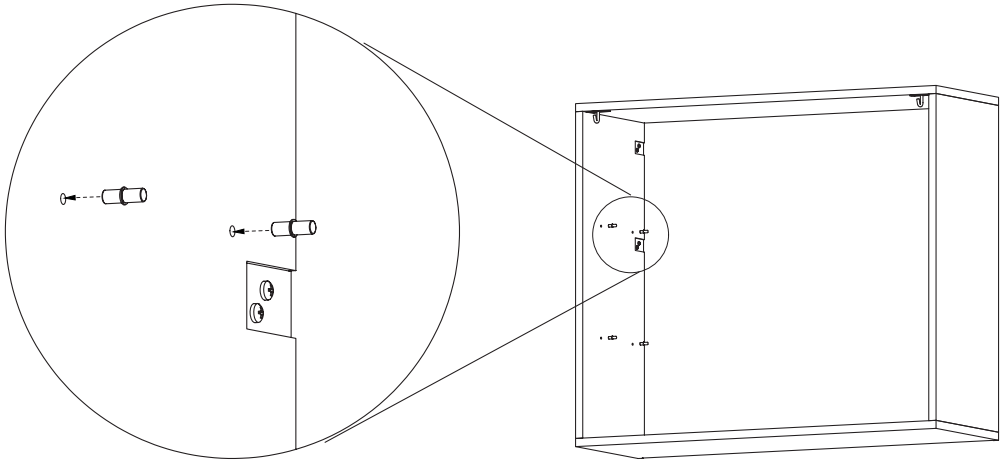
1.

Start by inserting the mounting hooks (C) into the slots on the back side of the cabinet (A). Then secure the mounting hooks by fastening the screws (B) into the pre-drilled holes on the side of the cabinet (A) .



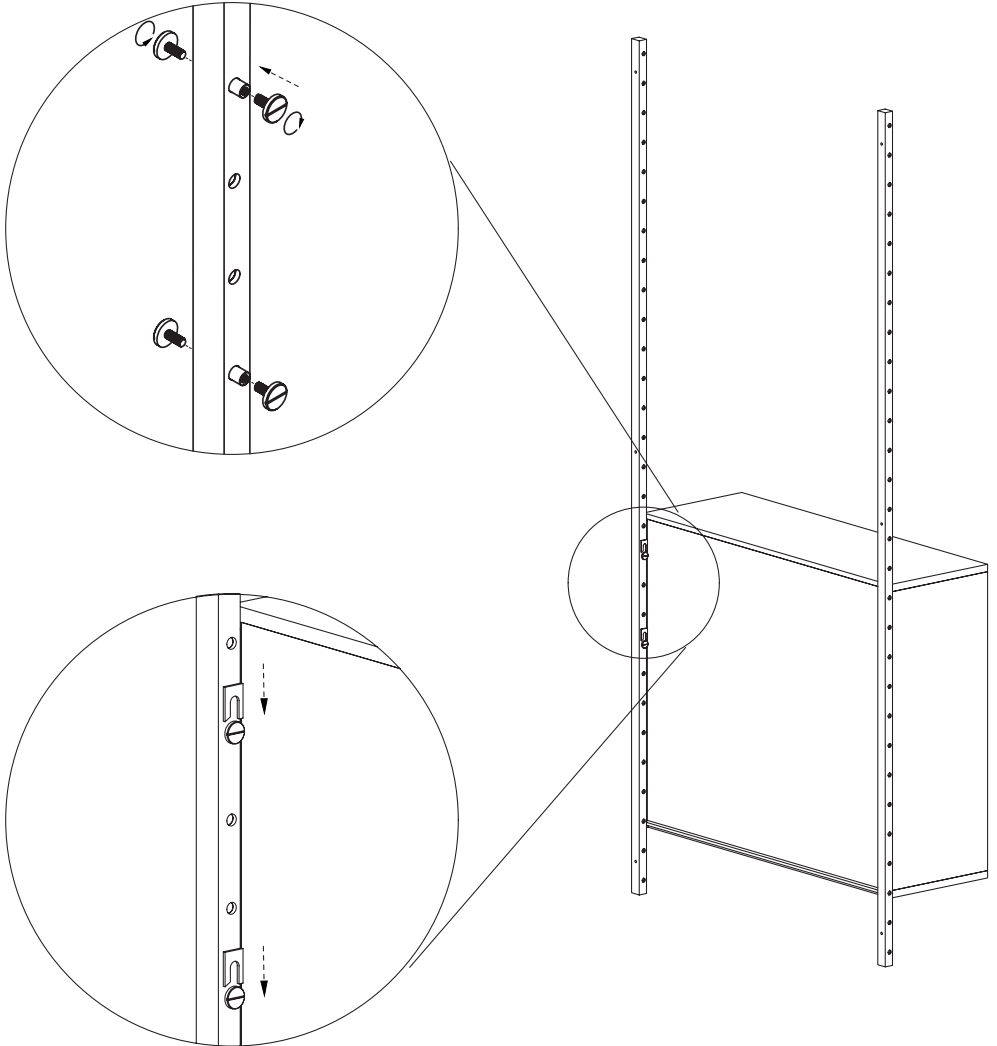
2.

Insert the pins **D** into the pre-drilled holes on the inside panel.
Then place the shelves **E** onto the pins, aligning with
the grooves on the shelves.



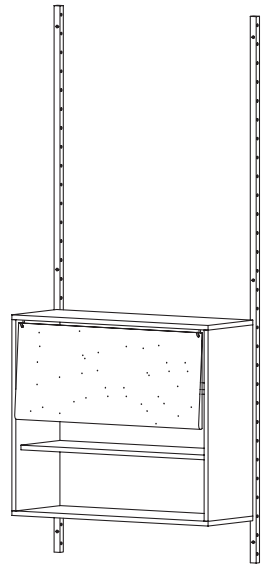
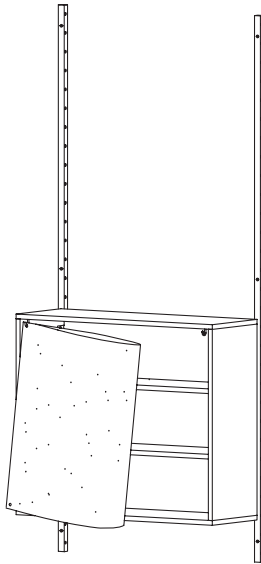
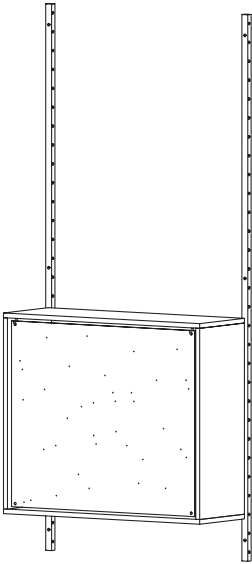
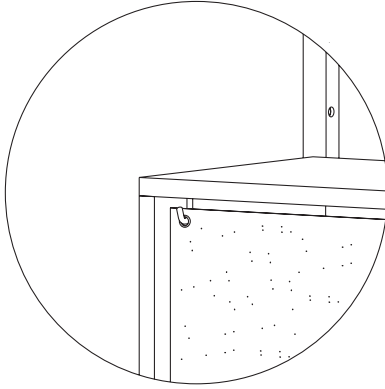
3.

Insert the threaded insert **(G)** at a desired position in the rail then secure them with the bolts **(F)**. Mount the complete cabinet on the rail by sliding the mounting hooks **(C)** down to the bolts **(F)** on the rail.



4.

For the canvas curtain option, place the canvas curtain (H) on the hooks in a desired way.



- Care & Maintenance Guide-

In order to preserve your new FRAMA pieces for years to come, we've produced a guide on the materials we use and how to best care for them. Following these instructions will help to maintain the appearance and quality of your items after repeated use and cleaning.

For material care and maintenance instructions, scan the QR code using your mobile device.



Access the guide on your desktop at
framaph.com/pages/material-care-guide

FRAMA
Fredericiagade 57, 1310
Copenhagen K
+45 3140 6030 framacph.com

FRAMA