



EMBERSIDE

PATIO • HEARTH • HOME

SPKES-LP Safety Pilot Kit For LP (Propane) Gas only

IMPORTANT:

DO NOT USE THE LP (PROPANE) GAS ORIFICE HOLDER SUPPLIED WITH THIS KIT FOR NATURAL GAS INSTALLATIONS! IMPROPER COMBUSTION WILL OCCUR!



Illustrated Parts List

Part No.	Description	Part No.	Description	Part No.	Description
1	Control Knob	9	Nut (2)	17	LP (Propane) Gas Orifice Holder (No Orifice)
2	Gas Control Valve	10	Pilot supply line	A&B	LP Burner Orifices
3	Thermocouple lead connection	11	Heat Shield	National fuel gas code requirements mandate the use of a Safety Pilot Valve on all LP/Propane applications. These regulations MUST be followed on all installations of this type.	
4	Pilot Line Connection	12	Lock Nut (3/8 NPT)		
5	Pilot Burner Assembly	13	Street Elbow, 90 deg. (2)		
6	Pilot Bracket	14	3" Pipe Nipple		
7	Sheet Metal Screw (2)	15	3/8 Female Pipe Elbow		
8	Machine Screw (2)	16	Thread Sealant		

Read and follow ALL instructions carefully, as these supplemental *Pilot Assembly instructions* are to be used in conjunction with the *General Installation Instructions* supplied with all Emberside Vented Natural Gas Log Sets.

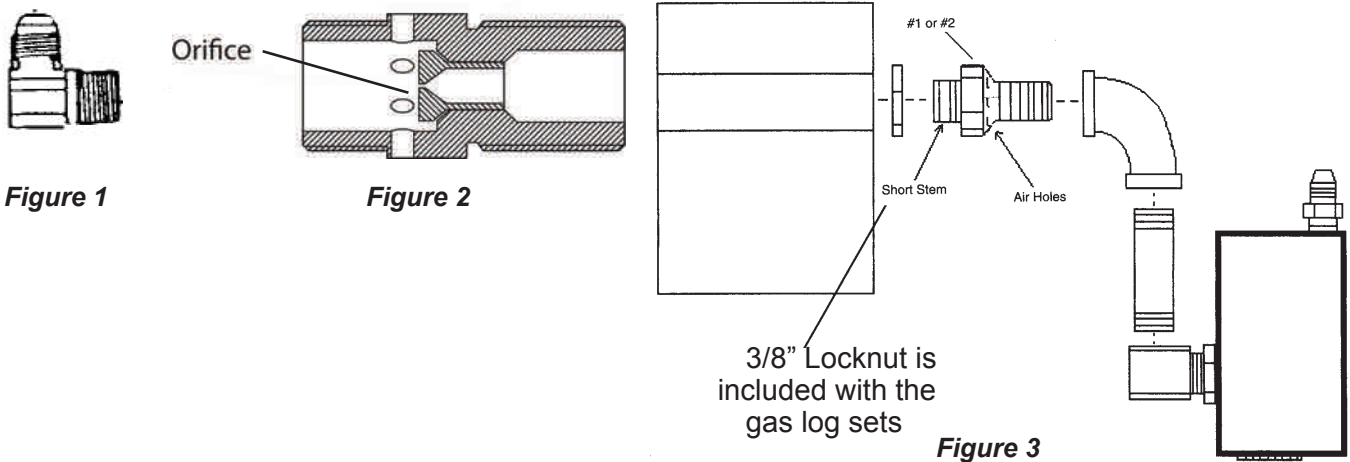
Emberside Dual-Burner Log Sets

INSTALLATION OF LP (PROPANE) GAS SAFETY PILOT VALVE

This Safety Pilot Kit contains a Control Valve certified by C.S.A., which provides a safe and convenient way to ignite your Emberside gas log set. It is used to convert your burner system to LP (Propane) gas, and is not for use with Natural Gas. If Natural Gas is needed for your installation, you will need to order SPKES-NG from our website instead of this kit.

Note: Use pipe compound on all male threads to seal joints.

- A. Replace the Natural Gas Orifice Holder (See *Figure 1*) from your Emberside Vented Gas Log set with the Air Shutter Orifice (included with this kit - See *Figure 2*). This kit also contains (2) L.P. Orifices, Part A and Part B. Part A, the orifice with the small inner hole is used on the 18" Log Sets. Part B, orifice with the larger hole is used on 24" and 30" log sets. Install the correct orifice into the LP orifice holder (See *Figure 2*). Now install the short stem on the Orifice Holder directly to the Burner System for proper operation.



- B. Attach Pilot Bracket (Part #6) to the Burner Pan using the sheet metal screws (Part #9). Install sheet metal screw into the two holes of the bracket (See *Figure 4*).

- C. Attach Pilot Gas Supply Line (Part #4) and the Thermocouple Lead (Part #3) to the Gas Control Valve

NOTE: When connecting to the Control Valve, hand tighten both the Pilot Gas Supply Line and Thermocouple Lead, then tighten 1/8 turn with a wrench.

DO NOT OVER TIGHTEN as this will cause the Pilot to not function properly.

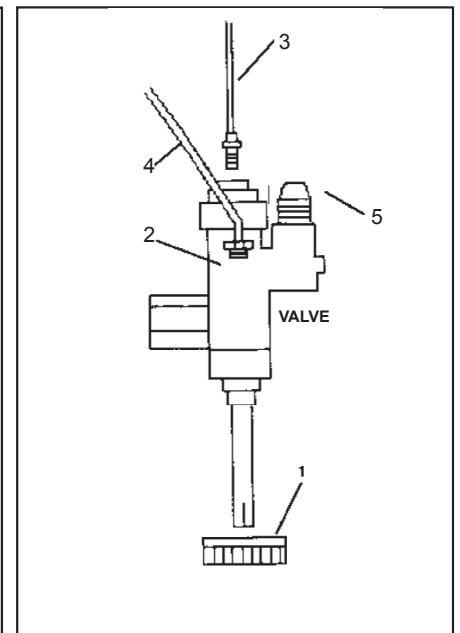
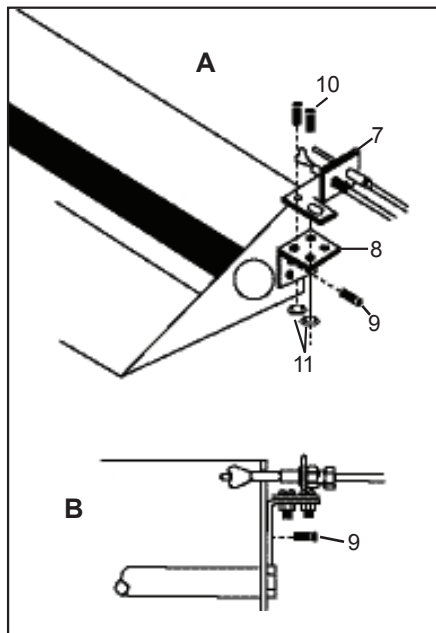


Figure 4
(A&B) Pilot Burner Assembly

Figure 5

Emberside Dual-Burner Log Sets

INSTALLATION OF LP (Propane) GAS PILOT VALVE (cont.)

- E. Connect the two 3/8" Street Elbows (Part #14) and screw the 3/8" Locknut (Part #13) down on the male threads of the elbow. Place the hole of the Heat Shield (Part #12) over the elbow and slide it down against the locknut. Apply pipe compound to the male threads of the elbow and attach it to the control valve. (See Figure 3)
- F. Using pipe compound, connect the 3" Nipple to the Street Elbow attached to the valve assembly and to the 3/8" Female Elbow. Connect the 3/8" Female elbow, which is now connected to the entire valve assembly, to the Burner Orifice using pipe compound. (See Figure 3)
- G. The valve assembly can be rotated to better conceal the controls. Simply rotate the entire valve assembly by turning the top 3/8" Street Elbow with a wrench. (See Figure 7)
- H. Attach Pilot Burner Assembly (Part #5) to the Pilot Bracket (Part #6) using the bolts (Part #8) and nuts (Part #9). See Figure 4 on the previous page. Carefully bend the Pilot tubing (Part #11) when attaching the Pilot Burner Assembly to the Burner Pan. Care should be taken not to kink the tubing which would restrict gas flow to the Pilot Burner.

NOTE: The Pilot Bracket utilizes four mounting holes for adjustment of the Pilot Burner Assembly should your installation require repositioning. Repositioning of the Pilot Burner Assembly may be necessary if the log set is experiencing intermittent shutdown. Shutdown is caused by overheating of the Pilot Burner Assembly by the main burner flame. If shut down is occurring, move the Pilot Burner Assembly over to the next mounting hole so that only the tips of the Pilot Burner Assembly are hanging over the Burner Pan.

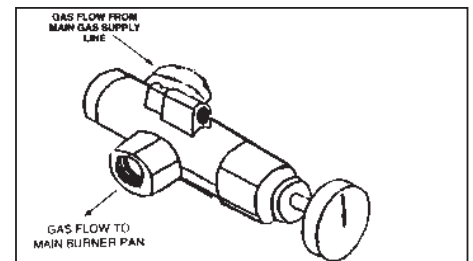


Figure 6

- I. Place the assembled Burner Pan with the Gas Control Valve in the center of the fireplace.
- J. Connect the 1/2" gas supply line from the fireplace to the 3/8" Straight Flared fitting on valve with the 3/8" Flared Tubing supplied with the gas log set. Refer to the General Installation Instructions section titled "Connecting Gas Supply to Burner Pan" for full instructions.
- K. Test connections for leaks with soapy water. Retighten if necessary, and retest the connections to determine if any other leaks are present.
- L. Refer the General Installation Instructions for Granule, Ember, Grate and Log placement. However, you will replace Heavy Media (Shale granules) supplied with the Natural Gas Log set with Vermiculite Granules supplied with this kit. **DO NOT USE** Heavy Media Granules as improper combustion will occur. After the Vermiculite Bed has been put in place, spread the Glowing Embers (insulation type material) supplied with the Gas Log Set over the Vermiculite Bed.

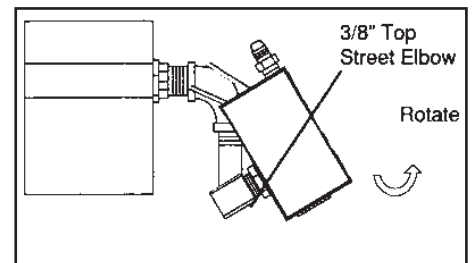


Figure 7

Emberside Dual-Burner Log Sets cont.

LIGHTING YOUR GAS LOGS WITH THE SAFETY PILOT KIT

1. Light Pilot

Turn Control Knob to Pilot Position (*Figure 8*), push knob fully in and hold a long lighted match at the outlet of Pilot Burner Assembly. After lighting the Pilot, hold the Control Knob in the ignition position for approximately 45 seconds. This is an adequate time for the Thermocouple to reach an operational temperature in order to keep the Pilot lit once the Control Knob is released. If the Pilot does not remain lit, turn the Control Knob to the Off position, wait 5 minutes, then repeat the process as outlined above.

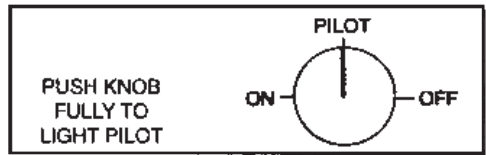


Figure 8- Rotate control valve to Pilot Position

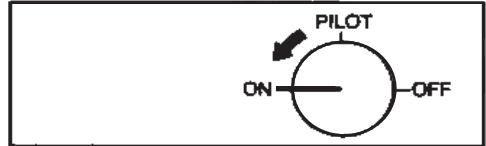


Figure 9- Rotate control valve to On Position to ignite burner

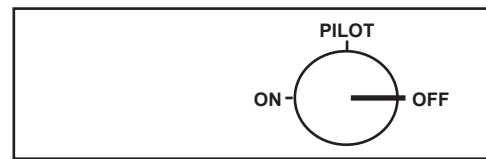


Figure 10- Rotate control valve to Off Position for both Pilot and Burner shutdown

NOTE: If the Pilot continues to go out, check to be sure the Pilot Thermocouple Lead (Part #5) has not been overtightened to the Gas Control Valve.

2. Burner Ignition

To light the Burner, turn the Control Knob counter clockwise from the Pilot Position to the On Position (*Figure 9*). In this position, both the Pilot Burner and Main Pan Burner will be lit.

3. Burner Shutdown

To turn off the Burner Pan, move the Control Knob clockwise back to the Pilot Position. This will extinguish the Main Burner Pan, but will keep the Pilot Burner lit for instantaneous ignition of the Main Burner Pan the next time you wish to use your gas log set.

4. Total Burner Shutdown

To turn off the gas supply to the Main Burner Pan and the Pilot Burner, move the Control Knob clockwise from the Pilot Position to the "OFF" Position (*Figure 10*).

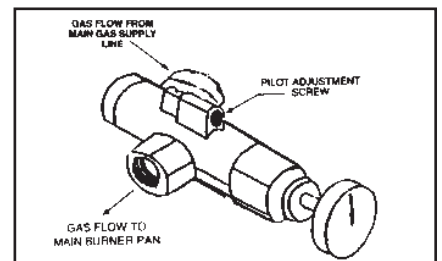


Figure 11 - Pilot Flame Adjustment Screw

NOTE: The Control Knob will need to be depressed slightly in order to move it from the Pilot Position to the "OFF" Position.

5. Pilot Flame Adjustment

The Thermocouple should be engulfed by the Pilot Flame by approximately 1/2". Should the Pilot flame become unable to heat the Thermocouple properly, you will need to adjust the Pilot flow adjustment. Adjust the height of the Pilot Burner flame by rotating the Pilot Adjustment Screw (*See Figure 11*) to the desired flame height.

NOTE: Be sure to turn Pilot Adjust Screw counter-clockwise (↺) two turns to get gas to flow to the Pilot. (*See Figure 11*).

Emberside Dual-Burner Log Sets cont.

TROUBLESHOOTING

PROBLEM	CAUSE	CORRECTIVE ACTION
1. Pilot noise	Excess pressure	<ul style="list-style-type: none"> • Check line pressure and adjust to 7 inch water column. • Adjust pilot flame.
2. Pilot will not light	Inadequate gas flow Thermocouple connection bad	<ul style="list-style-type: none"> • Check all valves • Clear obstructions • Check for line kinks • Loosen Thermocouple slightly and tighten finger tight, then 1/8 turn.
3. Pilot & Burner go out after burning for several minutes (up to one hour)	Overheating of Thermocouple	<ul style="list-style-type: none"> • Check to see that Main Burner Flames are not hitting the Thermocouple (move Pilot Assembly so only the tips of the Thermocouple and pilot are hanging over the burner pan). • Reposition logs, if that is the cause, move Main Burner flames away from the Thermocouple. • If you have glass doors, open them fully when operating your gas logs.

LIMITED WARRANTY

Warranty shall apply to the original purchaser at the original installation point only.

Pilot, valves and thermocouples are guaranteed for a period of one(1) year under the original manufacturers warranty.

General Warranty: This warranty does not apply in the case of improper installation, neglect, accident, misuse or as a result of modifications of the original product.

All costs for removal and re-installation are the expressed responsibility of the purchaser.

For repair, replacement, or service to defective part(s) please contact our Customer Service Hotline, number below. Thereafter with valid warranty registration and proof of purchase, call the Customer Service Hotline for authorization to ship defective part prepaid and insured in original carton back to Emberside at the following address: 213 New Porter Pike, Bowling Green KY 42103. Goods returned improperly packaged are the sole responsibility of purchaser.

It is agreed that any repair or replacement is the exclusive remedy from Emberside. In no case shall Emberside be liable for any consequential damage or breach of this or any other warranty expressed or implied whatsoever. This limitation as to consequential damages shall not apply in states where prohibited.

Purchased From: _____ Date: _____

Size: 18" 24" 30"

Model: **SPKES-NG Safety-Pilot Valve Kit**

Name: _____ Phone: _____

Address: _____

City: _____ State: _____ Zip: _____



EMBERSIDE

PATIO • HEARTH • HOME

www.emberside.com

Please photocopy and return to Emberside within 14 days of purchase.

If you have other questions, please contact the Customer Service Hotline - (800) 488-1711