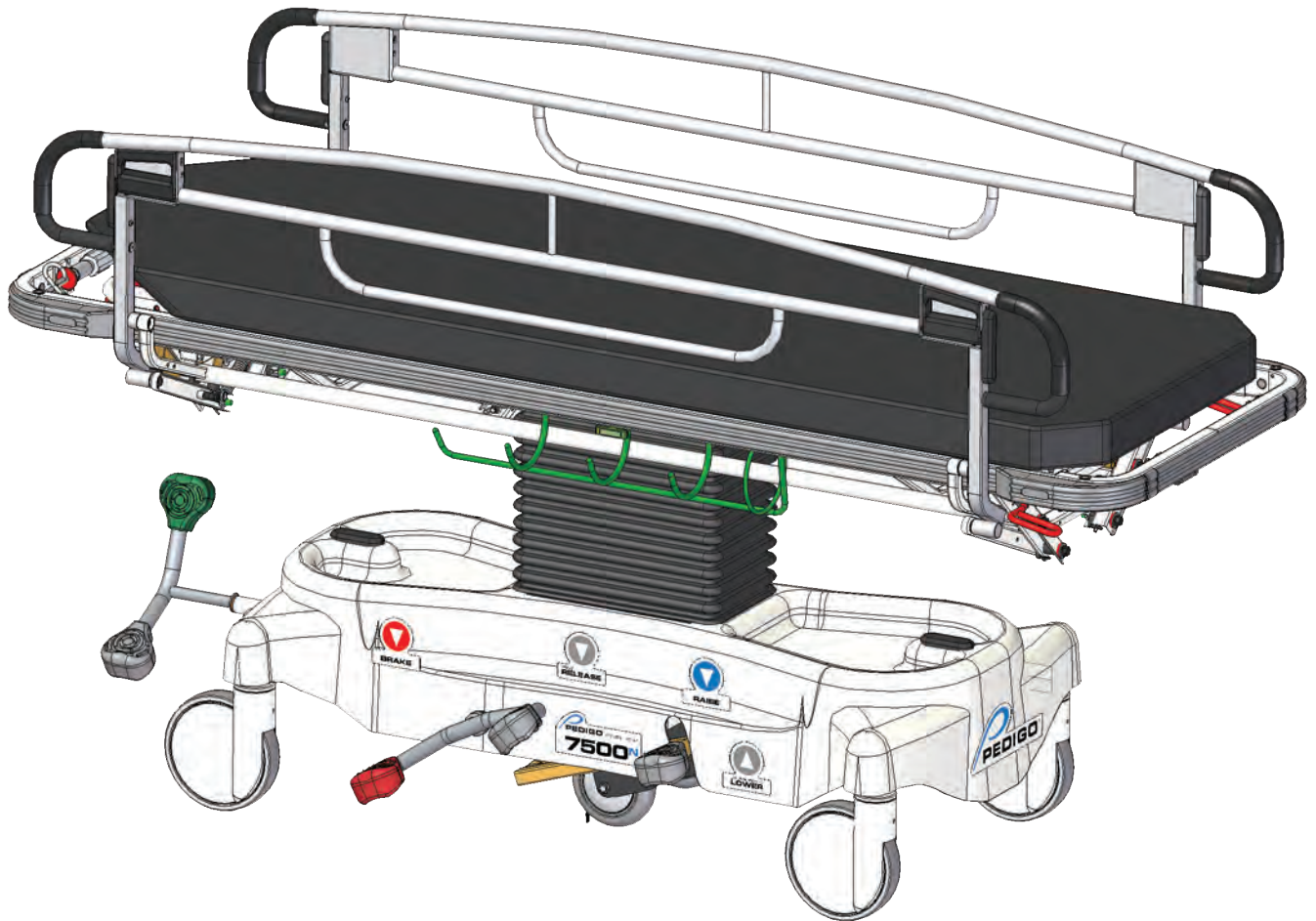




7500 Series Stretchers

7500^N / 7500^W

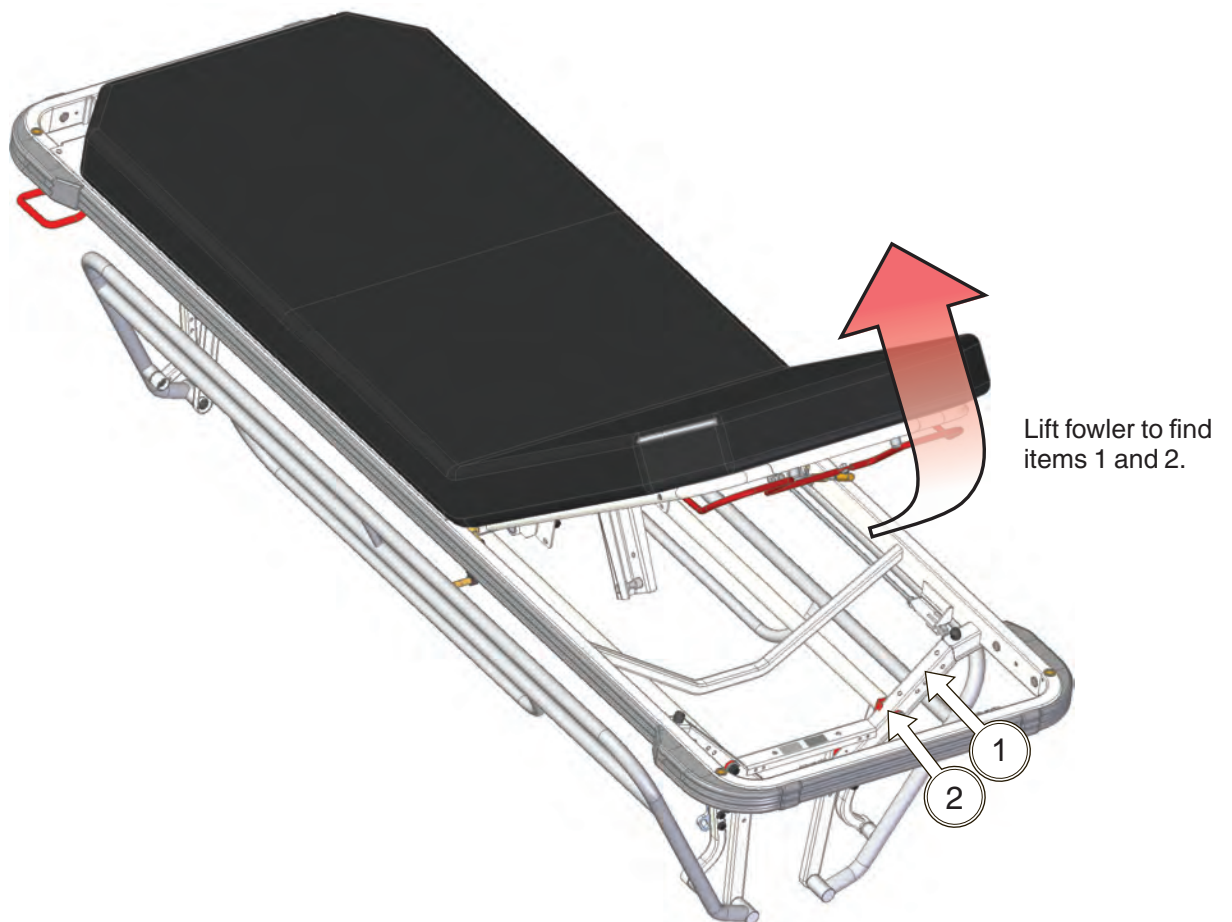
Installation & Operation Manual



Owner's Product Identification

Information that you will need to provide for servicing - key information is highlighted.

Date of Purchase	Serial Number (1)
Name of Owner / Facility / Department	Model Number and Weight Capacity (2)
Name of Authorized Pedigo Dealer	Telephone # of Authorized Pedigo Dealer
Address of Authorized Pedigo Dealer	



Contents

Owner's Product Identification	1
Important Information	3
Scope and Purpose of This Manual	3
Intended Use of Product	3
Safety Instructions.....	3
Explanation of Safety Symbols and Notes	4
Transportation and Storage Conditions	4
Installation	5
Unpacking	5
Checklist of Installed Options and Authorized Accessories	7
Description	8
Introduction	8
Features	8
Components Overview	9
Controls and Indicators	10
Stretcher Operation	12
IS6™ Instant Steer Six Wheel Steering	12
Braking Controls.....	13
Litter Top Height Adjustment	13
Hydraulic Release Option	13
Fowler Section Positioning - Pneumatic Fowler	14
Fowler X-Ray Cassette Holder.....	15
Full Length X-Ray Litter (Option)	16
Trendelenburg / Reverse Trendelenburg Positioning	17
Siderails	18
Oxygen Bottle Holder	19
Knee Flex / Leg Lift Options	20
Locating Sockets for I.V. Poles / Accessory Pockets	27
Operator Maintenance	28
Preventive Maintenance	28
Cleaning	28
Calling for Service	30
Specifications	31
Limited Warranty	32

Important Information

Scope and Purpose of This Manual

This manual covers complete instructions for the installation, operation, and normal care of the Model 7500-N / 7500-W Trauma Transport Stretcher . It is intended that this manual be used by any medical personnel responsible for operating the stretcher while transporting a patient, while performing a medical examination or procedure, or while performing operator-level maintenance.

Intended Use of Product

The intended use of this product is to support and transport patients throughout the hospital, clinic, same day or ambulatory surgery center, or any examination, treatment, or in-procedures environment. This could be before, during, and / or after diagnostic, therapeutic, interventional medical and / or surgical procedures, examinations, and / or treatment.

Safety Instructions

The primary concern of Pedigo is that this equipment is operated and maintained with the safety of the patient and staff in mind. To assure safer and more reliable operation:

- Read and understand this manual before attempting to install or operate the stretcher.
- Assure that appropriate personnel are informed on the contents of this manual; this is the responsibility of the purchaser.
- Assure that this manual is located near the stretcher, or if possible, permanently affixed to the stretcher.

Explanation of Safety Symbols and Notes



Indicates a hazardous situation, that, if not avoided, will result in death or serious injury. This signal word is limited to the most extreme situations.



Indicates a hazardous situation, that, if not avoided, could result in death or serious injury.



Indicates a hazardous situation, that, if not avoided, could result in minor or moderate injury. It may also be used to alert against unsafe practices.

**SAFETY
INSTRUCTIONS**

Safety instructions (or equivalent) signs indicate specific safety-related instructions or procedures.

NOTICE

Notice is used to address practices not related to physical injury. This includes instructions relative to preventing equipment damage and proper function.



Indicates that the action will result in movement of the Fowler function.



Indicates that the action will result in movement of the Trendelenburg / Reverse Trendelenburg function.

Transportation and Storage Conditions

Ambient Temperature Range	-30°C to +60°C (-22°F to 140°F)
Relative Humidity	10% to 90% (non-condensing)
Atmospheric Pressure	500hPa to 1060hPa (0.49atm to 1.05atm)

Installation

Unpacking

WARNING

The 7500-N stretcher weighs approximately 310 lbs (141 kgs) and the 7500-W stretcher weighs approximately 320 lbs (145 kgs). Get an assistant if necessary and use proper lifting techniques. Failure to do so could result in serious back injury or other injury.

NOTICE

To avoid damaging the stretcher's upholstered top or other components, do not use a knife or other sharp object to open the stretcher's packaging. Also, do not depress the pump pedal prior to cutting the banding strips. Failure to do so may damage the stretcher.



Indicates that the product is fragile; do not handle roughly.

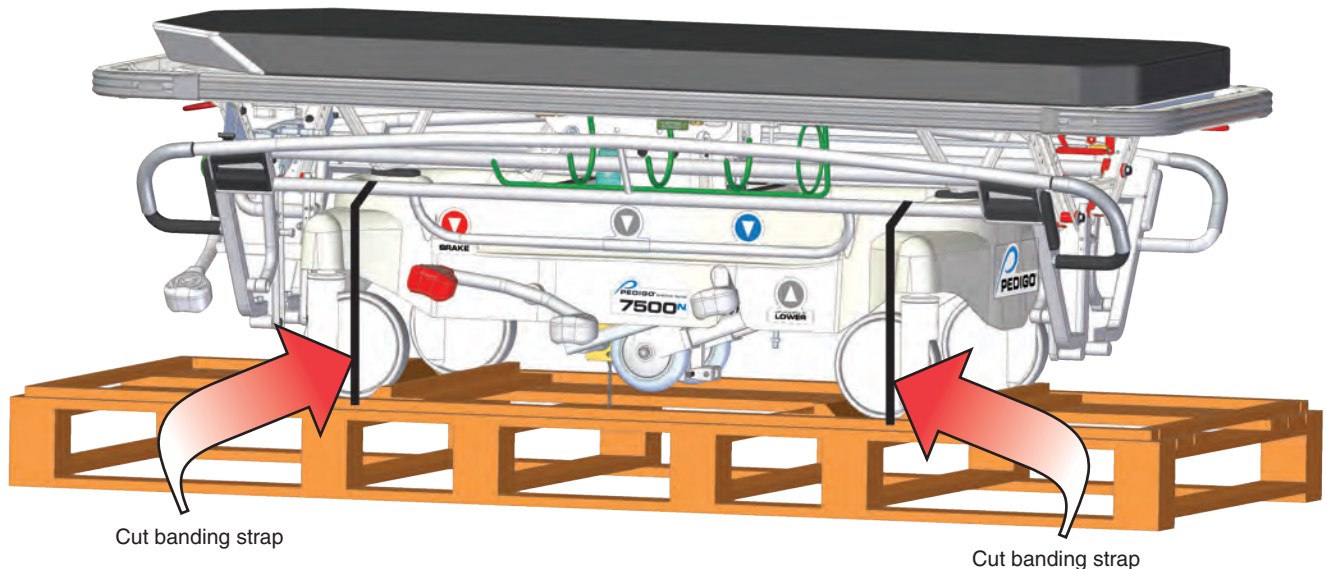


Indicates that the product must be kept dry.



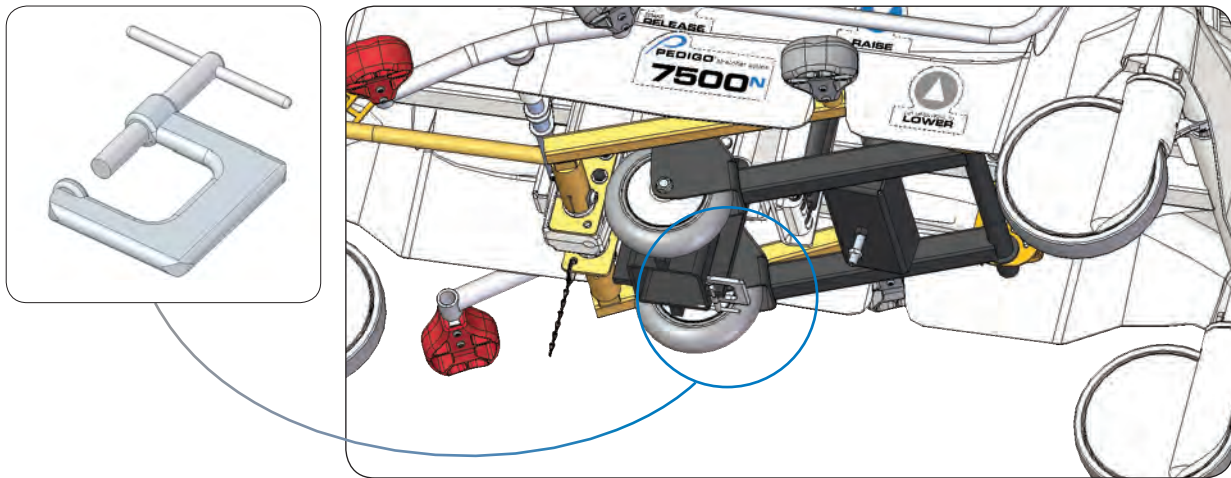
Indicates the proper shipping orientation for the product.

1. Carefully remove the packaging from the stretcher.
2. Cut the two banding straps.

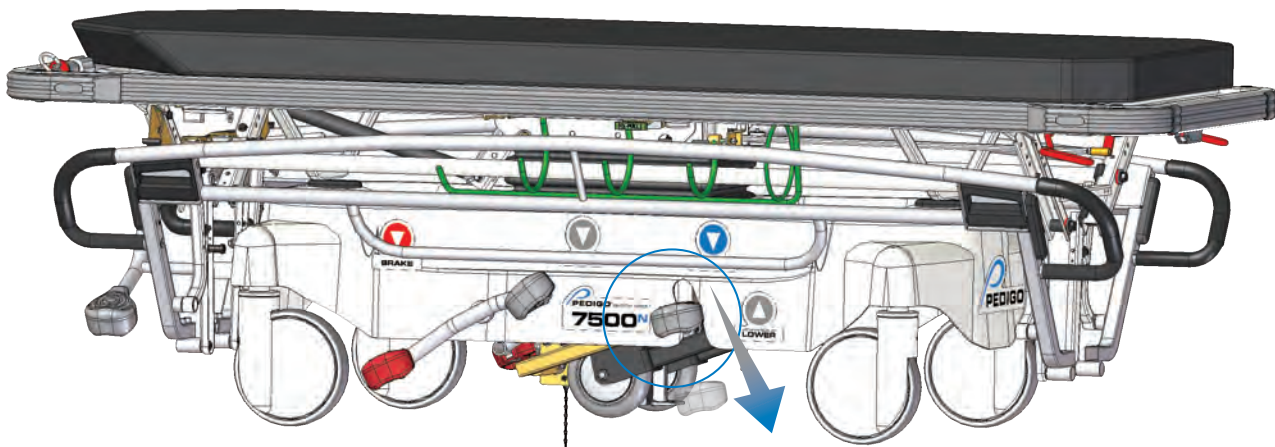



3. Lift the stretcher off the shipping skid and allow caster wheels to rest firmly on the floor.

4. Remove the column clamp.



5. Raise the litter to its maximum height by pumping the pedal highlighted below. For more information, see [Litter Top Height Adjustment on page 13](#).
6. Inspect the stretcher for any shipping damage. Report any damage to the shipping company and fill out a concealed damage report.



 Pump the single grey pump pedal down to raise the litter to its maximum height.

NOTICE

General items to inspect for shipping damage are:

- 1) Stretcher height adjustment is working properly.
- 2) Stretcher does not roll when the brakes are engaged.
- 3) Mattress is not torn or damaged, etc.
- 4) Steering works properly.
- 5) Trendelenburg and Fowler work properly.
- 6) Knee-flex (option) works properly.

Checklist of Installed Options & Authorized Accessories

The options and accessories that are authorized for use with the stretcher are listed below. Options are factory installed. Accessories do not require factory installation. Check all the options and accessories installed or shipped with your stretcher.

<input checked="" type="checkbox"/>	Option Name	Item Number Narrow	Item Number Wide
<input type="checkbox"/>	Full X-Ray Litter Top	750203	750204
<input type="checkbox"/>	Partial X-Ray Fowler	750205	750206
<input type="checkbox"/>	CuVerro® Side Rail Upgrade	750302	
<input type="checkbox"/>	Red Bumpers	750401	
<input type="checkbox"/>	Teal Bumpers	750402	
<input type="checkbox"/>	Paper Roll Holder 18" (exc. Knee Flex)	5966001	
<input type="checkbox"/>	Paper Roll Holder 21" (exc. Knee Flex)	5966003	
<input type="checkbox"/>	IV Caddy	59163001	
<input type="checkbox"/>	IV Pole With Storage Tube	750501	750502
<input type="checkbox"/>	IV Pole, Fold Down	59175001	
<input type="checkbox"/>	Digital Scale	750214	
<input type="checkbox"/>	Extra Release Pedal	750106	
<input type="checkbox"/>	Pneumatic Assist Fowler (400N)	750602	
<input type="checkbox"/>	Storage Bag Hook	750215	

<input checked="" type="checkbox"/>	Accessory Name	Narrow Item Number	Wide Item Number
<input type="checkbox"/>	IV Pole, Fold Down	59175001	
<input type="checkbox"/>	IV Pole, Fixed height	2101	
<input type="checkbox"/>	IV Pole, 7/8" Adjustable/removable	5984001	
<input type="checkbox"/>	IV 7/8" storage tube, with cable attachment	5983001	
<input type="checkbox"/>	O2 Holder, Vertical	5981001	
<input type="checkbox"/>	Restraint Straps, Velcro, pair	5903001	
<input type="checkbox"/>	Restraint Straps, Buckle, pair	5904001	
<input type="checkbox"/>	Chart Holder Requires: 5985001 (N) / 5986001 (W) or 59115001 (N) / 59116001 (W)	5967001	
<input type="checkbox"/>	Siderail Pads, pair	5716001	
<input type="checkbox"/>	Head/Foot Extension Pad, 3" pad	5708001	
<input type="checkbox"/>	Head/Foot Extension without pad	5996001	5997001
<input type="checkbox"/>	Push/Pull Bar - Removable	5985001	5986001
<input type="checkbox"/>	Push/Pull Bar Pad	5704001	5705001
<input type="checkbox"/>	Monitor Tray Board, with chart holder	59115001	59116001
<input type="checkbox"/>	Stirrups-Set Includes: 5994001	59100001	
<input type="checkbox"/>	3" Standard Mattress (Black)	5828002	5831002
<input type="checkbox"/>	3" Premium Mattress (Blue)	5850002	5852002
<input type="checkbox"/>	4" Standard Mattress (Black)	5829002	5832002
<input type="checkbox"/>	4" Premium Mattress (Blue)	5851002	5853002
<input type="checkbox"/>	4" Pressure Relief Mattress	5833002	5834002
<input type="checkbox"/>	5" Premium Mattress (Blue) Special Order Only	5855002	5856002

Description

Introduction

The Model 7500-N / 7500-W Trauma/Transport Stretcher is primarily used to support and transport patients in any treatment or procedures environment, and may be used for general examinations and procedures. The stretcher's litter top height is hydraulically adjustable through the use of a foot pedal. The litter top is infinitely adjustable from a full horizontal table position to a full sitting position through the use of a pneumatic Fowler assist. Also, the litter top can be pneumatically adjusted into the Trendelenburg and Reverse Trendelenburg positions. For additional features, options, and accessories, see Checklist of Installed Options and Authorized Accessories on page 7.

Features

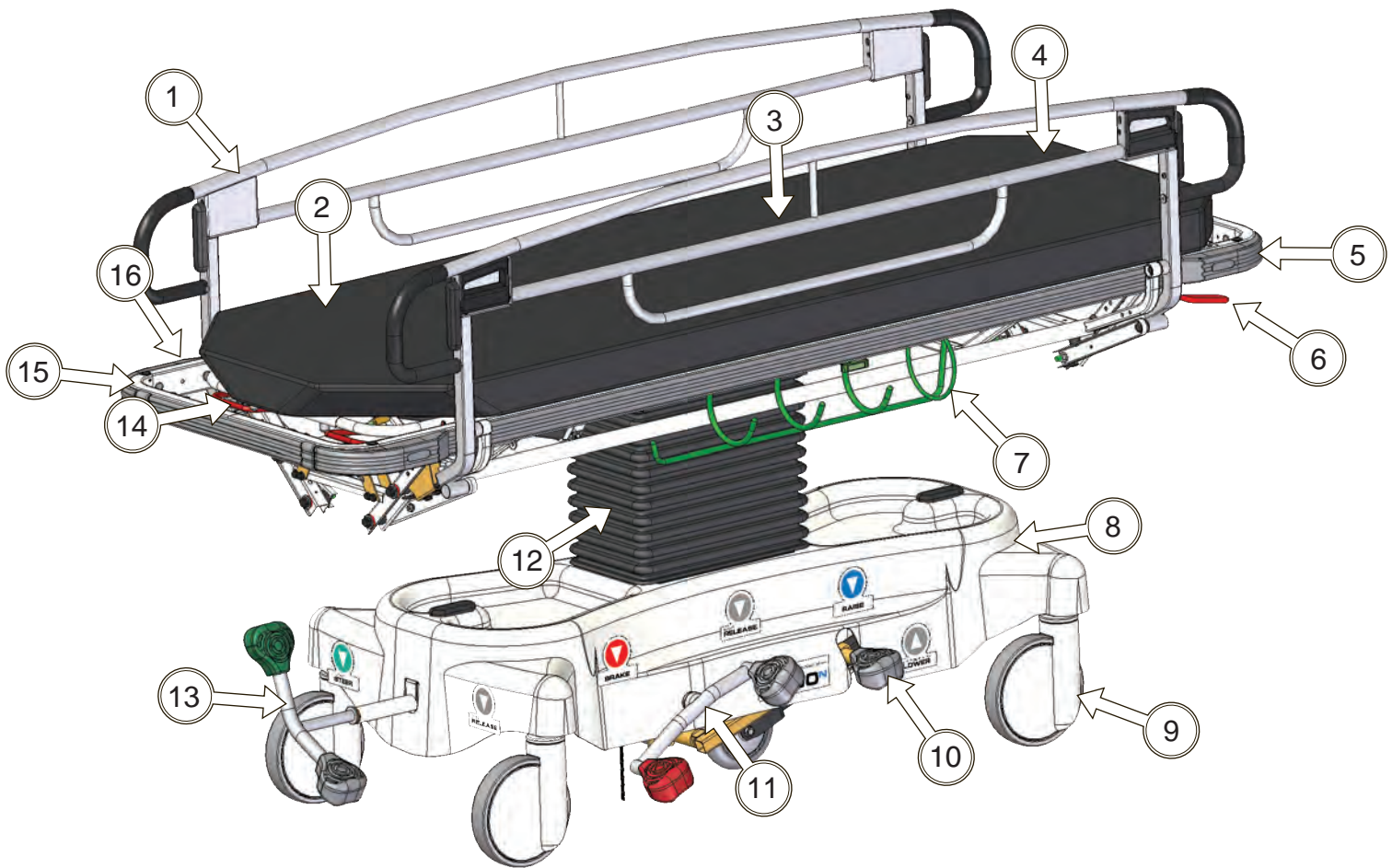
- Hydraulically-adjustable litter top height, which can be adjusted from 23.25 in. to 33.00 in.
- Pneumatically-assisted Fowler backrest, which can be easily adjusted from full flat (horizontal) position to a full sitting (+90°) position.
- Pneumatically-assisted litter top, which can be easily adjusted into the Trendelenburg (+12°) and Reverse Trendelenburg positions (-7°).
- Level lock feature, which automatically stops the litter top in a horizontal position when returning from a Trendelenburg or Reverse Trendelenburg position.
- Instant Steer™ is standard. This system uses central fixed casters to allow the stretcher to pivot around its center for better steering and turning control, as well as straight-line movement down a hallway.
- Full length, tuck-away siderails that prevent finger pinching, allows closer access to the patient, and allows for a zero transfer gap for easier patient transfer.
- Four I.V. rod positions for option fixed or adjustable I.V. poles.
- Safe Store oxygen bottle holder (patented) protects the oxygen bottle and regulator by securing them under the litter. The user can change the oxygen bottle without bending over, preventing back injuries.
- Gray bumpers are standard



The maximum patient weight allowed on the stretcher litter top is 750 lbs (340 kg). Failure to adhere to this limit could result in personal injury to the patient..

Components Overview

The stretcher's major components locations and names are shown below.

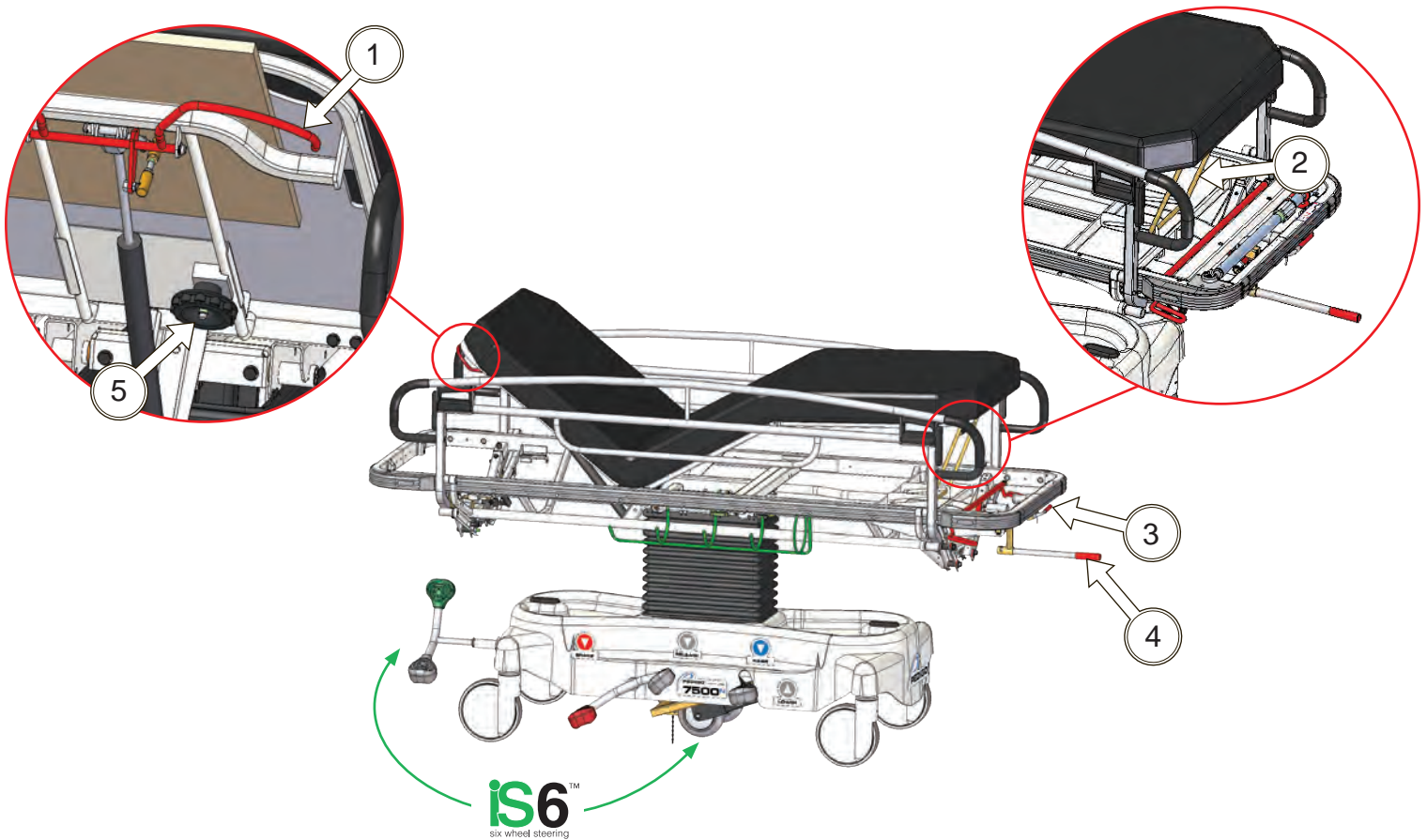


Description of Components

1. Siderails	9. Casters
2. Mattress	10. Litter Top Lift / Lower Pedal
3. Thigh Section <i>(only on units with Knee Flex option)</i>	11. Brake Control Pedals
4. Foot Section <i>(only on units with Knee Flex option)</i>	12. Elevation Column
5. Bumpers	13. Instant Steer™ Control Pedals
6. Trendelenburg Control	14. Fowler Control
7. O ₂ Holder	15. Litter Top (adjustable height)
8. Chassis	16. Fowler Section - adjustable <i>(optional X-ray cassette holder)</i>

Controls and Indicators

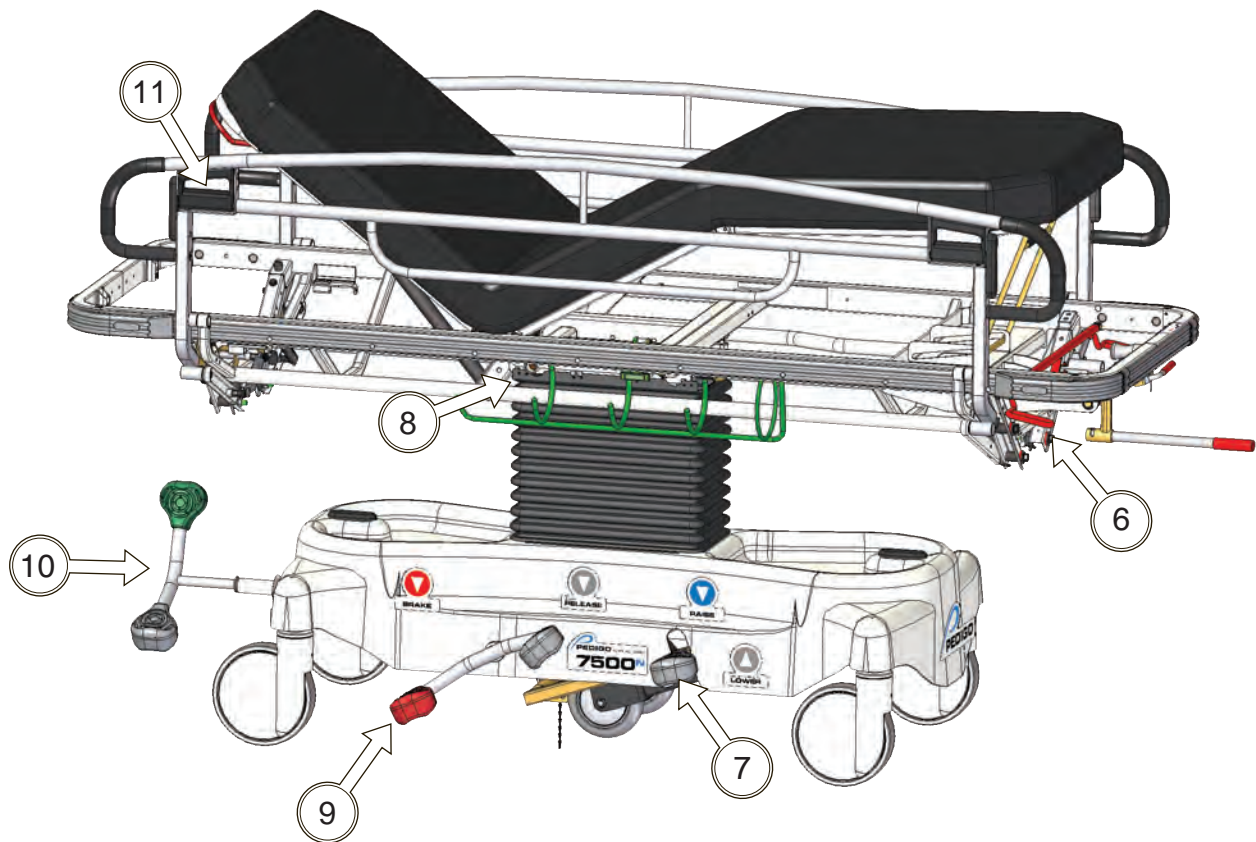
The illustrations below shows the location of the stretcher's controls and indicators. The table below describes their function.



Reference / Control	Function
1. Fowler Handles (red)	When squeezed, releases the Fowler pneumatic gas spring, allowing the Fowler (back) section to be raised or lowered. See “Fowler Section Positioning - Pneumatic Fowler” on page 14.
2. Knee Flex Option Bail Rod	Controls the Knee Flex bail rod. Used to move the bail rod to the locked position when the Knee Flex section of the litter top is raised up into the raised (Trauma, Leg Lift, or Knee Flex) position. Also used to unlock the Knee Flex bail rod when the litter top is being returned to the flat or Knee Flex position. See “Knee Flex / Leg Lift Options” on page 20.
3. Knee Flex Option Release Handle	Squeeze to release the Knee Flex position. See “Knee Flex Position” on page 26.
4. Knee Flex Option Pump Handle	Used to raise or lower the thigh section of the litter top to achieve the trauma, leg lift, or knee flex position. See “Trauma Position Using Hydraulic (Option)” on page 26.
5. X-Ray Fowler Option Cassette Holder Locking Knob	Used to secure the cassette holder in position after it has been positioned as desired. See “Fowler X-Ray Cassette Holder (Option)” on page 15.

Controls and Indicators

The illustrations below shows the location of the stretcher's controls and indicators. The table below describes their function.



Reference / Control	Function
6. Trendelenburg Release Handles (red)	When squeezed, releases the Trendelenburg pneumatic gas spring, allowing the litter top to be moved into the Trendelenburg or Reverse Trendelenburg position. See “Trendelenburg / Reverse Trendelenburg Positioning” on page 17.
7. Pump Pedal	Used to raise or lower the litter top. The litter top raises or lowers smoothly. See “Litter Top Height Adjustment” on page 13.
8. O ₂ Release Handle (<i>only on units with optional O₂ Bottle Holder</i>)	Pull to release O ₂ bottle. Push O ₂ bottle cradle up and in simultaneously toward the litter. The holder will latch. See “Oxygen Bottle Holder” on page 19.
9. Brake Pedal	Used to engage brake. See “Braking Controls” on page 12.
10. Steering Function Pedals	Used to engage and release the IS6. See “Instant Steer 6 Wheel Steering” on page 13.
11. Siderail Release Handles (black)	Used to release the siderail so it may be lowered. See “Siderails” on page 18.

Stretcher Operation

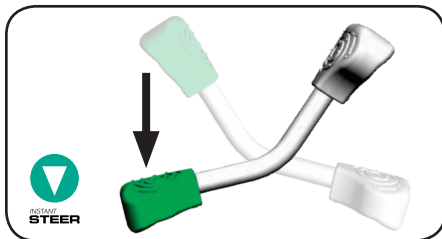
IS6 Instant Steer™ Six Wheel Steering Controls

Instant Steer stretchers have separate steering and braking controls. Steering is controlled by the double ended pedal control at the head end of the stretcher. Braking is controlled by the double-ended pedal controls at the sides of the stretcher

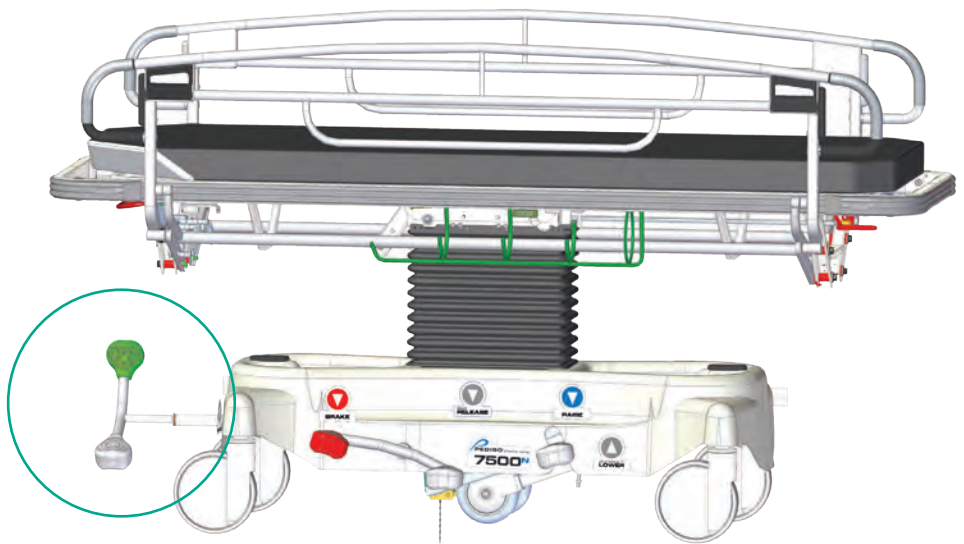
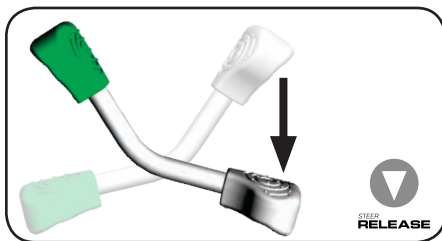


This double-ended pedal controls **steering**.

Steering On



Neutral



WARNING

Always engage steering when transporting patients to ensure control over the stretcher's path. Also, seek assistance when transporting down a steep incline to prevent loss of control of stretcher. Failure to do so could result in personal injury to patient or staff.

NOTICE

Always engage steering when transporting patients to ensure control over the stretcher's path. Also, seek assistance when transporting down a steep incline to prevent loss of control of stretcher. Failure to do so could result in equipment damage

Engage steering by pressing down on the green pedal. This lowers two casters under the center of the stretcher, which allows the stretcher to pivot about its center. In addition, this allows the stretcher to roll straight when pushed down a hallway. Release steering by pressing down on the grey pedal at the head end. This raises the steering casters and places the stretcher in Neutral mode. Neutral is used to position the stretcher in a room, against a wall, or closer to a bed to transfer a patient.

Braking Controls

Braking locks the casters so they cannot roll and the stretcher cannot be moved.

Engage the brakes by pressing down on the red pedal on either side of the stretcher. **Release the brakes** by pressing down on the grey pedal on the dual-pedal on either side of the stretcher.

! WARNING

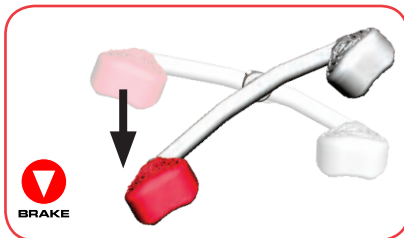
Make sure the stretcher does not roll with the brakes engaged. Also, make sure to engage the brakes when the stretcher is left unattended. Failure to do so could result in personal injury to patient or staff.

NOTICE

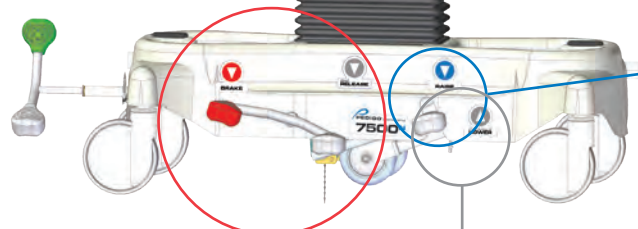
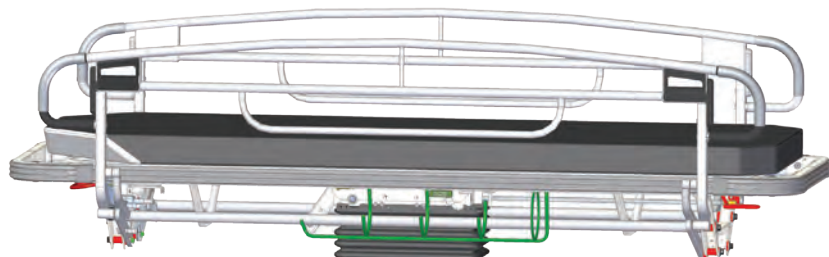
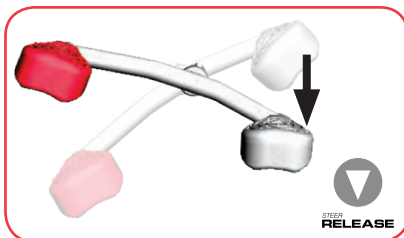
Make sure the stretcher does not roll with the brakes engaged. Also, make sure to engage the brakes when the stretcher is left unattended. Failure to do so could result in equipment damage.

This double-ended pedal controls **braking**.

Brakes On



Neutral



The Litter Top Lift/Lower Pedal is used to **raise or lower the litter top** (see Litter Top Height Adjustment on page 15).

Lower the litter by lifting the Litter Top Lift/Lower Pedal with your foot.

Litter Top Height Adjustment

The litter top can be hydraulically positioned at any height from 59.1 cm (23.25 in.) to 83.8 cm (33.00 in.). A single grey pump pedal, referred to as Litter Top Lift/Lower Pedal, is located on each side of the stretcher, as shown below:

To raise the litter top, depress the Litter Top Lift/Lower Pedal to the floor and repeat until the desired litter height is reached.

To lower the litter top, lift the Litter Top Lift/Lower Pedal. Remove your foot from the pedal when the desired height is reached.

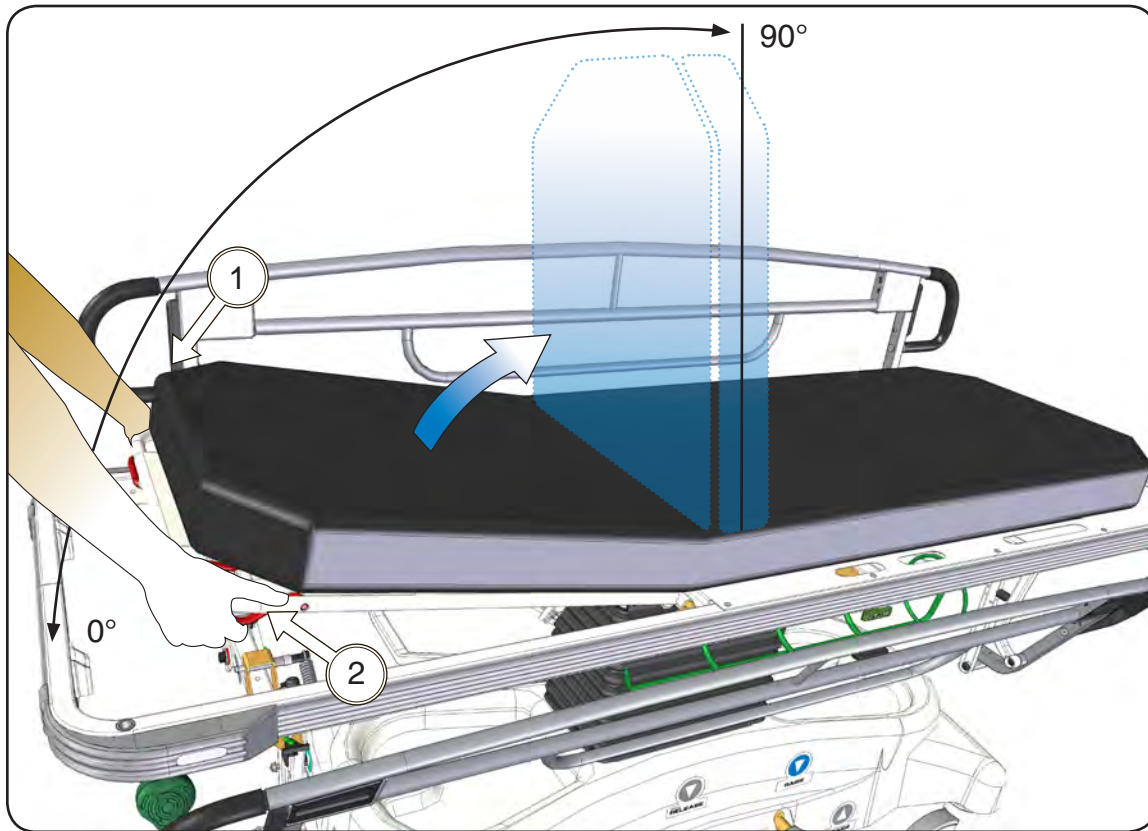
Hydraulic Release Option

The Hydraulic Release Option is a factory-installed option. This allows the operator to lower the litter by depressing the Hydraulic Release Pedal, instead of lifting up on the Litter Top Lift/Lower Pedal.



Depress the Hydraulic Release Pedal to lower the litter top.

Fowler Section Positioning - Pneumatic Fowler



WARNING

Firmly grasp the Fowler section with both hands during positioning. Failure to do so could result in personal injury to the patient, back injury to the operator, or the operator's fingers could be pinched.

The Fowler section (1) can be positioned at any angle between horizontal (0°) and a full sitting position (+90°). To raise or lower the Fowler section, do the following:

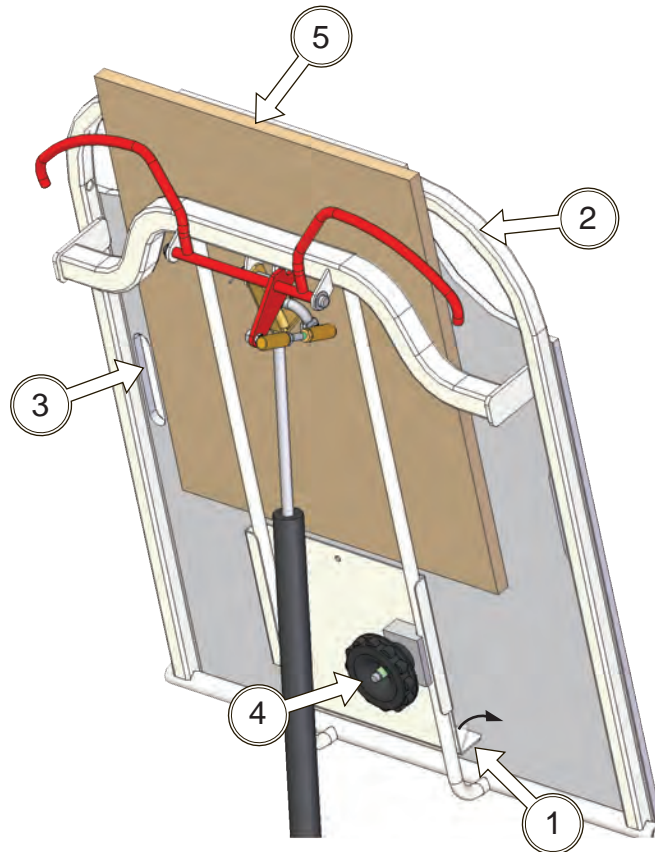
1. Firmly grasp the end of the Fowler section (1), located on the head end of the stretcher, with both hands.
2. Squeeze the Fowler release handle (2) upward.

Push or pull (depending on the patient's size) the Fowler section (1) upward or downward until the desired position is achieved. When the Fowler section (1) is in the desired position, release the Fowler release handle (2) to lock the Fowler section in place.

Fowler X-Ray Cassette Holder (Option)

NOTICE

The Fowler section (2) may be positioned before or after the X-Ray cassette is loaded. However, if the Fowler section is positioned after the cassette tray is loaded, check to make sure the X-Ray cassette is still positioned at the correct vertical height. If not, reposition the X-Ray cassette. Failure to do so could result in a badly positioned X-Ray image.



To load an X-Ray cassette, do the following:

1. Rotate the cassette holder support hinge (1) upward until it is perpendicular to the Fowler section (2).
2. From the head end of the table, slide a new X-Ray cassette (5) between the frame of the Fowler section (2) and cassette holder (3) until it comes to rest against the support hinge (1).

To position the X-Ray cassette vertically, do the following:

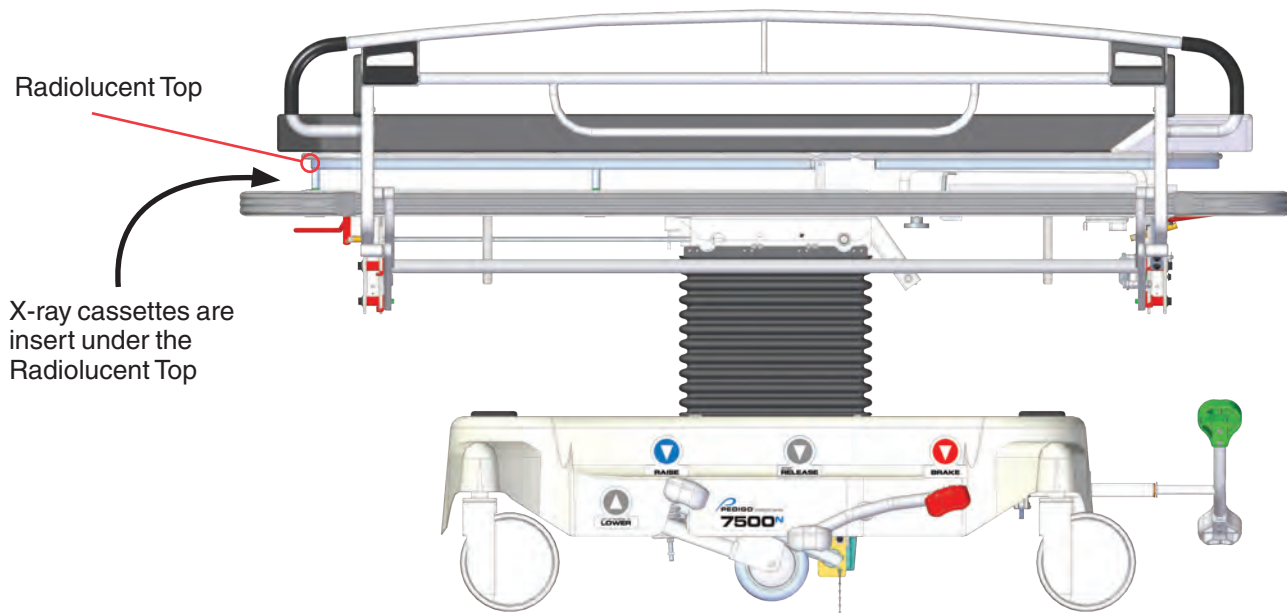
1. Loosen cassette holder locking knob (4) by turning it counterclockwise.
2. Then, slide the cassette holder (3) up or down as necessary.
3. Secure the cassette holder (3) in the desired position by tightening the cassette holder locking knob (4) by turning it clockwise.

To remove an X-Ray cassette, do the following:

1. Grasp the X-Ray cassette (5).
2. Pull it toward the head end of the table until it is free of the Fowler section (2) and cassette holder (3).

Full Length X-Ray Litter (Option)

The optional Full Length X-Ray Litter elevates the patient surface on a radiolucent top that allows X-ray cassettes to be positioned under the patient



Trendelenburg / Reverse Trendelenburg Positioning



WARNING

Firmly grasp the litter top with both hands during positioning. Failure to do so could result in personal injury to the patient or the operator.

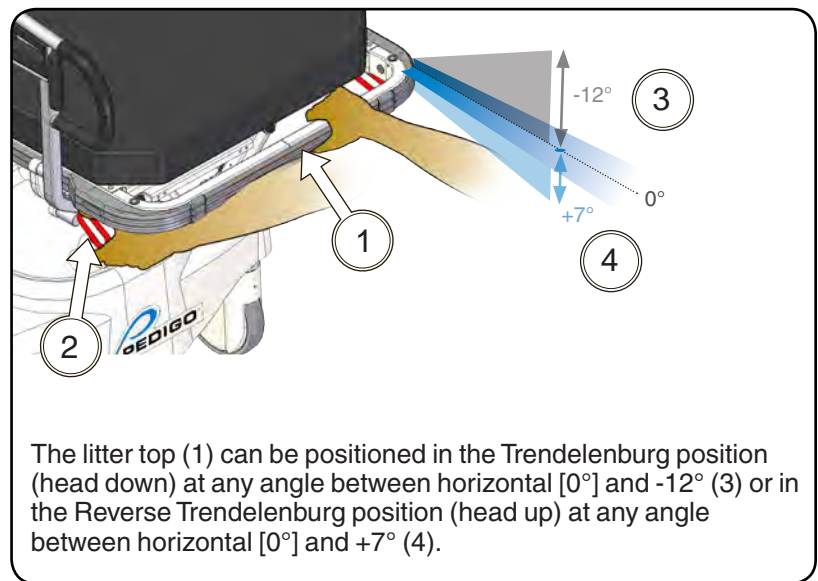
Trendelenburg Positioning

To position the litter top (1) in a Trendelenburg position:

1. Grasp the foot end of litter top with both hands.
2. Squeeze the Trendelenburg release handle (2) upward.
3. Pull (depending on the patient's size) the litter top (1) upward until the desired position is achieved.
4. When the litter top (1) is in the desired position, release the Trendelenburg release handle (2) to lock the litter top in place.

To return the litter top (1) to a horizontal position from the Trendelenburg position:

1. Grasp the foot end of litter top with both hands.
2. Squeeze the Trendelenburg release handle (2) upward.
3. Push (depending on the patient's size) the litter top (1) downward until the horizontal (0°) position is achieved; the litter top will automatically stop when the horizontal position is reached.
4. When the litter top (1) contacts the level lock stop with an audible click, release the Trendelenburg release handle (2) to lock the litter top in place.

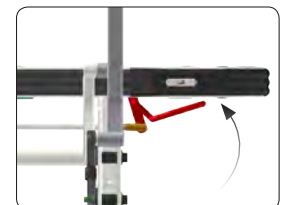


The litter top (1) can be positioned in the Trendelenburg position (head down) at any angle between horizontal [0°] and -12° (3) or in the Reverse Trendelenburg position (head up) at any angle between horizontal [0°] and +7° (4).

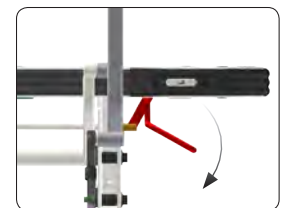
Reverse Trendelenburg Positioning

To position the litter top (1) in a Reverse Trendelenburg position:

1. Grasp the foot end of litter top with one hand.
2. Squeeze the trendelenburg release handle (2) with other hand.
3. Lift the litter top slightly to remove pressure on the level lock.
4. Push down on the Trendelenburg release handle (2) with one hand while holding the litter top with the other hand. This engages the trendelenburg cylinder and disengages the level lock.
5. Push the litter top (1) downward until the desired position is achieved.
6. Release the Trendelenburg release handle (2) to lock the litter top in place.



SQUEEZE HANDLE



PUSH DOWN ON HANDLE

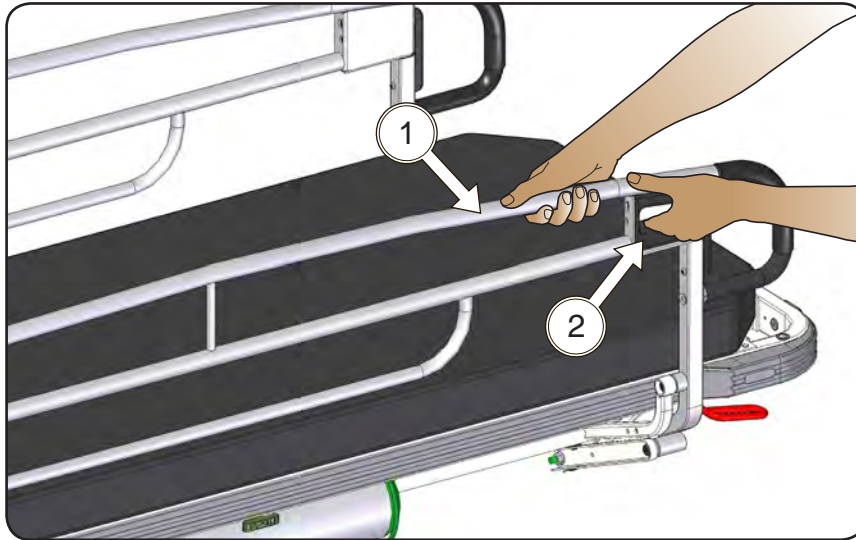
To return the litter top (1) to a horizontal position from the Reverse Trendelenburg position:

1. Grasp the foot end of the litter top with one hand.
2. Squeeze the Trendelenburg release handle (2) with other hand.
3. Pull the litter top (1) upward until the foot end of the litter top is above the horizontal (0°) position.
4. Push the litter top (1) downward until the horizontal (0°) position is achieved; the litter top will automatically stop when the horizontal position is reached.
5. When the litter top (1) contacts the level lock stop with an audible click, release the Trendelenburg release handle (2) to lock the litter top in place.

Siderails

! WARNING

Firmly grasp the siderail with both hands while raising or lowering. Failure to do so could result in personal injury to patient or the operator.



To lower a siderail

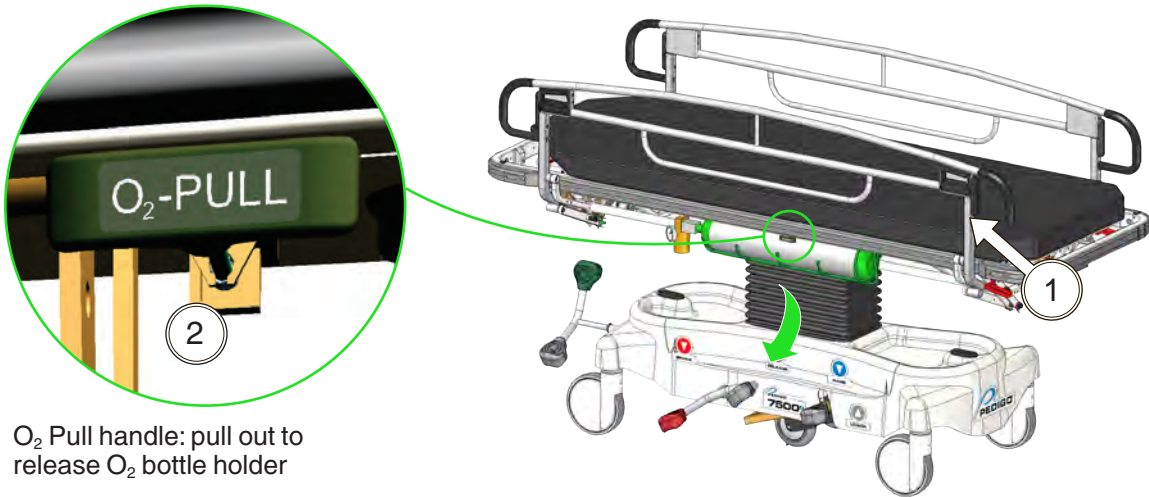
1. Grasp the siderail firmly with both hands and then pull outward on the siderail release handle.
2. Release the latch and gently lower the siderail down.

To raise the siderail

1. Grasp the siderail firmly with both hands and lift the siderail up until the latch automatically locks and secures the siderail in the up position.

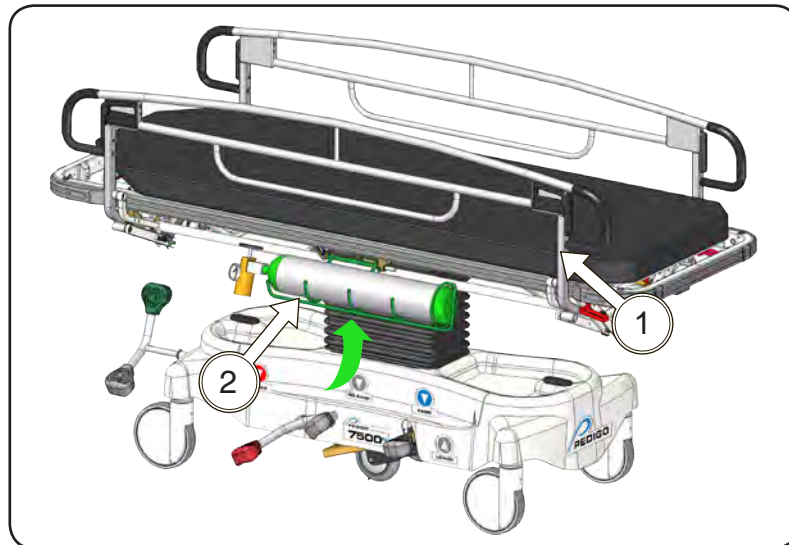
Oxygen Bottle Holder

Lower Oxygen Holder



1. Ensure the siderail is in its latched position.
2. Lower the O₂ holder by pulling the “O₂ Pull” handle straight out.

Raise Oxygen Holder



1. Ensure the siderail is in its latched position.
2. Hold the O₂ bottle holder near the center by cupping your hand underneath it. Push the O₂ bottle holder up in an arc until it goes past the latch with an audible “click”. This requires 18-25 pounds of force, approximately the weight of a half-sack of flour. The O₂ holder is now in the latched position.

WARNING

Always push the O₂ holder into the latch position before lowering the siderail. Failure to do so could result in possible injury to user and/or patient

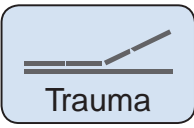
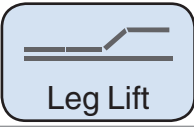
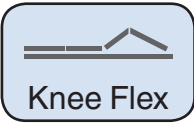
NOTICE

Always push the O₂ holder into the latch position before lowering the siderail. Failure to do so could result in damage to O₂ bottle, regulator, and connecting O₂ lines.

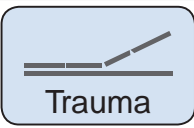
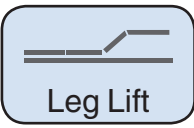
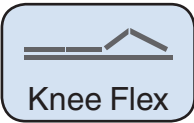
Knee Flex / Leg Lift Options

A stretcher equipped with the Knee Flex option can be placed in the Trauma, Leg Lift, and Knee Flex positions from the foot end of the stretcher.

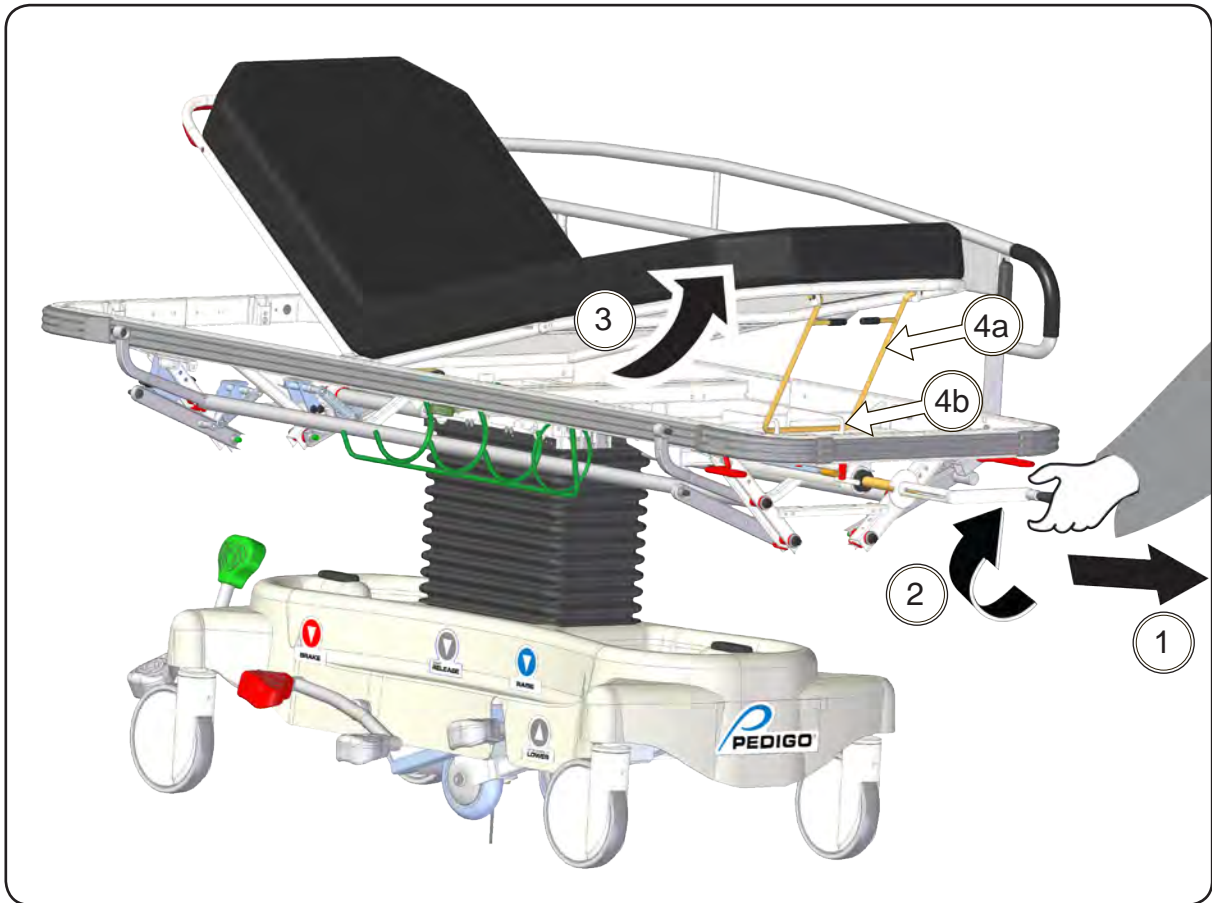
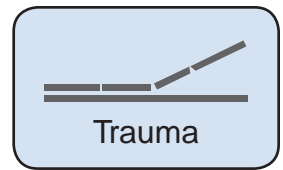
Hand Crank Option

Trauma Position Using Hand Crank	 Trauma	Page 23
Leg Lift Position Using Hand Crank	 Leg Lift	Page 24
Knee Flex Position Using Hand Crank	 Knee Flex	Page 25

Hydraulic Option

Trauma Position Using Hydraulic pump	 Trauma	Page 26
Leg Lift Position Using Hydraulic pump	 Leg Lift	Page 27
Knee Flex Position Using Hydraulic pump	 Knee Flex	Page 28

Trauma Position Using Hand Crank (Option)



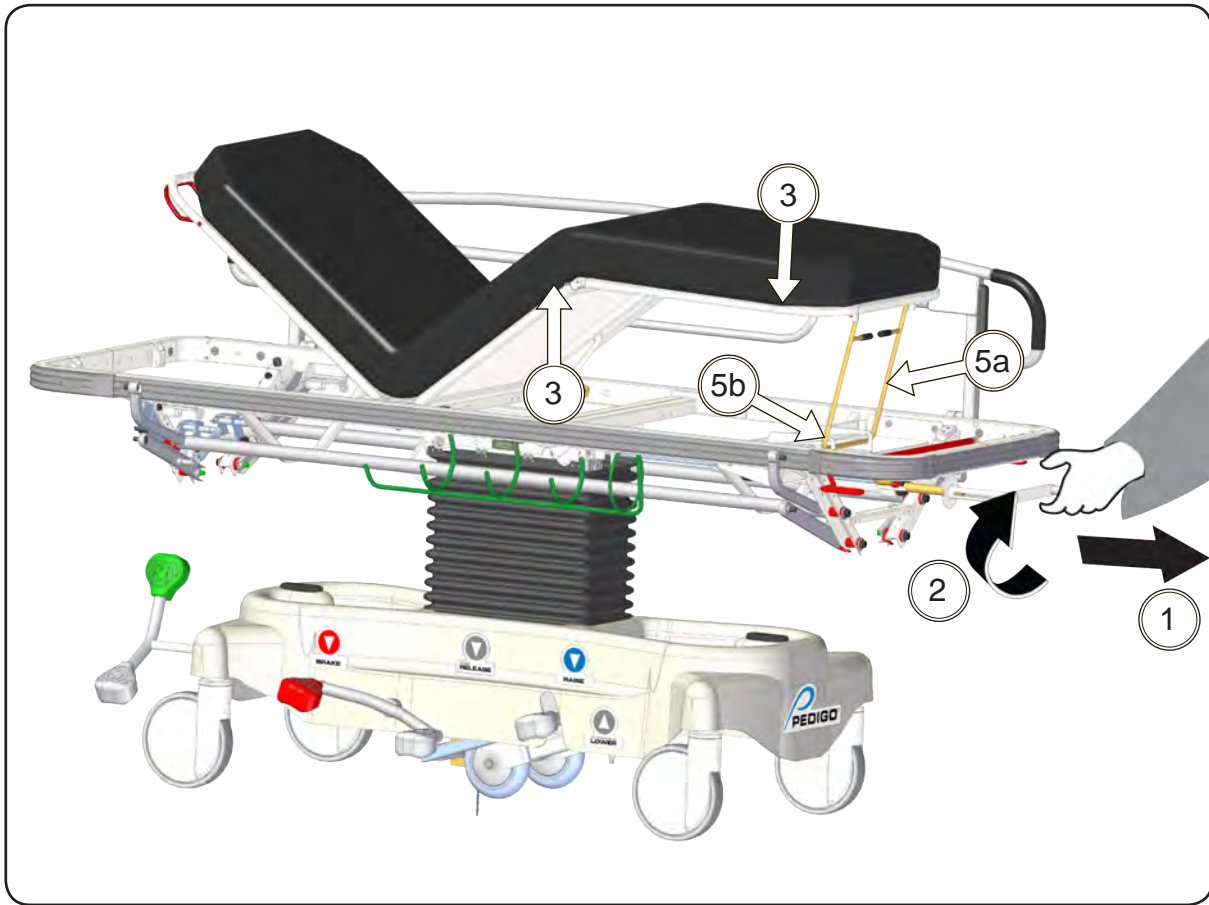
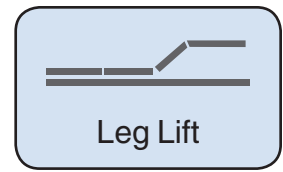
To place the litter top in the trauma position (from a flat bed), do the following:

1. Pull out the crank lever to extend it.
2. Rotate the foot crank clockwise approximately nine turns, partially elevating the thigh section.
3. Lift up on the foot section.
4. Slide the bail (4a) into the locking grooves (4b). The thigh section and the foot section should be angled approximately as shown in the illustration.
5. When you've completed positioning the patient, push the foot crank back into the stowed position to prevent it from being damaged.

To return the litter top to the flat position, do the following:

1. Slide the bail out of the locking grooves.
2. Pull out the crank lever to extend it.
3. Rotate the foot crank counter-clockwise until it cannot be rotated.
4. Push the foot crank back into the stowed position.

Leg Lift Position Using Hand Crank (Option)



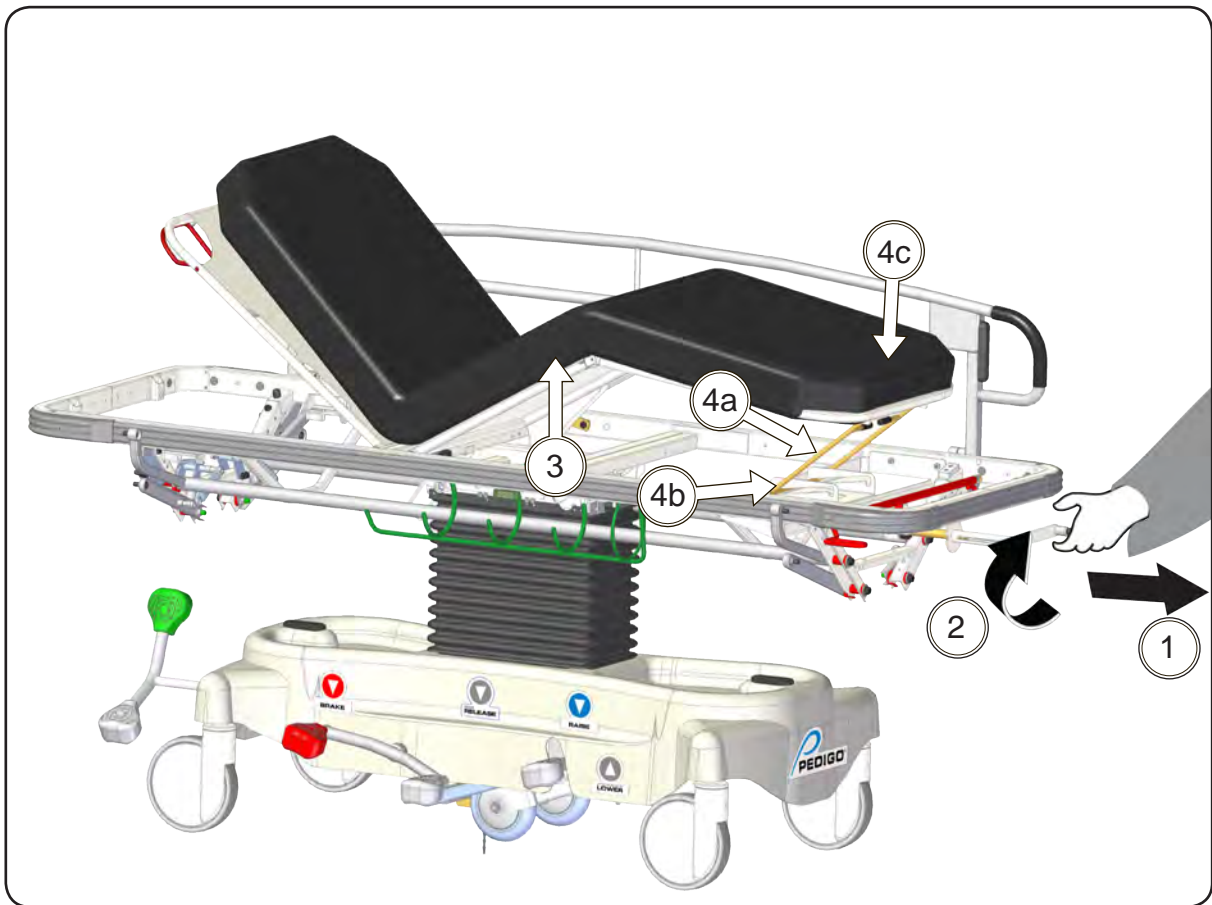
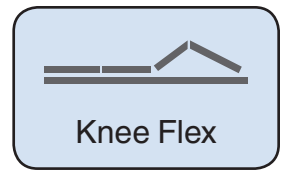
To place the litter top in the leg lift position (from a flat bed), do the following:

1. Pull out the crank lever to extend it.
2. Rotate the foot crank clockwise until the crank stops.
3. The thigh section should be fully elevated.
4. Lift up on the foot section.
5. Slide the bail (5a) into the locking grooves (5b). The thigh section (3) and the foot section (4) should be positioned as shown in the illustration.
6. When you've completed positioning the patient, push the foot crank back into the stowed position to prevent it from being damaged.

To return the litter top to the flat position, do the following:

1. Slide the bail out of the locking grooves.
2. Pull out the crank lever to extend it.
3. Rotate the foot crank counter-clockwise until it cannot be rotated.
4. Push the foot crank back into the stowed position.

Knee Flex Position Using Hand Crank (Option)



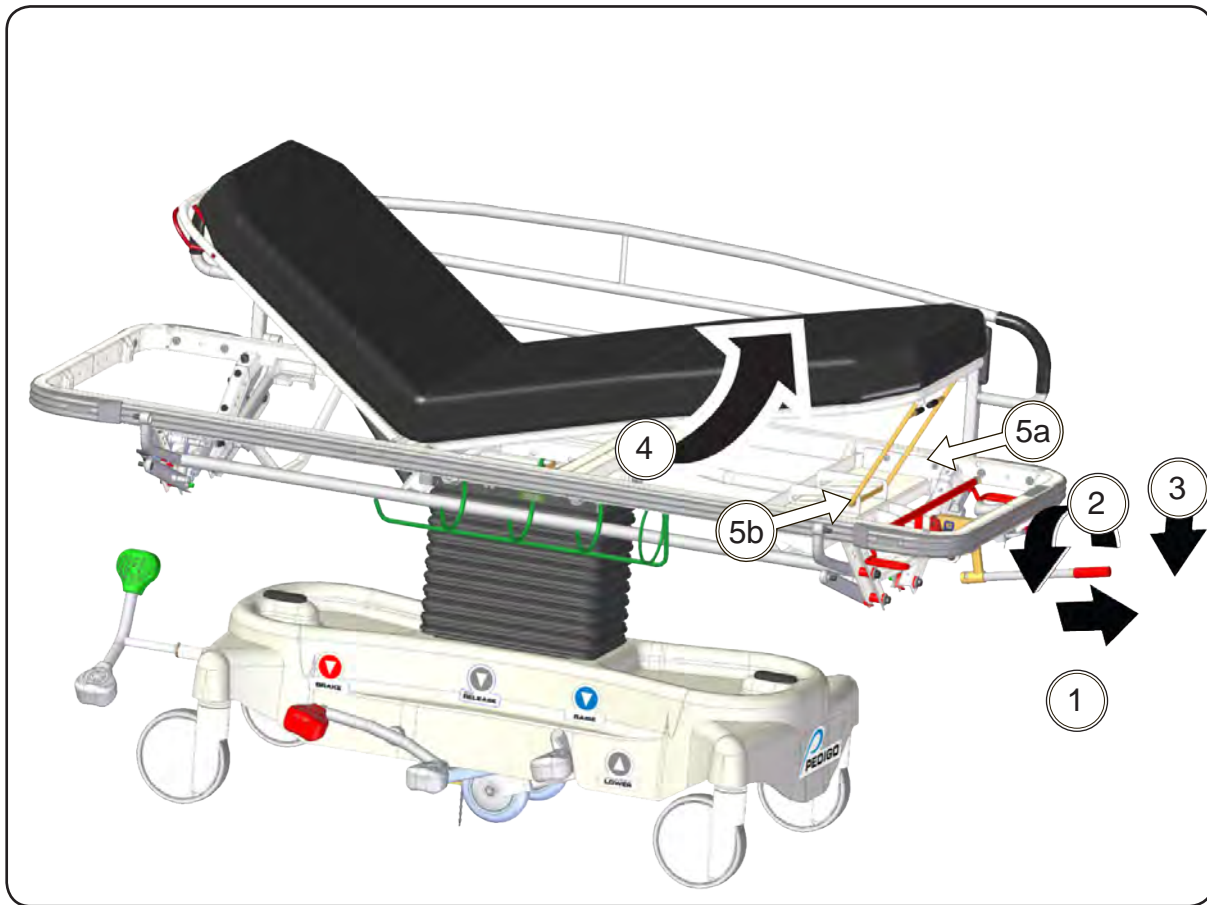
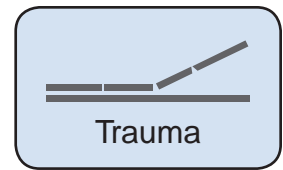
To place the litter top in the Knee Flex position (from a flat bed), do the following:

1. Pull out the crank lever to extend it.
2. Rotate the foot crank clockwise until the crank stops.
3. The thigh section should be fully elevated.
4. Then make sure the bail (4a) is in the freed position (4b). The thigh section (3) and the foot section (4c) should be positioned as shown in the illustration.
5. When you've completed positioning the patient, push the foot crank back into the stowed position to prevent it from being damaged.

To return the litter top to the flat position, do the following:

1. Pull out the crank lever to extend it.
2. Rotate the foot crank counter-clockwise until it cannot be rotated.
3. Push the foot crank back into the stowed position.

Trauma Position Using Hydraulic (Option)

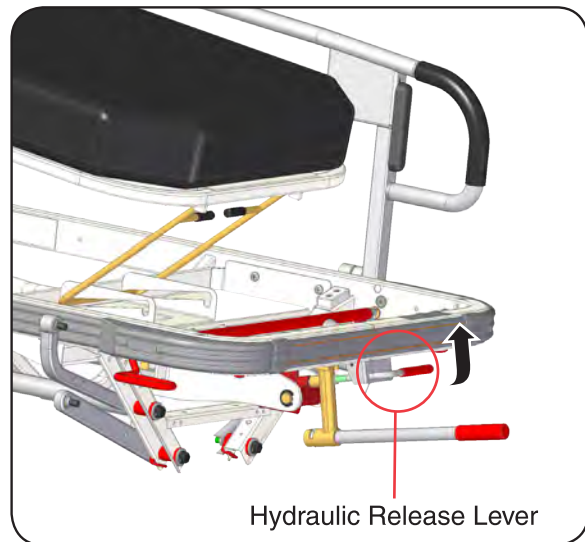


To place the litter top in the trauma position (from a flat bed), do the following:

1. Pull out the pump handle to extend it.
2. Rotate the pump handle counter-clockwise to lock it in place.
3. Pump the handle down to raise the Knee Flex.
4. Lift up on the foot section.
5. Slide the bail (5a) into the locking grooves (5b). The thigh section and the foot section should be angled approximately as shown in the top illustration.
6. When you've completed positioning the patient, rotate the pump handle clockwise and push the pump handle back into the stowed position to prevent it from being damaged.

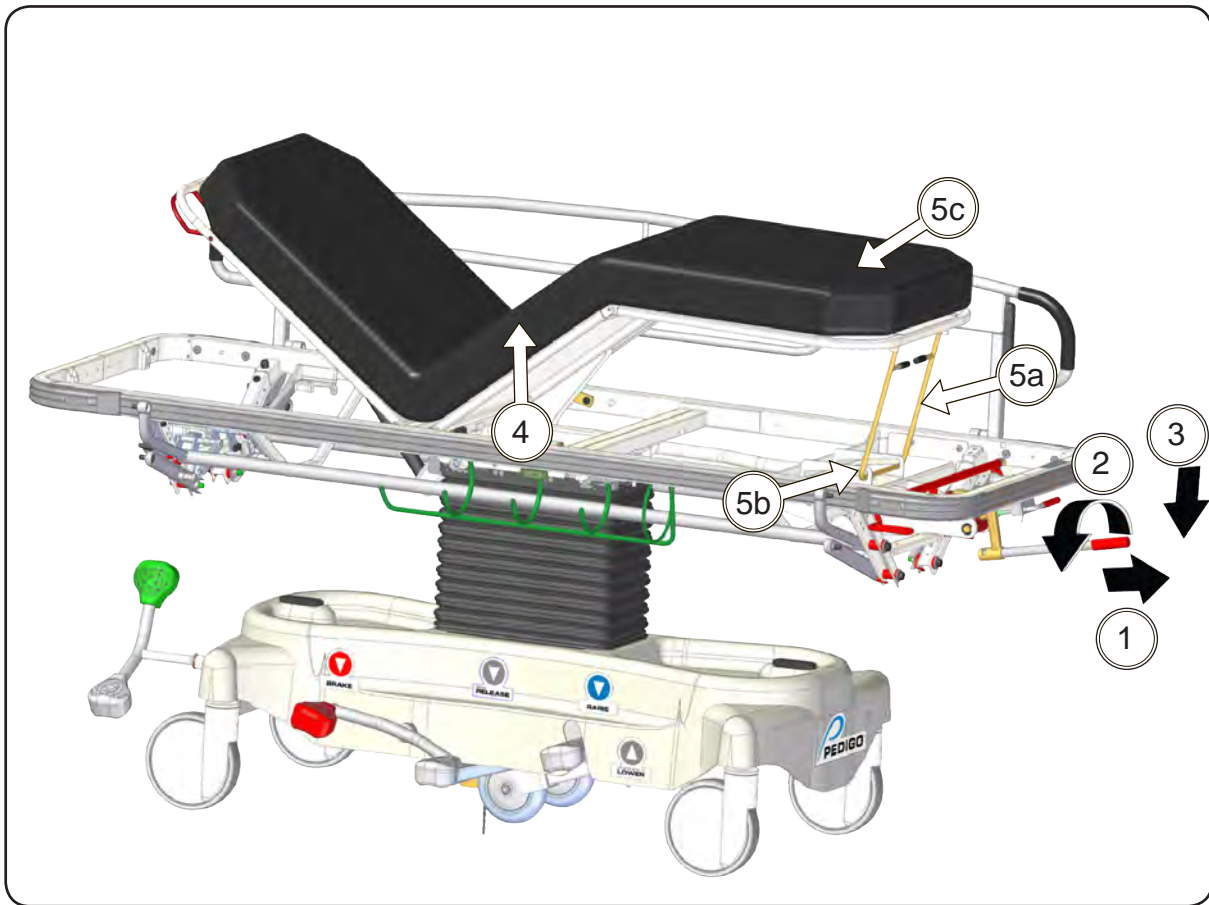
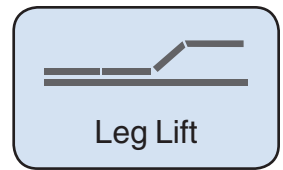
To return the litter top to the flat position, do the following:

1. Move the bail out of the locking grooves.
2. Slowly squeeze the Hydraulic Release Lever until the top is flat. Feather the release lever to control the rate of descent.



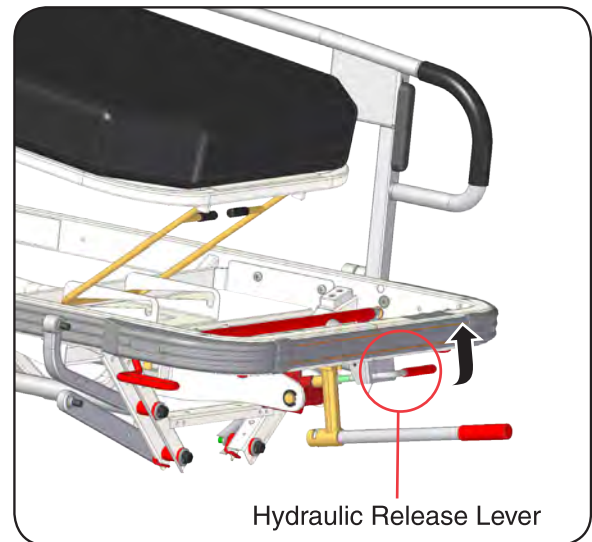
When lowering patient's legs using the Hydraulic Release Lever, gently squeeze the lever to control the rate of descent. Failure to do so may result in injury to the patient.

Leg Lift Position Using Hydraulic (Option)



To place the litter top in the leg lift position (from a flat bed), do the following:

1. Pull out the pump handle to extend it.
2. Rotate the pump handle counter-clockwise to lock it in place.
3. Pump the handle down to raise the Knee Flex.
4. Pump until the thigh section is fully elevated.
5. Slide the bail (5a) into the locking grooves (5b). The thigh section (4) and the foot section (5c) should be positioned as shown in the illustration.
6. When you've completed positioning the patient, rotate the pump handle clockwise and push the pump handle back into the stowed position to prevent it from being damaged.



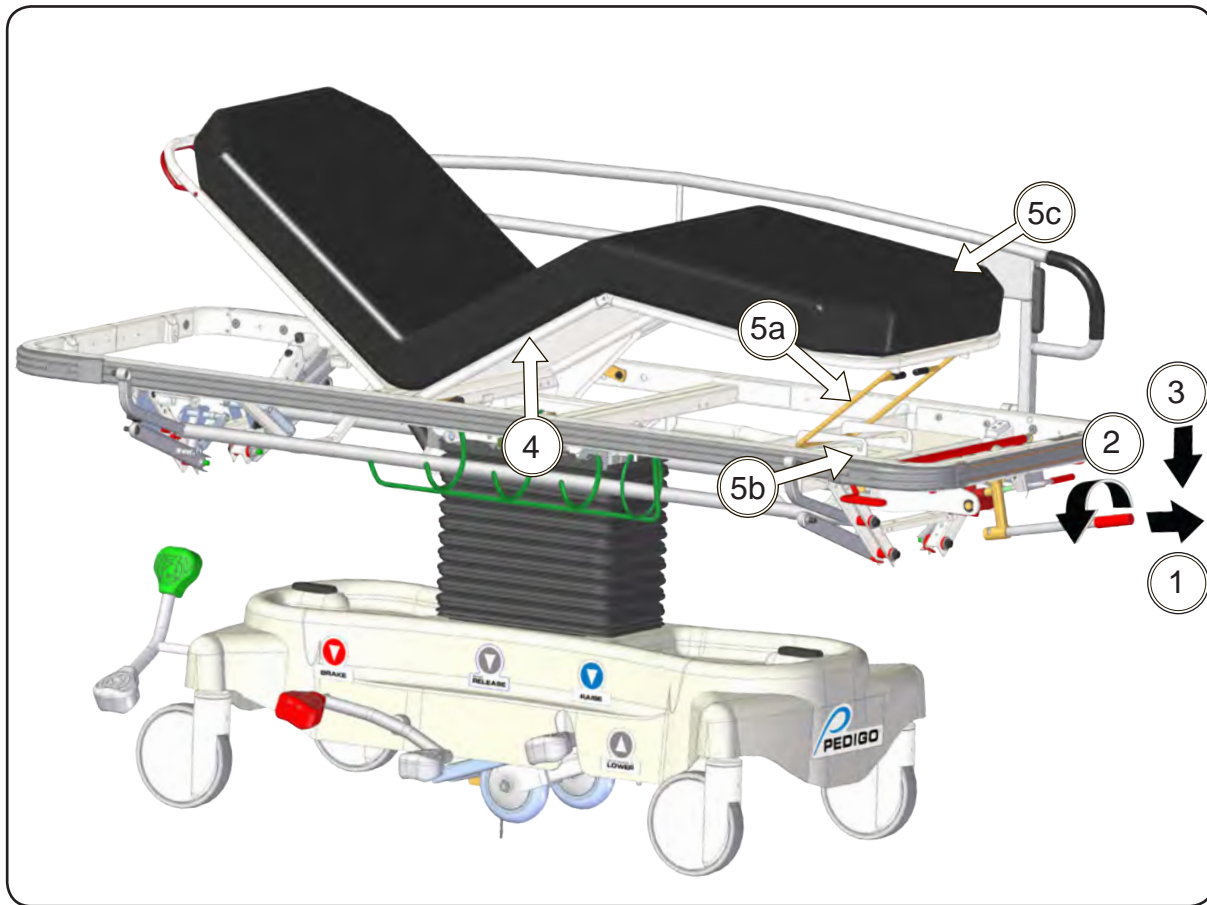
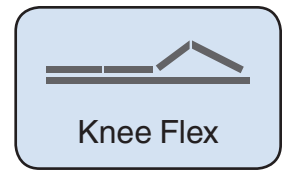
To return the litter top to the flat position, do the following:

1. Move the bail out of the locking grooves.
2. Slowly squeeze the Hydraulic Release Lever until the top is flat. Feather the release lever to control the rate of descent.



When lowering patient's legs using the Hydraulic Release Lever, gently squeeze the lever to control the rate of descent. Failure to do so may result in injury to the patient.

Knee Flex Position Using Hydraulic (Option)

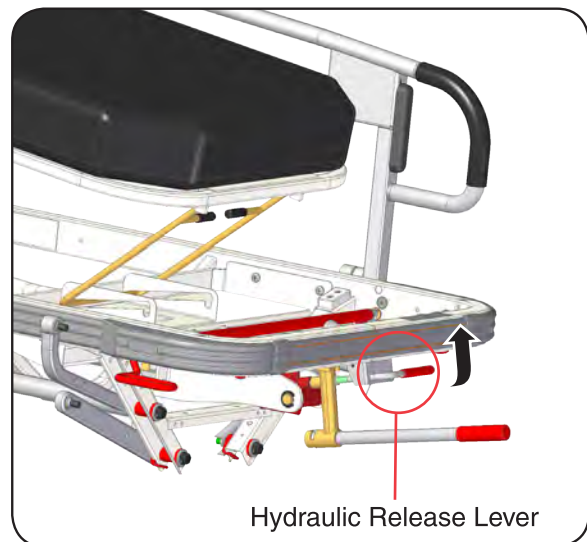


To place the litter top in the leg lift position (from a flat bed), do the following:

1. Pull out the pump handle to extend it.
2. Rotate the pump handle counter-clockwise to lock it in place.
3. Pump the handle down to raise the Knee Flex.
4. Pump until the thigh section is fully elevated.
5. Then make sure the bail (5a) is in the freed position (5b). The thigh section (4) and the foot section (5c) should be positioned as shown in the illustration.
6. When you've completed positioning the patient, rotate the pump handle clockwise and push the pump handle back into the stowed position to prevent it from being damaged.

To return the litter top to the flat position, do the following:

1. Move the bail out of the locking grooves.
2. Slowly squeeze the Hydraulic Release Lever until the top is flat. Feather the release lever to control the rate of descent



When lowering patient's legs using the Hydraulic Release Lever, gently squeeze the lever to control the rate of descent. Failure to do so may result in injury to the patient.

Locating Sockets for I.V. Poles / Accessory Pockets



There are four sockets for mounting I.V. poles on each stretcher; two sockets (1) are located on each end of the stretcher.

There are four accessory pockets for mounting accessories on each stretcher; two accessory pockets (2) are located on each end of the stretcher.

Operator Maintenance

Preventive Maintenance

Little routine maintenance is required other than periodic inspection of the mechanical functions to ensure satisfactory operation, and periodic check of fasteners to ensure they are present and tightened securely.

Oil moving parts with a light machine oil to assure quiet, smooth, and dependable operation.

Have your authorized dealer inspect your stretcher every six months.

Cleaning

Mattress Cover

Regular care should be maintained by daily wiping with a damp cloth or sponge, and periodic cleaning with a mild soap and water solution.

NOTICE

The mattress cover material is resistant to most medicinal-type stains, but may be damaged by solvents and dyes. Remove any fluids which are spilled on the upholstery immediately. Also, avoid the use of abrasive cleaners, steel wool, chlorinated bleaches, or solvents. Do not use high pressure water jets, submerge, or sterilize.

Check the label on the mattress to determine the fabric type before using any cleaning solution.

Acceptable Cleaning Fluids

Fabric Type	Cleaning Solution Trade Name	Cleaning Solution Trade Name	Cleaning Solution Manufacturer
For Vinyl Covered Mattresses:	Galahad	Phenolic	Puritan
	LPH	Phenolic	Steris Corp
	Amphyl	Phenolic	Reckitt-Benckiser
	One-Stroke	Phenolic	Steris Corp
	Vesphene II	Phenolic	Steris Corp
For Urethane Covered Mattresses:	A33	Quaternary	Ecolab
	Blue Chip	Quaternary	S.C. Johnson Co.
	Elimstaph	Quaternary	Walter G. Legge
	Forward DC	Quaternary	S.C. Johnson Co.
	Lysol I. C. Quaternary	Quaternary	Reckitt-Benckiser
	Omega	Quaternary	Ecolab
	Pro-Tech RDI-36B	Quaternary	Central Solutions, Inc.
	Quat Sanitizer	Quaternary	Ecolab
	Sanikleen	Quaternary	West Penetone
	Virex 128	Quaternary	S.C. Johnson Co.
	Super SaniCloth	Quaternary/Isopropyl	Professional Disposables Inc.
	SaniCloth Plus	Quaternary/Isopropyl	Professional Disposables Inc.
For Either Type of Mattress	iro-Chek	Hypochlorite	Bob Barker Co.
	Alcide LD	Chlorine Oxide	Alcide Corporation

Disinfectants: Phenolic disinfectants are the best choice for vinyl products, though properly diluted quaternaries are also acceptable. Quaternary disinfectants are recommended for urethane products. Phenolics should be avoided on urethane. Quaternary/Isopropyl disinfectants are recommended for urethanes, but not recommended for vinyls. All mattresses may be cleaned with a 1:10 dilution of household bleaches containing 5.25% sodium hypochlorite as recommended by the Center for Disease Control in Atlanta, Georgia. There is no harmful effect on the fabric. Disinfectants applied at full concentration or in highly concentrated solutions will decrease the useful life of mattresses. Iodophor type disinfectants used on mattresses may result in staining.

Soils or Stains: Use neutral soap suds and lukewarm water. Do not use harsh cleansers, solvents or detergents.

Hard-To -Clean Spots: Use standard household/vinyl cleansers and a soft bristle brush on troublesome spots or stains. Pre-soak heavy, dried-on soil.

Painted Metal Surfaces

Wipe all painted metal surfaces with a clean cloth at least once a week.

Unpainted Metal Surfaces

Operator Maintenance

Wipe all unpainted metal surfaces with a clean cloth. Use petroleum jelly or other white lubricants on moving parts. Lubrication will allow free movement of sliding parts and reduce noise.

Calling for Service

If you are having a problem or have a question, refer to the inside front cover of this manual and call Technical Support at the number below. Make sure that you have the information that is highlighted on the inside front cover of this manual available.

Technical Support

800.822.3501

8:00 a.m. – 5:00 p.m. (Pacific Standard Time in the U.S.)

Monday – Friday, except for standard U.S. holidays.

Specifications

Model Number	7500^N	7500^W
Weight Capacity	750 lbs. (340 kg)	750 lbs. (340 kg)
Overall Length	83" (211 cm)	83" (211 cm)
Overall Width	29.5" (75 cm)	33.5" (85 cm)
Height Range		
Low	23" (58 cm)	23" (58 cm)
High	32.75" (83 cm)	32.75" (83 cm)
Litter Positioning		
Fowler Backrest	0°-90°	0°-90°
Trendelenburg	+12°	+12°
Reverse Trendelenburg	-7°	-7°
Patient Surface	77" x 27" (196 x 69 cm)	77" x 31" (196 x 77 cm)
Side Rails	14" x 76" (36 x 193 cm)	14" x 76" (36 x 193 cm)
Casters	8" (20 cm)	8" (20 cm)

Limited Warranty

Scope of Warranty

Pedigo Products, Inc. warrants to the original purchaser its new hospital stretchers and components (except for components not warranted under “Exclusions”) manufactured by Pedigo to be free from defects in material and workmanship under normal use and service. Pedigo’s obligation under this warranty is limited to the repair or replacement, at Pedigo’s option, of the parts or the products the defects of which are reported to Pedigo within the applicable warranty period and which, upon examination by Pedigo, prove to be defective.

Applicable Warranty Period

The applicable warranty period, measured from the date of delivery to the original user, shall be one (1) year parts and labor for all warranted products and components.

Note: The 7500-SPEC (7500 Series Stretcher Special Package), has a 2 year parts and labor warranty.

Exclusions

This warranty does not cover and Pedigo shall not be liable for the following: (1) repairs and replacements because of misuse, abuse, negligence, alteration, accident, freight damage, or tampering; (2) products which are not installed, used, and properly cleaned as required in the Pedigo “Installation” and or “Installation / Operation Manual” for this applicable product; (3) products considered to be of a consumable nature; (4) accessories or parts not manufactured by Pedigo; (5) charges by anyone for adjustments, repairs, replacement parts, installation, or other work performed upon or in connection with such products which is not expressly authorized in writing in advance by Pedigo.

Exclusive Remedy

Pedigo’s only obligation under this warranty is the repair or replacement of defective parts. Pedigo shall not be liable for any direct, special, indirect, incidental, exemplary, or consequential damages or delay, including, but not limited to, damages for loss of profits or loss of use.

No Authorization

No person or firm is authorized to create for Pedigo any other obligation or liability in connection with the products.

THIS WARRANTY IS PEDIGO’S ONLY WARRANTY AND IS IN LIEU OF ALL OTHER WARRANTIES, EXPRESS OR IMPLIED. PEDIGO MAKES NO IMPLIED WARRANTIES OF ANY KIND INCLUDING ANY WARRANTIES OF MERCHANTABILITY OR FITNESS FOR ANY PARTICULAR PURPOSE. THIS WARRANTY IS LIMITED TO THE REPAIR OR REPLACEMENT OF DEFECTIVE PARTS.

7500^N / 7500^W



4000 SE Columbia Way Vancouver, Washington 98661 USA
www.pedigo-usa.com • TEL 800.822.3501 • FAX 360.696.1700