

# 230

Universal Procedures Chair

Ritter®  
by MIDMARK

[English](#)

[Español](#)

[Français](#)



## User's Guide

# Product Information

(The information below is required when calling for service)

**Dealer** [name / phone]:

**Date of Purchase:**

**Model / Serial Number:**

**Midmark Authorized Service Company** [name / phone]:

**Model / Serial Number  
Location**



MA804200P

# Table of Contents

## **Important Information**

<i>Safety Symbols</i> .....	4
<i>Intended Use</i> .....	5
<i>Electrical Requirements</i> .....	5
<i>Electromagnetic Interference</i> .....	5
<i>Disposal of Equipment</i> .....	5
<i>Transportation / Storage Conditions</i> .....	5
<i>Safety Instructions</i> .....	6
<i>Hand / Foot Control Connection</i> .....	6

## **Operation**

<i>Power To The Chair</i> .....	7
<i>Base Up / Down</i> .....	8
<i>Back Up / Down</i> .....	9
<i>Foot Up / Down</i> .....	10
<i>Tilt Up / Down</i> .....	11
<i>Paper Roll</i> .....	12
<i>Stirrups</i> .....	13
<i>Treatment Pan</i> .....	14
<i>Duplex Receptacle (optional - not available on 230 volt models)</i> .....	15
<i>Headrest Positioning</i> .....	16
<i>Knee / Chest Position</i> .....	17
<i>Rotational Base (optional)</i> .....	18

## **Maintenance**

<i>Cleaning</i> .....	19
<i>Preventative Maintenance</i> .....	19
<i>Calling for Service</i> .....	19

## **Troubleshooting**

<i>No Foot Up Function</i> .....	20
----------------------------------	----

## **Specifications**

<i>Weights, Dimensions, Electrical Specifications</i> .....	21
<i>Model Identification / Compliance Chart</i> .....	22
<i>Range of Motion &amp; Dimensions</i> .....	23

## **Warranty Information**

<i>Limited Warranty</i> .....	25
-------------------------------	----

# Important Information - Safety Symbols



## WARNING

Indicates a potentially hazardous situation which could result in serious injury.



## Caution

Indicates a potentially hazardous situation which could result in injury if not avoided.



## Equipment Alert

Indicates a potentially hazardous situation which could result in equipment damage if not avoided.

## Note

Amplifies a procedure, practice, or condition.



Refer to manual



Proper Shipping Orientation



Fragile



Type B, Applied Part



Protective earth ground



Keep dry



Catalogue Number



Serial Number



Manufacturer



Maximum stacking height  
(palletted units)



Fuse rating specification



Protected against dripping water



Duty Cycle (motor run time):  
30 seconds ON, 5 minutes OFF



Pan must be fully retracted to  
enable Foot Up function.



Patient weight limit



**This product has been evaluated with respect to electrical shock, fire & mechanical hazards only, in accordance with UL60601-1 and CAN/CSA C22.2 NO. 601.1.**

## **Intended Use**

This product is intended to be used as a chair / table to provide positioning and support of patients during general examinations and procedures conducted by qualified medical professionals.

## **Electrical Requirements**



### **Caution**

*When using high frequency surgical devices or endocardial catheters:*

- *Use non-conductive material to insulate patient from metal portions of the chair.*
- *Consult operating instructions for the device before using in conjunction with drawer or upholstery heater.*

*Failure to comply may result in electric shock or burns to patient.*

## **Electromagnetic Interference**

This Midmark chair is designed and built to minimize electromagnetic interference with other devices. However, if interference is noticed between another device and this chair:

- Remove interfering device from room
- Plug chair into an isolated circuit
- Increase separation between chair and interfering device
- Contact Midmark if interference persists

## **Disposal of Equipment**

At the end of product life, the chair, accessories, and other consumable goods may become contaminated from normal use. Consult local codes and ordinances for proper disposal of equipment, accessories and other consumable goods.

## **Transportation / Storage Conditions**

Ambient Temperature Range..... +41°F to 100°F (+5°C to +38°C)  
Relative Humidity..... 10% to 90% (non-condensing)  
Atmospheric Pressure ..... 500hPa to 1060hPa (0.49atm to 1.05atm)

# Safety Instructions



## Caution

Be sure that all personnel and equipment are clear of the chair before activating any function. Failure to do so could result in personal injury.

## Hand / Foot Control Connection

There are two hand / foot control cord inlets. One is located on the base column at the foot end of the chair, and one is located on the PC board cover at the head end. These cord inlets are interchangeable.



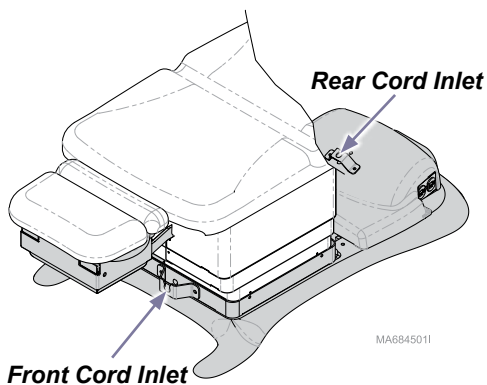
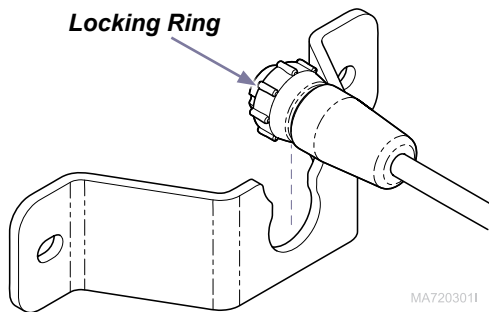
## Equipment Alert

Never plug hand / foot control into any other outlets. Doing so may result in damage to the equipment.

### To connect hand / foot control cord...

- A) Slide narrow portion of cord connector into bracket.
- B) Connect cord to inlet (see Note).
- C) Tighten locking ring.

Note: The cord connector is "keyed" and must be oriented properly to connect.



# Operation

## Power To The Chair

### **If the chair has no power...**

All functions will be inoperable.

### **Before calling for service...**

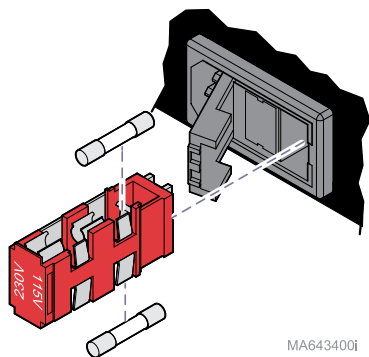
- A) Check power cord connections.
- B) Check / reset facility circuit breaker.
- C) Check / replace chair fuse(s).



### **If Power Indicator Light is...**

**ON:** Chair has power.

**OFF:** No power to chair.



### **Before replacing fuses...**

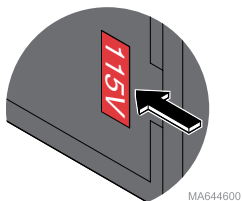
Disconnect power cord from chair.

### **To replace fuses...**

[Refer to Specifications section for correct fuse size & ratings]

- A) Open the fuse holder cover.
- B) Remove fuse holder & faulty fuse(s).
- C) Install new fuse(s), then replace fuse holder.

**Attention:** Voltage setting that shows thru window of fuse holder cover must match facility supply voltage.

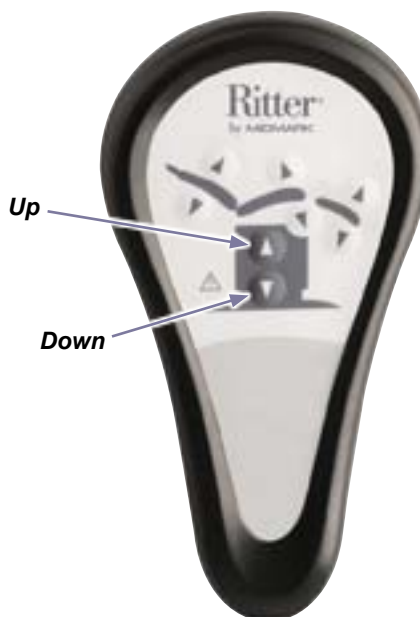


### **Equipment Alert**

Incorrect voltage setting will result in damage to the chair.

## Base Up / Down

**To move the Base UP or DOWN...**  
Press and hold the appropriate button.



**Movement stops when...**  
Up / Down button is released.  
Maximum / minimum position is reached.



**Max.**  
Standard base: 40 in. (101.6 cm)  
Rotational base: 43.5 in. (110.5 cm)



**Min.**  
Standard base: 22.5 in. (57 cm)  
Rotational base: 26 in. (66 cm)



## Back Up / Down

**To move the Back section UP or DOWN...**  
Press and hold the appropriate button.



**Max.**  
 $85^{\circ} \pm 3^{\circ}$



**Movement stops when...**  
Maximum / minimum position is reached.  
Up / Down button is released.

## Foot Up / Down

### Attention!

**The Foot Up function is disabled when the treatment pan is pulled out.**  
(You will hear several “beeps” when Foot Up is activated with the pan pulled out.)

To resume Foot Up operation:  
Push the pan all the way in.  
Press Foot Up button.

**To move the Foot section UP or DOWN...**  
Press and hold the appropriate button.



**Movement stops when...**  
Maximum / minimum position is reached.  
Up / Down button is released.

**Max.**  
 $0^{\circ} \pm 0.5^{\circ}$

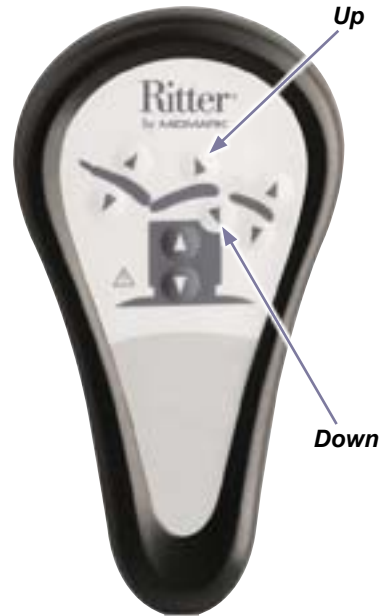


**Min.**  
 $90^{\circ} \pm 1^{\circ}$

## Tilt Up / Down

**To Tilt the seat section UP or DOWN...**  
Press and hold the appropriate button.

**Movement stops when...**  
Maximum / minimum position is reached.  
Up / Down button is released.



**Max.**  
 $30^{\circ} \pm 2^{\circ}$



A curved double-headed arrow indicating the range of motion between the maximum and minimum positions.

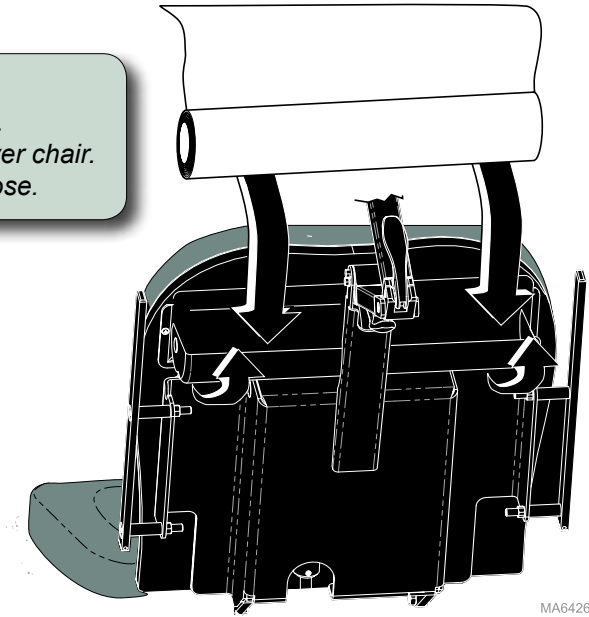
**Min.**  
 $0^{\circ} \pm 0.5^{\circ}$

## **Paper Roll**

Paper Roll Size (max.)..... 18 in. long x 3.5 in. diameter  
(45.7 cm x 8.9 cm)

### **To install the paper roll...**

- A) Pivot paper roll cover back to open.
- B) Install paper roll, then pull paper over chair.
- C) Pivot paper roll cover forward to close.



MA642601I

# Stirrups



## **Caution**

*Never use stirrups to lift chair.*

*Be sure the stirrups are locked in place before using.*

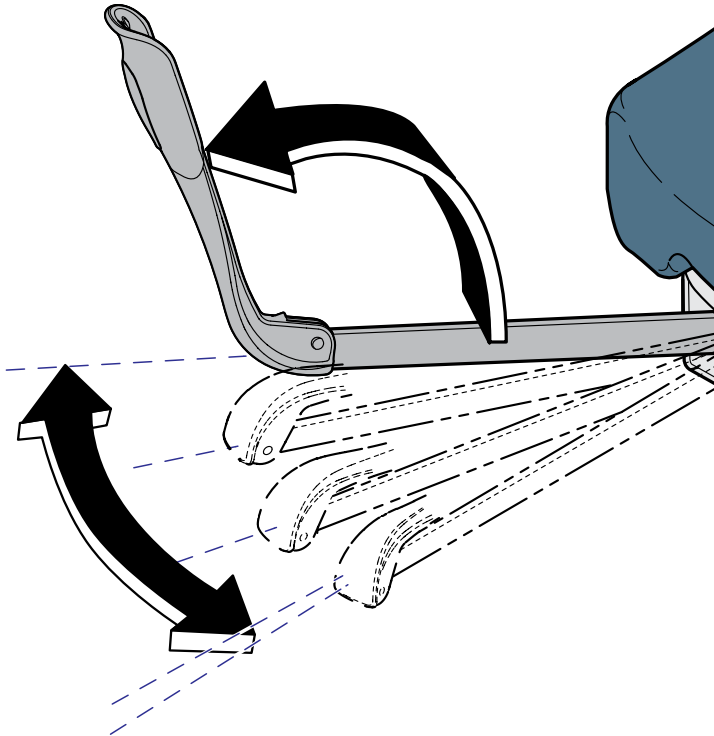
*The stirrups will not support the patient's entire weight / excessive force.*

## **To position the stirrups...**

A) *Pull the stirrup out, then unfold.*

B) *Lift the stirrup slightly, then move it left or right as desired.*

C) *Release stirrup to lock in position.*



MA602500i

## **Treatment Pan**

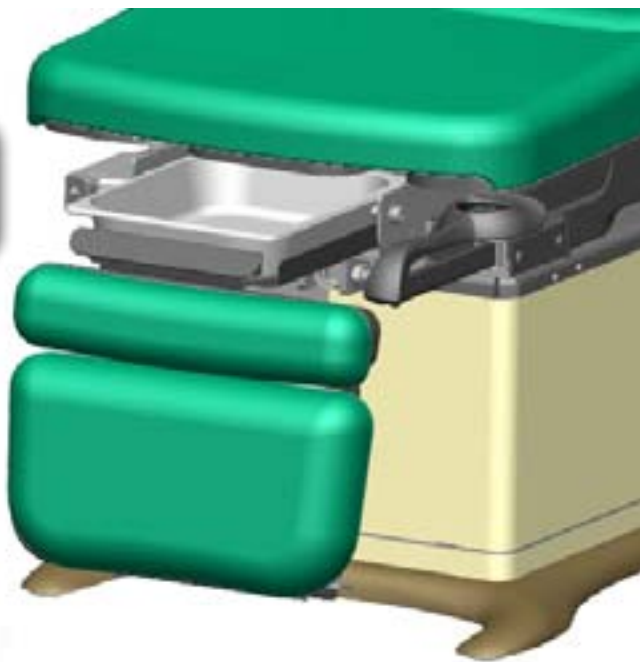
### **Attention!**

**The Foot Up function is disabled when the treatment pan is pulled out.**  
(You will hear several “beeps” if Foot Up is activated with the pan pulled out.)

To resume Foot Up operation:  
Push the pan all the way in.  
Press Foot Up button.

### **To access the treatment pan...**

- A) Lower the foot section.
- B) Pull the treatment pan slide out.



**Duplex Receptacle (optional - not available on 230 volt models)**

The duplex receptacle provides power for accessories used during medical procedures. Power to the receptacle will be interrupted if the maximum load is exceeded.

**Maximum Load** [both receptacles combined] ..... 115 VAC, 3 amps, 50/60 Hz



**Equipment Alert**

Exceeding the maximum load for the receptacle may result in blown fuses. If this occurs, all chair functions will be disabled until fuses are replaced. [Fuse replacement procedure is shown on the **Power To The Chair** page.]



## Headrest Positioning



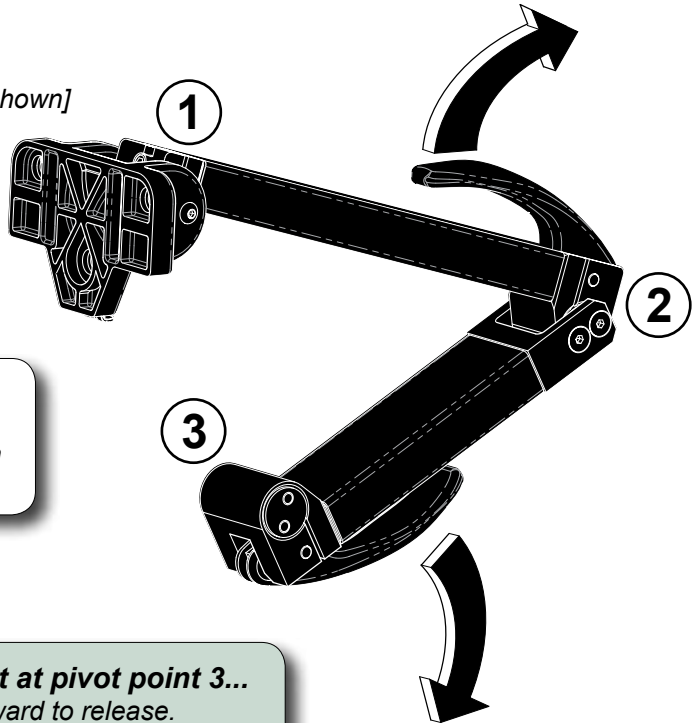
### Caution

Be sure headrest is locked securely in position before use.

### To adjust the headrest at pivot points 1 and/or 2...

- A) Pull upper handle outward to release.
- B) Move pivot point(s) to desired position.
- C) Push upper handle inward to lock in place.

[For clarity, the upholstery is not shown]



### Note

The handle tension is adjustable.  
Contact your service provider if an adjustment is required.

### To adjust the headrest at pivot point 3...

- A) Pull lower handle outward to release.
- B) Move pivot point to desired position.
- C) Push lower handle inward to lock in place.

MA642200i



## Knee / Chest Position



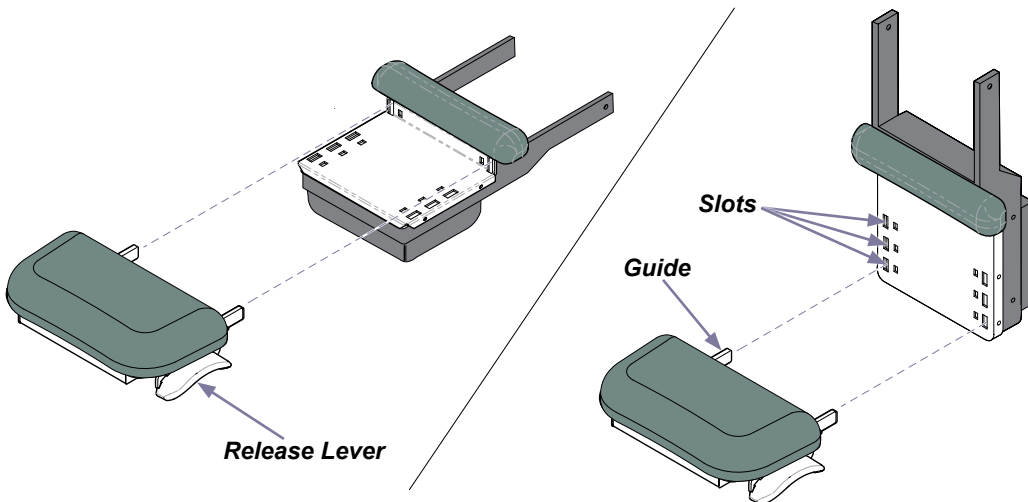
### Caution

Be sure foot section is locked securely in position before use.



### To remove the foot section...

- A) Lift release levers on either side of foot section.
- B) Pull foot section straight out.



MA6847001

### To install foot section in Knee / Chest Position...

- A) Lower the foot section.
- B) Insert foot section guides into desired slots.
- C) Be sure foot section is securely engaged before using.

## **Rotational Base (optional)**

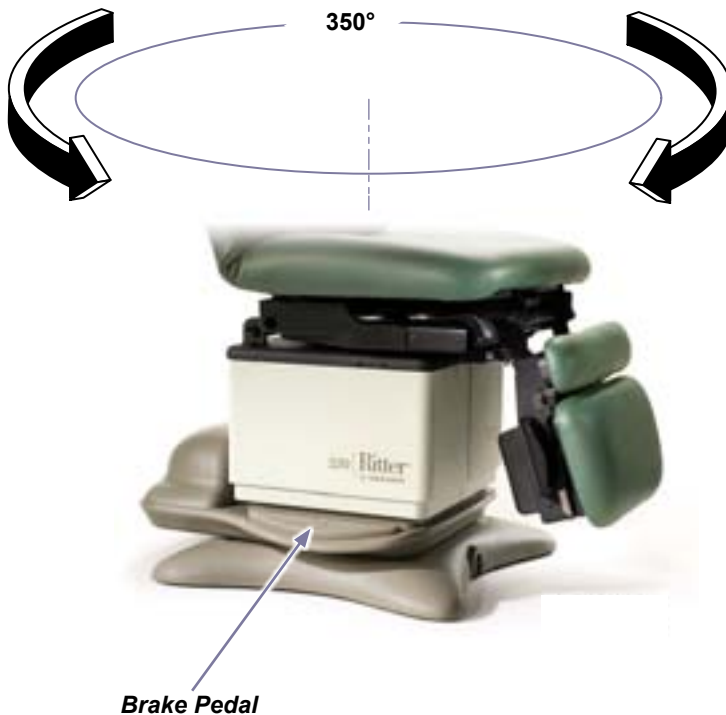
### **To rotate the chair base...**

- A) *Press and release the brake pedal.*
- B) *Rotate the chair to desired position.*

### **To lock in position...**

- A) *Press and release the brake pedal.*

*Note: The base will automatically lock in position after two minutes.*



# Maintenance

## Cleaning

### Upholstery



#### **Equipment Alert**

*The upholstery is resistant to most medicinal-type stains, but may be damaged by solvents and dyes. Immediately remove any fluids spilled on the upholstery.*

Wash your upholstery weekly with a mild liquid soap and water mixture, rinse with clear water and dry completely to remove disinfection cleaner build-up.

Disinfect your upholstery with a solution of standard bleach and water mixed 1 in 10 (10%) or chlorine based cleaners. Follow this with a clear water rinse and thorough drying of material. See current CDC Guideline for Disinfection & Sterilization in Healthcare Facilities.

To minimize damage caused by disinfectant cleaner residue build-up, do not allow disinfectants to pool on the upholstery surface. Once the approved contact time has been obtained, remove and dry excess liquid remaining on the surface.

Detailed care and maintenance instructions are included with your product. This information is also available on [www.midmark.com](http://www.midmark.com) in the Technical library under the User Information tab for your product.

### **Painted / Plastic Surface**

Clean the painted metal and plastic surfaces weekly using a clean soft cloth, and mild cleaner.

## Preventative Maintenance

Periodically inspect the following areas:

- Power cord should be free of cuts or other visible damage.
- All fasteners should be present and tightened securely.
- All mechanical functions should operate properly.

Have a qualified service technician inspect your equipment every twelve months.

## Calling for Service

**[Product serial number is required]**



Contact your Midmark dealer, or log onto [www.midmark.com](http://www.midmark.com) to locate your nearest service provider.

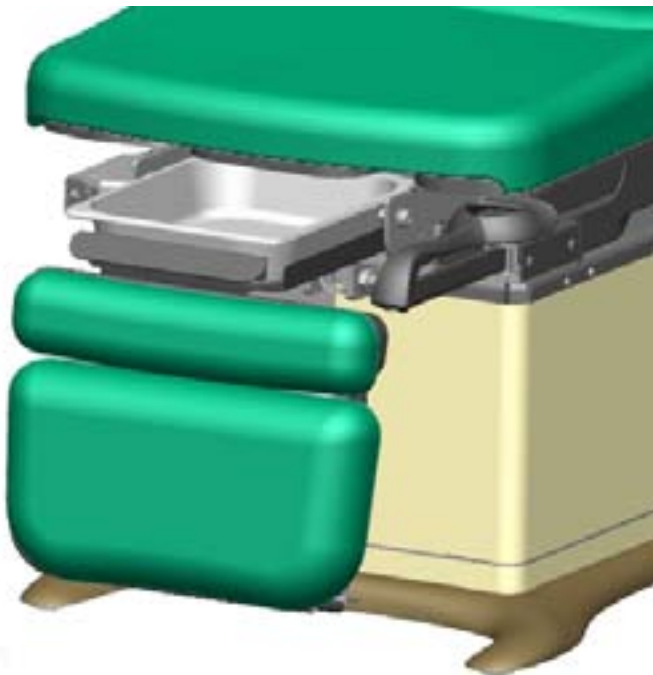
To contact Midmark directly:

1-800-Midmark (1-800-643-6275) or 937-526-3662  
8:00 am until 5:00 pm. Monday through Friday (EST) [excluding standard U.S. holidays]

# Troubleshooting

## No Foot Up Function

<i>Function</i>	<i>Status</i>	<i>Problem</i>	<i>Correction</i>
Foot Up		No movement (“beeps”)	Push treatment pan in.
All other functions		OK	-



# Specifications

## Weights, Dimensions, Electrical Specifications

<b>Patient Weight</b> ( <i>maximum</i> ):	450 lbs (204.1 kg)
<b>Paper Roll</b> ( <i>maximum size</i> ):	18 in. long x 3.5 in. diameter (45.7 x 8.9 cm)
<b>Range of Motion &amp; Dimensions:</b>	[See <i>Range of Motion &amp; Dimensions page</i> ]
<b>Weight of Chair:</b> <b>230 (w/standard base)</b> w/packaging & skid <b>230 (w/rotational base)</b> w/packaging & skid	455 lbs (206.4 kg) 510 lbs (231.3 kg) 540 lbs (244.9 kg) 600 lbs (271.1 kg)
<b>Power Cord:</b>	8 ft. (243.8 cm) long
<b>Electrical Requirements:</b>	[See <i>Compliance Charts</i> ]
<b>Foot Control Voltage:</b>	10 VAC, SELV (Safety Extra Low Voltage)
<b>Duplex Receptacle</b> (optional) maximum load:	115 VAC, 3A, 50/60 Hz
<b>Fuses:</b> <i>Located at power cord inlet:</i> <i>F1 &amp; F2</i>	6.3 A, 250V, Type T, 5 x 20 mm
<b>Duty Cycle</b> (motor run time):	Intermittent Operation [30 seconds ON / 5 minutes OFF]
<b>Classifications:</b>	Class 1, Type B Applied Part
<b>Protection against ingress of fluids:</b> <i>Foot Control only:</i>	Ordinary Equipment IPX1
<b>Regulatory Compliance:</b>	[See <i>Compliance Chart</i> ]



### **WARNING**

**Equipment not suitable for use in the presence of a flammable anesthetic mixture.**

# Model Identification / Compliance Chart

Model	Description	Serial Number Prefix	Complies To:				Electrical Ratings:		
			UL 60601-1	CAN/CSA 22.2, #601.1-M90	IEC 60601-1	EN 60601-1-2 (EMC)	VAC +/-10%	Amps	Cycles (Hz)
230-001	Ritter Universal Proc. Chair (Non-Programmable)	V	X	X	X	X	Configurable 115 230	7 3.5	50 / 60
230-002	Ritter Universal Proc. Chair (Non-Programmable) w/ Receptacle	V	X	X	X	X	115	10	50 / 60
230-003	Ritter Universal Proc. Chair (Non-Programmable) w/ Rotational Base	V	X	X	X	X	Configurable 115 230	7.5 3.8	50 / 60

## Range of Motion & Dimensions



**Max.**

Standard base: 40 in. (101.6 cm)

Rotational base: 43.5 in. (110.5 cm)



**Min.**

Standard base: 22.5 in. (57 cm)

Rotational base: 26 in. (66 cm)



**Max.**  
 $30^\circ \pm 2^\circ$



**Min.**  
 $0^\circ \pm 0.5^\circ$

**Max.**  
 $85^\circ \pm 3^\circ$



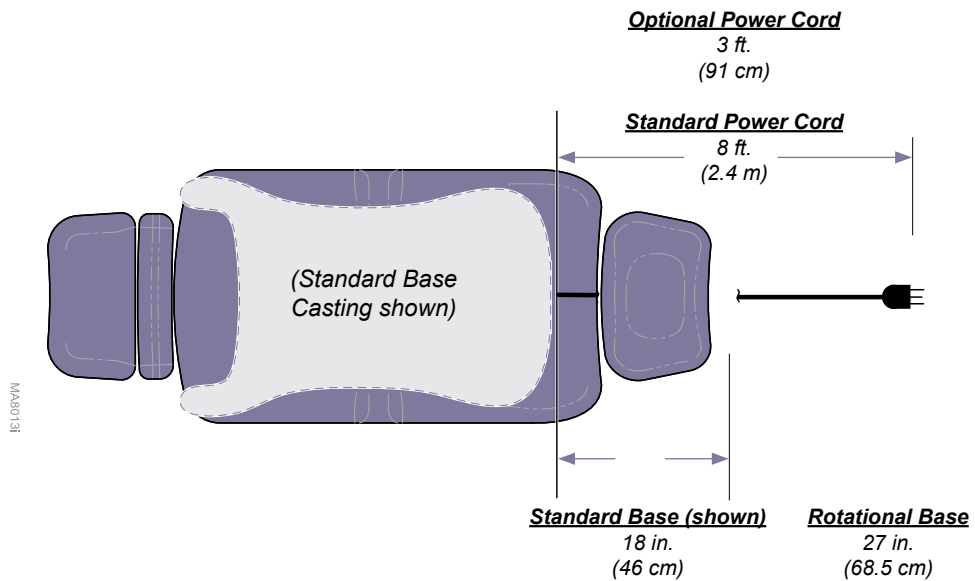
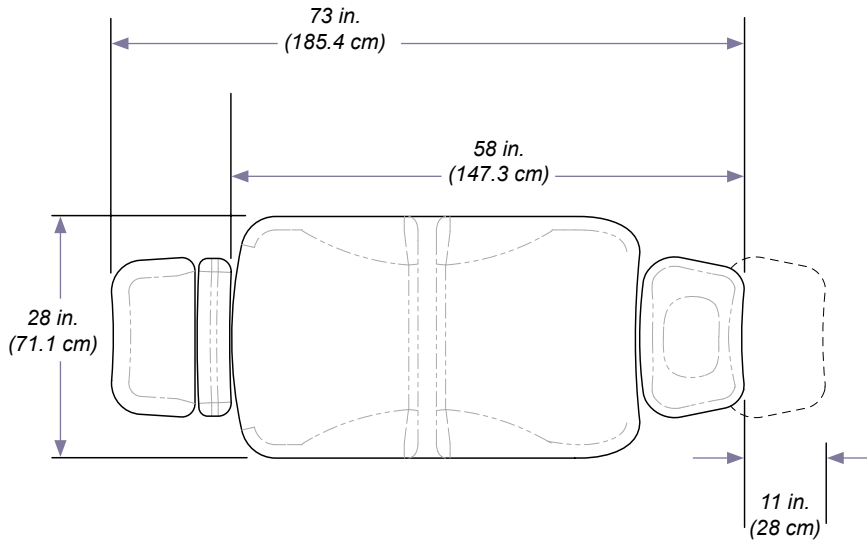
**Min.**  
 $0^\circ \pm 0.5^\circ$



**Max.**  
 $0^\circ \pm 0.5^\circ$

**Min.**  
 $90^\circ \pm 1^\circ$

## Range of Motion & Dimensions - (continued)





# Warranty Information

**SCOPE OF WARRANTY** Midmark Corporation ("Midmark") warrants to the original retail purchaser that it will, at Midmark's option, repair or replace components of the domestic and international medical products manufactured by Midmark (except for components not warranted under "Exclusions") that are defective in material or workmanship under normal use and service. The sole remedy under this limited warranty is the repair or replacement, at Midmark's option, of the applicable components. This limited warranty shall only apply to defects that are reported to Midmark within the applicable warranty period and which are determined to exist upon examination by Midmark. This warranty extends only to the original retail purchaser of a product and is not transferable or assignable. Replacement components or products may be used and/or refurbished components or products, provided they are of like quality and specifications as new components or products.

Midmark warrants to the original retail purchaser that during the applicable warranty period it will repair or replace software contained within the products manufactured by Midmark (except for those not warranted under "Exclusions") if: (1) the media on which the software is furnished exhibits defects in material or workmanship under normal use; or (2) the software does not substantially conform to its published specifications.

**APPLICABLE WARRANTY PERIOD** The applicable warranty period, measured from the date of invoice to the original retail purchaser of the product and shall be one (1) year for all warranted products and components.

**OBTAINING WARRANTY SERVICE** Warranty service must be obtained through either Midmark or an authorized dealer in the Midmark product line for which warranty service is requested. Midmark may be contacted for warranty service inquiries or issues via email at [www.midmark.com](http://www.midmark.com); by phone at 1-800-MIDMARK or by mail to Midmark Corporation, 60 Vista Drive, Versailles, Ohio 45380. It is the retail purchaser's obligation to arrange for delivery of a product to Midmark or one of its authorized dealers for warranty service, which delivery shall be at retail purchaser's expense. It is also the retail purchaser's obligation to comply with the warranty service instructions provided either by Midmark or its authorized dealer. The retail purchaser must provide Midmark with completed warranty registration information within thirty (30) days after purchase in order to obtain the benefits of this limited warranty.

**EXCLUSIONS:** This limited warranty does not cover and Midmark shall not be liable for the following:

- (1) Defects, damage or other conditions caused, in whole or in part, by misuse, abuse, negligence, alteration, accident, freight damage, negligent storage, tampering or failure to seek and obtain repair or replacement in a timely manner;
- (2) Products which are not installed, used, and properly cleaned and maintained as required or recommended in the Midmark "Installation" and/or "Installation/Operation Manual" for the applicable product, including the specified structural and operational environmental conditions and electrical requirements;
- (3) Products considered to be of a consumable or sterile nature;
- (4) Accessories or parts not manufactured by Midmark;
- (5) Charges by anyone for adjustments, repairs, replacement parts, installation or other work performed upon or in connection with such products which are not expressly authorized in writing in advance by Midmark;
- (6) Costs and expenses of routine maintenance and cleaning; and
- (7) Representations and warranties made by any person or entity other than Midmark.
- (8) Matching of color, grain or texture except to commercially acceptable standards;
- (9) Changes in color caused by natural or artificial light;
- (10) Custom manufactured products;
- (11) Alterations or modifications to the product by any person or entity other than Midmark; and
- (12) Products that would otherwise be covered under this limited warranty, but are acquired: (i) from a person or entity that is not Midmark or one of its authorized dealers; or (ii) from a Midmark dealer that is not authorized to sell the product at issue in the geographic territory where the purchaser is located, or is not authorized to sell the product at issue within the medical market.

**SOFTWARE; WITH RESPECT TO SOFTWARE THAT IS A PRODUCT OR COMPONENT THEREOF, MIDMARK DOES NOT WARRANT THAT THE SOFTWARE: (1) IS ERROR FREE; (2) CAN BE USED WITHOUT PROBLEMS OR INTERRUPTIONS; OR (3) IS FREE FROM VULNERABILITY TO INTRUSION OR ATTACK BY VIRUSES OR OTHER METHODS.**

**EXCLUSIVE REMEDY; CONSEQUENTIAL DAMAGES DISCLAIMER** MIDMARK'S ONLY OBLIGATION UNDER THIS LIMITED WARRANTY IS THE REPAIR OR REPLACEMENT OF DEFECTIVE PARTS. MIDMARK SHALL NOT BE LIABLE FOR AND HEREBY DISCLAIMS ANY DIRECT, SPECIAL, INDIRECT, INCIDENTAL, EXEMPLARY OR CONSEQUENTIAL DAMAGES OR DELAYS, INCLUDING, BUT NOT LIMITED TO, DAMAGES FOR LOSS OF PROFITS OR INCOME, LOSS OF USE, LOSS OF DATA, DOWNTIME, COVER AND EMPLOYEE OR INDEPENDENT CONTRACTOR WAGES, PAYMENTS AND BENEFITS. THIS DISCLAIMER SHALL SURVIVE ANY FAILURE OR ASSERTED FAILURE OF THE ESSENTIAL PURPOSE OF THIS LIMITED WARRANTY OR ITS REMEDIES SPECIFIED HEREIN. WARRANTY DISCLAIMER THIS WARRANTY IS MIDMARK'S ONLY WARRANTY AND IS IN LIEU OF ALL OTHER WARRANTIES, EXPRESS OR IMPLIED. MIDMARK MAKES NO IMPLIED WARRANTIES OF ANY KIND INCLUDING ANY IMPLIED WARRANTIES OF MERCHANTABILITY OR FITNESS FOR A PARTICULAR PURPOSE. THIS WARRANTY IS LIMITED TO THE REPAIR OR REPLACEMENT OF DEFECTIVE PARTS.

**STATUTE OF LIMITATIONS** No action may be brought against Midmark for breach of this limited warranty, an implied warranty, if any, or for any other claim arising out of or relating to the products, more than ninety (90) days following expiration of the limited warranty period.

**NO AUTHORIZATION** No person or firm is authorized to create or approve for Midmark any other obligation or liability in connection with the products.

**Notes:**

**Notes:**

Midmark Corporation  
60 Vista Drive  
Versailles, OH 45380-0286  
Phone: 937-526-3662  
Fax: 937-526-5542

[www.midmark.com](http://www.midmark.com)

003-1500-99



Because we care.

# 230

Camilla universal para uso médico

Ritter®  
by MIDMARK

[English](#)

[Español](#)

[Francés](#)



## Guía del usuario

# Información sobre el producto

(La siguiente información es necesaria al llamar para solicitar mantenimiento)

**Distribuidor** [nombre / teléfono]:

**Fecha de compra:**

**Modelo / Número de serie:**

**Servicio técnico autorizado por Midmark** [nombre / teléfono]:

**Ubicación del modelo / número de serie**



MA804200P

# Índice

## **Información importante**

<u><a href="#">Símbolos de seguridad</a></u> .....	4
<u><a href="#">Uso previsto</a></u> .....	5
<u><a href="#">Requisitos eléctricos</a></u> .....	5
<u><a href="#">Interferencia electromagnética</a></u> .....	5
<u><a href="#">Eliminación de equipos</a></u> .....	5
<u><a href="#">Condiciones de transporte y almacenamiento</a></u> .....	5
<u><a href="#">Instrucciones de seguridad</a></u> .....	6
<u><a href="#">Conexión de la palanca y el pedal de control</a></u> .....	6

## **Funcionamiento**

<u><a href="#">Alimentación de la camilla</a></u> .....	7
<u><a href="#">Subir / Bajar la base</a></u> .....	8
<u><a href="#">Subir / Bajar el respaldo</a></u> .....	9
<u><a href="#">Subir / Bajar el reposapiés</a></u> .....	10
<u><a href="#">Subir / Bajar la inclinación</a></u> .....	11
<u><a href="#">Rollo de papel</a></u> .....	12
<u><a href="#">Estribos</a></u> .....	13
<u><a href="#">Bandeja de tratamiento</a></u> .....	14
<u><a href="#">Tomacorriente doble (opcional)</a></u> .....	15
<u><a href="#">Posicionar el reposacabezas</a></u> .....	16
<u><a href="#">Posición rodillas / torso</a></u> .....	17
<u><a href="#">Base giratoria (opcional)</a></u> .....	18

## **Mantenimiento**

<u><a href="#">Limpieza</a></u> .....	19
<u><a href="#">Mantenimiento preventivo</a></u> .....	19
<u><a href="#">Solicitud de servicio técnico</a></u> .....	19

## **Resolución de problemas**

<u><a href="#">Sin función Subir reposapiés</a></u> .....	20
---	----

## **Especificaciones**

<u><a href="#">Pesos, dimensiones y especificaciones eléctricas</a></u> .....	21
<u><a href="#">Identificación del modelo / Tabla de cumplimiento de las normativas</a></u> .....	22
<u><a href="#">Límites de movimiento y dimensiones</a></u> .....	23
<u><a href="#">Garantía limitada</a></u> .....	25

# Información importante - símbolos de seguridad



## ADVERTENCIA

Indica una situación potencialmente peligrosa que podría ocasionar lesiones graves.



## Precaución

Indica una situación potencialmente peligrosa que, de no evitarse, podría ocasionar lesiones.



## Advertencia sobre el equipo

Indica una situación potencialmente peligrosa que, de no evitarse, podría provocar daños al equipo.

## Nota

Desarrolla un procedimiento, una práctica o una condición.



Consultar el manual



Orientación correcta para el transporte



Frágil



Pieza aplicada Tipo B



Toma de tierra protectora



Mantener seco



Número del catálogo



Número de serie



Fabricante



Altura máxima de apilamiento (unidades **almacenadas**)



Especificación nominal del fusible



Protegido contra derrames de agua



Ciclo de trabajo (tiempo de funcionamiento del motor):  
30 segundos ENCENDIDO,  
5 minutos APAGADO



La bandeja debe estar completamente retraída para habilitar la función Subir reposapiés.



Límite de peso del paciente

**Este producto se ha revisado únicamente con respecto al peligro de sacudida eléctrica, incendio y riesgos mecánicos, de acuerdo con las normas UL60601-1 y CAN/CSA C22.2 NO. 601.1.**



## Uso previsto

Este producto, utilizado como sillón o mesa, está diseñado para proporcionar apoyo y mantener a los pacientes en posición durante reconocimientos generales y procedimientos realizados por profesionales médicos calificados.

## Requisitos eléctricos



### **Precaución**

*Cuando utilice equipos quirúrgicos de alta frecuencia o catéteres intracardiacos:*

- *Utilice un material no conductor para proteger al paciente de las partes metálicas de la camilla.*
  - *Consulte las instrucciones de funcionamiento del dispositivo antes de utilizarlo con los calentadores del cajón o de la tapicería.*

*De lo contrario, el paciente puede sufrir una descarga eléctrica o una quemadura.*

## Interferencia electromagnética

Esta mesa Midmark está diseñada y construida para reducir al mínimo las interferencias electromagnéticas con otros dispositivos. Sin embargo, si detecta interferencias entre esta camilla y otros dispositivos:

- Saque el dispositivo que cause interferencias fuera de la sala
- Enchufe la camilla a un circuito aislado
- Aumente la distancia de separación entre la camilla y el dispositivo que cause interferencias
- Póngase en contacto con Midmark si persiste la interferencia

## Eliminación de equipos

Al final del ciclo de vida del producto, tanto la camilla como sus accesorios y otros consumibles podrían estar contaminados por efecto de su uso habitual. Consulte las normativas y códigos locales para la correcta eliminación de equipos, accesorios y otros productos fungibles.

## Condiciones de transporte y almacenamiento

Rango de temperatura ambiente..... de +5°C a +38°C (de +41°F a 100°F)  
Humedad relativa .....de 10 % a 90 % (sin condensación)  
Presión atmosférica..... de 0,49 atm a 1,05 atm (500 hPa a 1060 hPa)

# Instrucciones de seguridad



## Precaución

Asegúrese de que no haya personas ni instrumental cerca de la camilla antes de activar cualquier función. Si no lo hace puede provocar lesiones personales.

## Conexión de la palanca y el pedal de control

Hay dos entradas de cable para la palanca y el pedal de control. Una está situada en la columna de la base que se encuentra en el extremo del pie de la camilla, y la otra está en la tapa del ordenador que se encuentra en el extremo del cabecero. Estas entradas de cable son intercambiables.



## Advertencia sobre el equipo

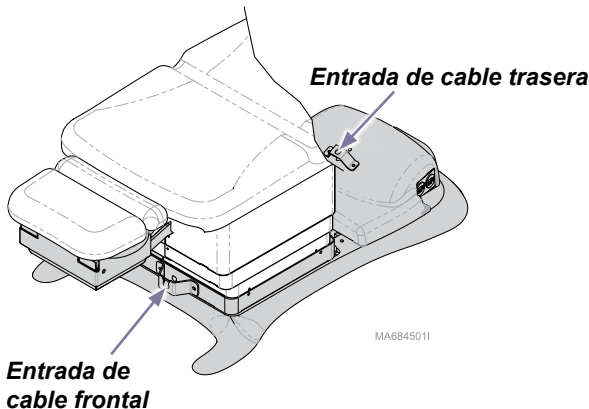
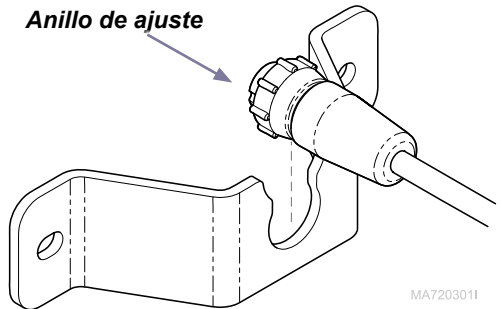
Nunca enchufe la palanca ni el pedal de control en otras tomas de corriente. De lo contrario puede dañar el equipo.

### Para conectar el cable de la palanca y el pedal de control...

- Introduzca una pequeña parte del conector del cable en el soporte.
- Conecte el cable a la entrada (véase la nota).
- Apriete el anillo de ajuste.

Nota: El conector del cable puede graduarse y debe orientarse de la forma adecuada para la conexión.

Anillo de ajuste



# Funcionamiento

## Alimentación de la camilla

### Si la camilla no recibe corriente...

Todas las funciones estarán deshabilitadas.

### Antes de llamar al servicio técnico...

- A) Compruebe que los cables de alimentación están conectados correctamente.
- B) Verifique o reinicie el disyuntor de circuito.
- C) Verifique o cambie los fusibles de la camilla.



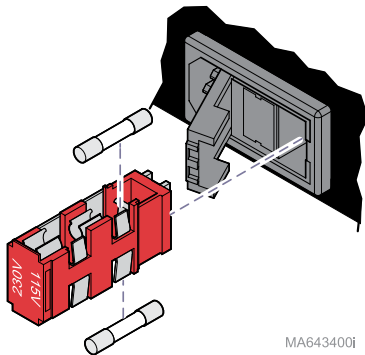
### Si la luz de indicación de la alimentación está...

**ENCENDIDA:** La camilla recibe corriente.

**APAGADA:** La camilla no recibe corriente.

### Antes de cambiar los fusibles...

Desconecte la camilla del cable de alimentación.



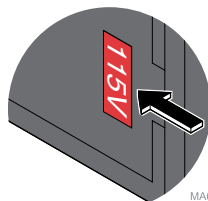
MA643400i

### Para cambiar los fusibles...

[Compruebe en la sección Especificaciones el tamaño y la clasificación correctos de los fusibles]

- A) Abra la tapa de los fusibles.
- B) Extraiga la caja de los fusibles y los fusibles que no funcionen.
- C) Instale los nuevos fusibles y vuelva a colocar la caja de los fusibles.

**Atención:** El voltaje que se vea en la tapa de la caja de los fusibles debe ser el mismo que el del enchufe al que vaya a conectar el equipo.



MA644600i



### Advertencia sobre el equipo

Si el voltaje no se corresponde, la camilla se estropeará.

## Subir / Bajar la base

**Para mover la base hacia ARRIBA o hacia ABAJO...**  
Mantenga presionado el botón adecuado.



**El movimiento se detiene cuando...**

Se suelta el botón de Subida/Bajada.  
Se alcanza la posición máxima/mínima.



### Máximo

Base estándar: 101,6 cm (40 pulg.)

Base giratoria: 110,5 cm (43,5 pulg.)



### Mínimo

Base estándar: 57 cm (22,5 pulg.)

Base giratoria: 66 cm (26 pulg.)

## Subir / Bajar el respaldo

**Para SUBIR o BAJAR la sección del respaldo...**  
Mantenga presionado el botón adecuado.



**Máx.**  
 $85^{\circ} \pm 3^{\circ}$



**El movimiento se detiene cuando...**  
Se alcanza la posición máxima/mínima.  
Se suelta el botón de Subida/Bajada.

## Subir / Bajar el reposapiés

### Atención

**La función Subir el reposapiés está deshabilitada cuando la bandeja de tratamiento está desplegada.**

*(Escuchará varios pitidos cuando la función Subir el reposapiés esté activada con la bandeja desplegada).*

*Para reanudar el funcionamiento de subida del reposapiés:  
Introduzca completamente la bandeja.  
Presione el botón Subir el reposapiés.*

**Para subir o bajar la sección del reposapiés...**  
*Mantenga presionado el botón adecuado.*



**El movimiento se detiene cuando...**  
*Se alcanza la posición máxima/mínima.  
Se suelta el botón de Subida/Bajada.*

**Máx.**  
 $0^{\circ} \pm 0,5^{\circ}$



**Min.**  
 $90^{\circ} \pm 1^{\circ}$

## Subir / Bajar la inclinación

**Para inclinar hacia ARRIBA o hacia ABAJO la sección del asiento...**  
Mantenga presionado el botón adecuado.

**El movimiento se detiene cuando...**  
Se alcanza la posición máxima/mínima.  
Se suelta el botón de Subida/Bajada.



**Máx.**  
 $30^{\circ} \pm 2^{\circ}$



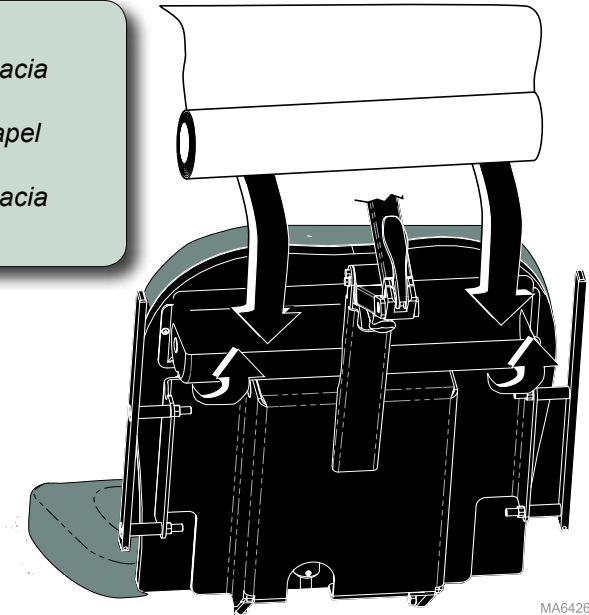
**Mín.**  
 $0^{\circ} \pm 0,5^{\circ}$

## **Rollo de papel**

Tamaño del rollo de papel (máx.) ..... 45,7 cm de largo x 8,9 cm de diámetro  
(18 pulg. x 3,5 pulg.)

### **Para instalar el rollo de papel...**

- A) Gire la cubierta del rollo de papel hacia atrás para abrirla.
- B) Instale el rollo de papel y tire del papel sobre la camilla.
- C) Gire la cubierta del rollo de papel hacia adelante para cerrarla.



MA642601I



## Estribos



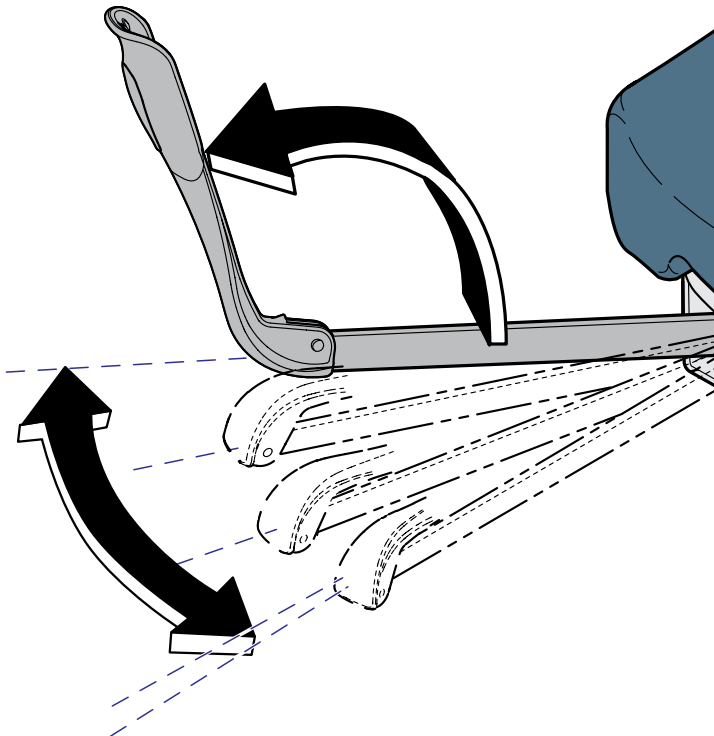
### **Precaución**

*Nunca utilice estribos para levantar la camilla.*

*Asegúrese de los estribos estén bloqueados en su posición antes de usar la camilla.  
Los estribos no están diseñados para soportar todo el peso del paciente/fuerza excesiva.*

### **Para colocar los estribos...**

- A) Saque el estribo y despléguelo.
- B) Eleve ligeramente el estribo y muévelo hacia la izquierda o la derecha, como lo desee.
- C) Libere el estribo y fíjelo en la posición deseada.



MA602500i

## **Bandeja de tratamiento**

### **Atención**

**La función Subir el reposapiés está deshabilitada cuando la bandeja de tratamiento está desplegada.**

*(Escuchará varios pitidos cuando la función Subir el reposapiés esté activada con la bandeja desplegada).*

*Para reanudar el funcionamiento de subida del reposapiés:*

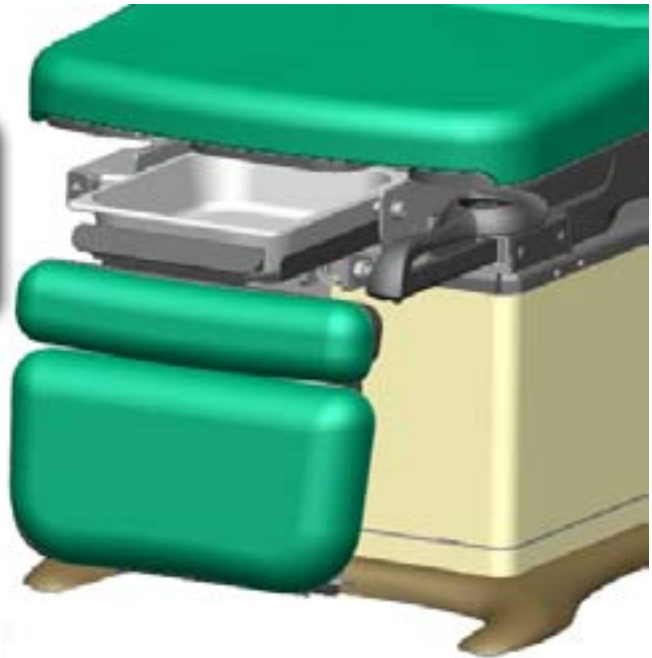
*Introduzca completamente la bandeja.*

*Presione el botón Subir el reposapiés.*

### **Para acceder a la bandeja de tratamiento...**

A) *Baje la sección del reposapiés.*

B) *Extraiga la bandeja de tratamiento.*



## **Tomacorriente doble (opcional; no disponible en los modelos de 230 voltios)**

*El tomacorriente doble proporciona potencia para ser utilizada por los accesorios que se utilizan durante el reconocimiento.*

*La alimentación del tomacorriente se interrumpirá si se supera la carga máxima.*

**Carga máxima** [ambos tomacorrientes combinados].. 115 V CA, 3 amperios, 50/60 Hz

### **Advertencia sobre el equipo**



*Si se sobrepasa el voltaje máximo del tomacorriente, los fusibles podrían fundirse. Si esto ocurre, todas las funciones de la camilla quedarán deshabilitadas hasta que se recambien los fusibles.*

*[En la página **Conexión de la camilla a la corriente** se muestra cómo cambiar los fusibles.]*



## Posicionar el reposacabezas



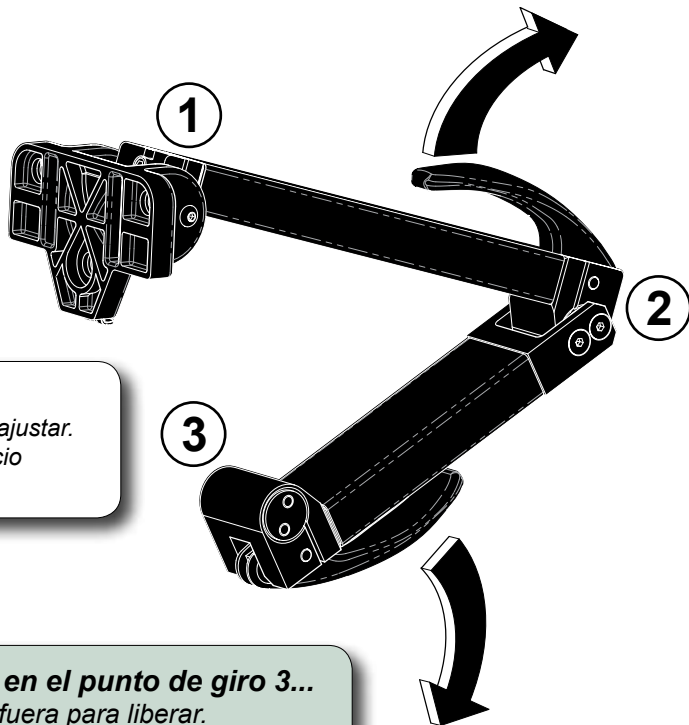
### Precaución

Asegúrese de que el reposacabezas está fijo en la posición deseada de forma segura antes de usarlo.

### Para ajustar el reposacabezas en los puntos de giro 1 y/o 2...

- A) Tire de la manija superior hacia afuera para liberar.
- B) Mueva los puntos de giro a la posición deseada.
- C) Empuje la manija superior hacia dentro para fijarla en su posición.

[Para mayor claridad no se muestra la parte tapizada]



### Nota

La tensión de la manija se puede ajustar. Póngase en contacto con el servicio técnico si se requiere un ajuste.

### Para ajustar el reposacabezas en el punto de giro 3...

- A) Tire de la manija inferior hacia afuera para liberar.
- B) Mueva el punto de giro a la posición deseada.
- C) Empuje la manija inferior hacia dentro para fijarla en su posición.

MA642200i

## Posición rodillas / torso



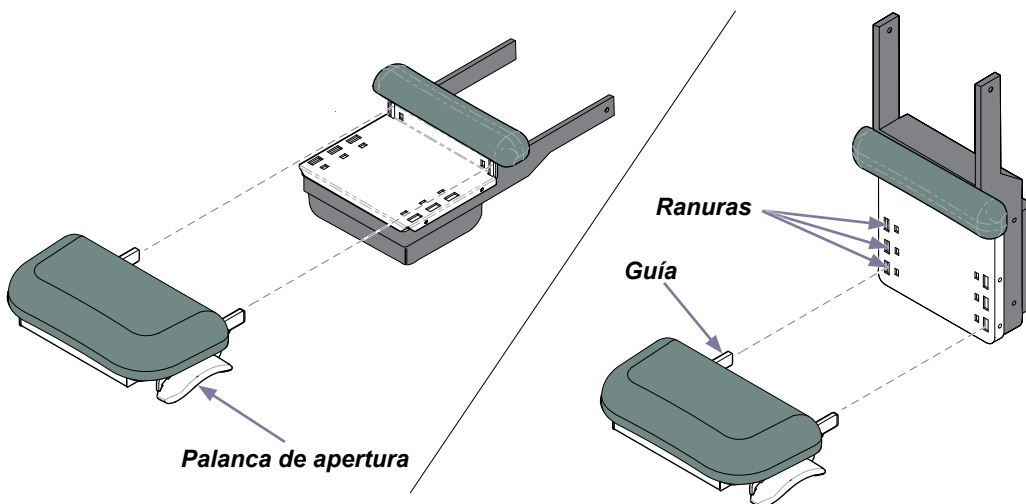
### **Precaución**

Asegúrese de que la sección del reposapiés está fija en la posición deseada de forma segura antes de usarlo.



### **Para quitar la sección del reposapiés...**

- A) Suba las palancas que hay a los lados de la sección del reposapiés.
- B) Tire de la sección del reposapiés hacia afuera.



MA6847001

### **Para instalar la sección del reposapiés en la posición de las rodillas / torso...**

- A) Baje la sección del reposapiés.
- B) Inserte las guías de la sección del reposapiés en las ranuras deseadas.
- C) Asegúrese de que la sección del reposapiés está encajada de forma segura antes de usarla.

## **Base giratoria (opcional)**

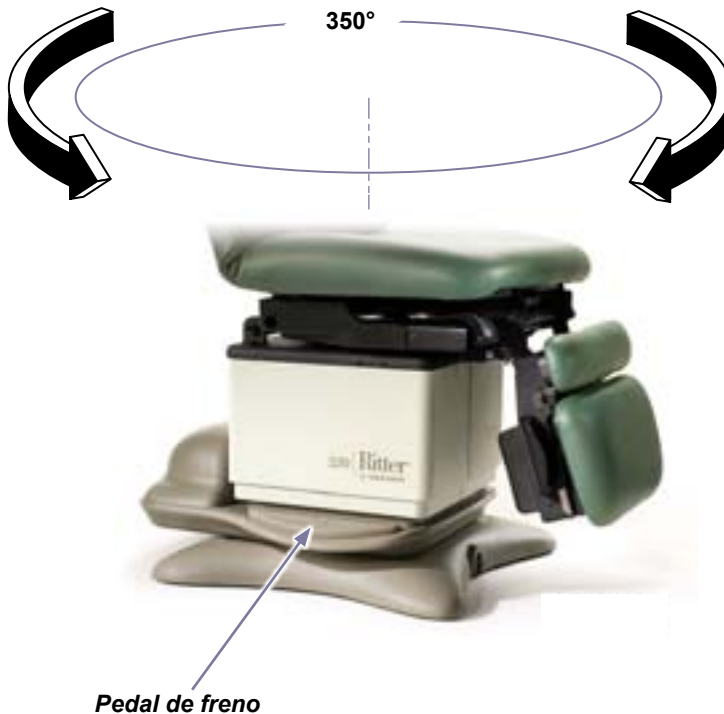
### **Para girar la base de la camilla...**

- A) Presione y suelte el pedal de freno.
- B) Gire la camilla hasta la posición deseada.

### **Para bloquear la posición...**

- A) Presione y suelte el pedal de freno.

*Nota: La base quedará fijada automáticamente en la posición deseada una vez transcurridos dos minutos*



# Mantenimiento

## Limpieza

### Tapicería



### **Advertencia sobre el equipo**

*La tapicería es resistente a la mayoría de las manchas que pueden producirse con el uso médico, pero puede dañarse si se derraman tintes o disolventes sobre ella. Debe secar inmediatamente los líquidos que se derramen sobre la tapicería.*

Limpie todas las semanas la tapicería con un jabón líquido suave mezclado con agua, enjuague con agua limpia y seque completamente para eliminar el desinfectante acumulado.

Desinfecte la tapicería utilizando una solución de lejía común y agua 1:10 (10 %) o productos basados en cloro. A continuación, enjuague con agua limpia y seque a fondo el material. Véanse las Directrices vigentes de los Centros para el Control y la Prevención de Enfermedades para la desinfección y esterilización en centros sanitarios.

Para minimizar la acumulación de residuos de desinfectante/limpiador, no deje que los desinfectantes se acumulen en la superficie de la tapicería. Una vez transcurrido el tiempo de contacto aprobado, retire y seque el exceso de líquido que quede en la superficie.

Con el producto se incluyen instrucciones detalladas de conservación y mantenimiento. Esta información también está disponible en [www.midmark.com](http://www.midmark.com) en la biblioteca técnica situada en el apartado "Información del usuario" de su producto.

### **Superficies de plástico y pintadas**

Limpie las superficies de plástico y metal pintado pasando un paño suave y limpio con limpiadores suaves.

## Mantenimiento preventivo

Revisión periódica de las siguientes áreas:

- El cable de alimentación no debe presentar cortes ni otros daños visibles.
- Todos los elementos de sujeción deben estar colocados y bien apretados.
- Todas las funciones mecánicas deben funcionar correctamente.

Pida cada 12 meses a un técnico de servicio cualificado que revise su equipo.

## Solicitud de servicio técnico

**[Se necesita el número de serie del producto]**

Póngase en contacto con su distribuidor Midmark o visite la página [www.midmark.com](http://www.midmark.com) para localizar su servicio técnico más cercano.



Para ponerse en contacto directamente con Midmark:

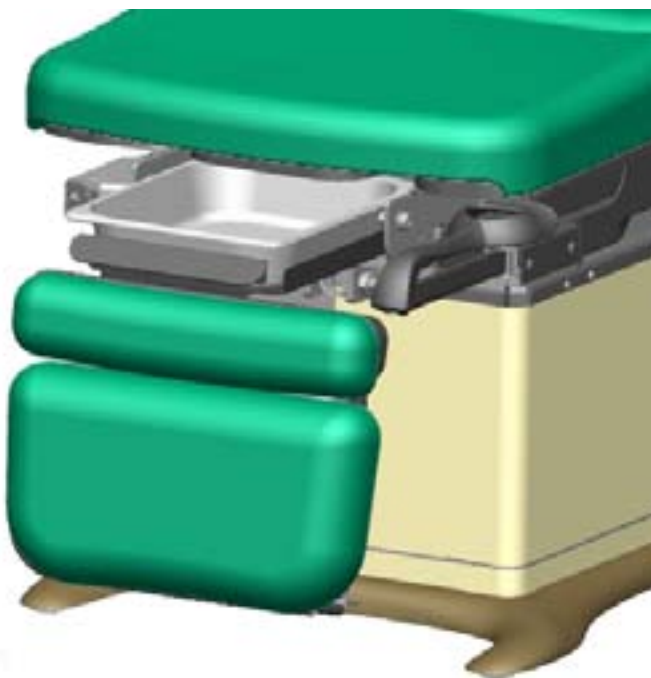
+1-937-526-3662

de 8:00 a.m. a 5:00 p.m. de lunes a viernes (hora de la costa este) [excepto días festivos en los EE. UU.]

# Resolución de problemas

## Sin función Subir reposapiés

<b><i>Función</i></b>	<b><i>Estado</i></b>	<b><i>Problema</i></b>	<b><i>Corrección</i></b>
Subir reposapiés		Sin movimiento (pitidos)	Empuje la bandeja de tratamiento hacia dentro.
Todas las demás funciones		OK	-





# Especificaciones

## Pesos, dimensiones y especificaciones eléctricas

<b>Peso del paciente (máximo):</b>	204,1 kg (450 lbs)
<b>Rollo del papel (tamaño máximo):</b>	45,7 cm de largo x 8,9 cm de diámetro (18 pulg. x 3,5 pulg.)
<b>Límites de movimiento y dimensiones:</b>	<i>[Consulte la página Límites de movimiento y dimensiones]</i>
<b>Peso de la camilla:</b> <b>230 (con base estándar)</b> con embalaje y plataforma <b>230 (con base giratoria)</b> con embalaje y plataforma	206,4 kg (455 lbs) 231,3 kg (510 lbs) 244,9 kg (540 lbs) 271,1 kg (600 lbs)
<b>Cable de alimentación:</b>	243,8 cm (8 pies) de largo
<b>Requisitos eléctricos:</b>	<i>[Consulte las Tablas de cumplimiento]</i>
<b>Voltaje del pedal de control:</b>	10 V CA, SELV (voltaje de seguridad extra bajo)
<b>Tomacorriente doble (opcional) carga máxima:</b>	115 V CA, 3 A, 50/60 Hz
<b>Fusibles:</b> <i>Ubicados en la entrada del cable de alimentación: F1 y F2</i>	6,3 A, 250 V, tipo T, 5 mm x 20 mm
<b>Ciclo de trabajo (tiempo de funcionamiento del motor):</b>	Funcionamiento intermitente <i>[30 segundos ENCENDIDO, 5 minutos APAGADO]</i>
<b>Clasificaciones:</b>	Clase 1, parte aplicada Tipo B
<b>Protección contra la entrada de líquidos:</b> <i>Solo pedal de control:</i>	equipo ordinario IPX1
<b>Cumplimiento legal:</b>	<i>[Consulte la Tabla de cumplimiento]</i>



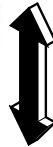
### **ADVERTENCIA**

*El equipo no se puede utilizar en presencia de mezclas anestésicas inflamables.*

# Identificación del modelo / Tabla de cumplimiento de las normativas

Modelo	Descripción	Prefijo del número de serie	Conformidad con:				Clasificaciones eléctricas:		
			UL 60601-1	CAN/CSA 22.2, #601.1-M90	IEC 60601-1	EN 60601-1-2 (EMC)	VAC +/-10 %	Ampe- rios	Ciclos (Hz)
230-001	Camilla universal para uso médico Ritter (No programable)	V	X	X	X	X	Configurable 115 230	7 3.5	50 / 60
230-002	Camilla universal para uso médico Ritter (No programable) con tomacorriente	V	X	X	X	X	115	10	50 / 60
230-003	Camilla universal para uso médico Ritter (No programable) con base giratoria	V	X	X	X	X	Configurable 115 230	7.5 3.8	50 / 60

# Límites de movimiento y dimensiones



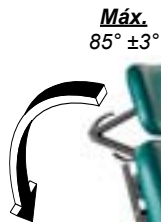
**Máx.**  
Base estándar: 101,6 cm (40 pulg.)  
Base giratoria: 110,5 cm (43,5 pulg.)

**Mínimo**  
Base estándar: 57 cm (22,5 pulg.)  
Base giratoria: 66 cm (26 pulg.)



**Máx.**  
 $30^{\circ} \pm 2^{\circ}$

**Mín.**  
 $0^{\circ} \pm 0,5^{\circ}$



**Máx.**  
 $85^{\circ} \pm 3^{\circ}$

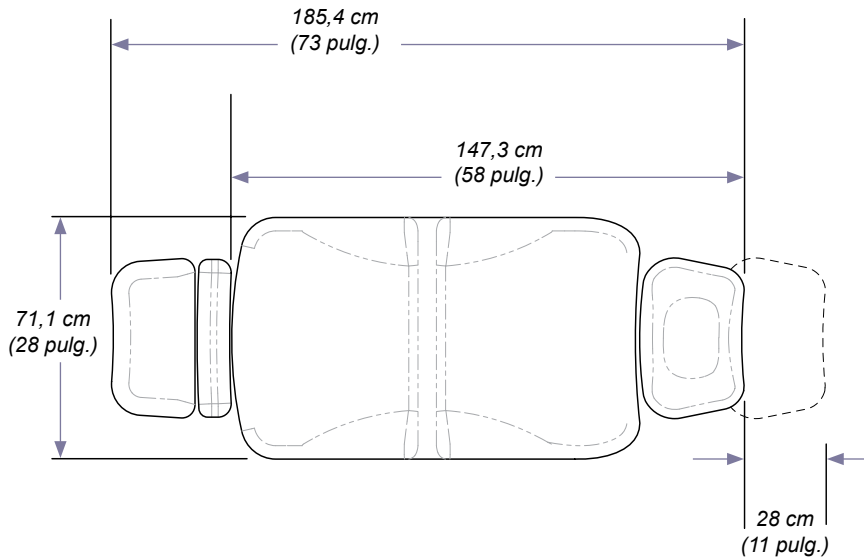
**Mín.**  
 $0^{\circ} \pm 0,5^{\circ}$



**Máx.**  
 $0^{\circ} \pm 0,5^{\circ}$

**Mín.**  
 $90^{\circ} \pm 1^{\circ}$

## Límites de movimiento y dimensiones (continuación)

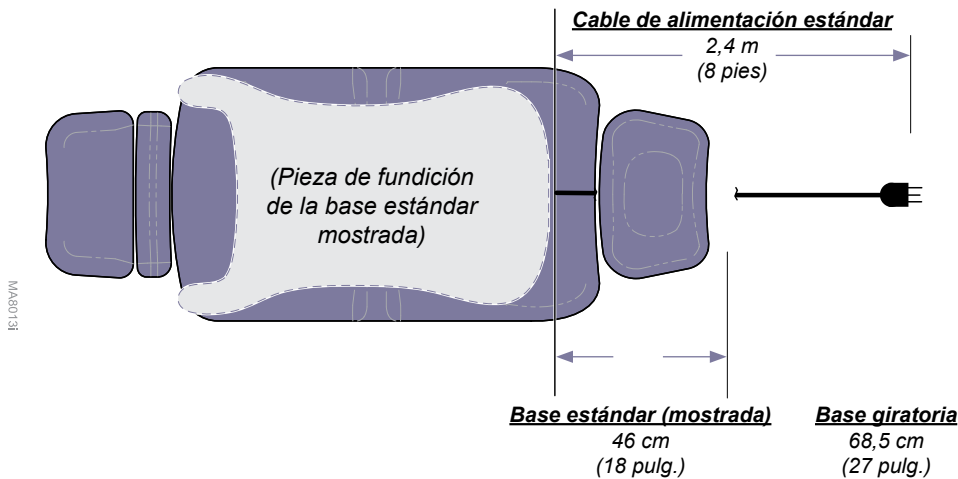


### Cable de alimentación opcional

91 cm  
(3 pies)

### Cable de alimentación estándar

2,4 m  
(8 pies)



# Información sobre la garantía

**COBERTURA DE LA GARANTÍA.** Midmark Corporation («Midmark») garantiza al comprador minorista original que reparará o reemplazará, a discreción de Midmark, los componentes de los productos médicos nacionales e internacionales fabricados por Midmark (excepto los componentes no garantizados en «Exclusiones») que contengan materiales defectuosos o fallos de mano de obra en condiciones normales de uso y servicio. La responsabilidad única en virtud de esta garantía limitada es a la reparación o la sustitución, a discreción de Midmark, de los componentes aplicables. Esta garantía limitada solo se aplicará a los defectos que se notifiquen a Midmark dentro del período de garantía y cuya existencia se llega a determinar tras un examen efectuado por Midmark. Esta garantía se expide únicamente al comprador minorista original de un producto y no es transferible ni asignable. Se pueden utilizar componentes o productos de repuesto o reformados, siempre y cuando tengan la misma calidad y especificaciones que los componentes y productos nuevos.

Midmark garantiza al comprador minorista original que, durante el período de garantía, reparará o reemplazará el software contenido en los productos fabricados por Midmark (excepto los que no estén garantizados en «Exclusiones») si: (1) los formatos en los que se proporciona el software muestran materiales defectuosos o fallos de mano de obra en condiciones normales de uso y servicio; o (2) el software no se ajusta sustancialmente a las especificaciones publicadas.

**PERÍODO DE LA GARANTÍA** El período de validez de la garantía de todos los productos y componentes es de un (1) año a partir de la fecha de facturación al comprador minorista original del producto.

**OBTENCIÓN DEL SERVICIO DE GARANTÍA** El servicio de garantía debe obtenerse a través de un distribuidor de Midmark o un distribuidor autorizado por Midmark en la línea de productos para la que se solicita el servicio de garantía. Puede contactar con Midmark para consultarle dudas o problemas sobre el servicio de garantía por correo electrónico en [www.midmark.com](http://www.midmark.com), por teléfono al +1-937-526-3662 o por correo postal a Midmark Corporation, 60 Vista Drive, Versailles, Ohio 45380. Es obligación del comprador minorista organizar la entrega de un producto a Midmark o a uno de sus distribuidores autorizados para el servicio de garantía, la cual correrá a cargo del comprador. También es obligación del comprador minorista cumplir las instrucciones de servicio de garantía proporcionadas, ya sea por Midmark o por su distribuidor autorizado. El comprador minorista debe suministrar a Midmark la información de registro de la garantía completada en un plazo de treinta (30) días después de la compra con el fin de obtener los beneficios de esta garantía limitada.

**EXCLUSIONES:** Esta garantía limitada no cubre (y Midmark no es responsable de) lo siguiente:

- (1) Defectos, daños u otras condiciones causadas, en su totalidad o en parte, por el mal uso, abuso, negligencia, alteración, accidente, daños durante el transporte, almacenamiento negligente, manipulación o incapacidad de solicitar y lograr la reparación o la sustitución dentro del plazo estipulado;
- (2) Productos que no se hayan instalado, utilizado o limpiado y mantenido adecuadamente tal y como se indica o se recomienda en la «Instalación» de Midmark y/o el «Manual de instalación/uso» del producto en cuestión, incluidas las condiciones de entorno estructural y operativo y los requisitos de alimentación eléctrica;
- (3) Productos considerados de naturaleza consumible o estéril;
- (4) Accesorios o piezas no fabricados por Midmark;
- (5) Facturas de terceros en concepto de ajustes, reparaciones, piezas de recambio, instalaciones o cualquier otra modificación del producto, o relacionada con el mismo, que se hayan realizado sin la autorización previa por escrito de Midmark;
- (6) Costes y gastos de mantenimiento y limpieza rutinarios; y
- (7) Declaraciones y garantías hechas por cualquier persona o entidad que no sea Midmark.
- (8) Coincidencia de color, grano o textura, a excepción de las normas comercialmente aceptables;
- (9) Cambios en el color causados por la luz natural o artificial;
- (10) Productos fabricados a medida;
- (11) Alteraciones o modificaciones del producto efectuadas por cualquier persona o entidad que no sea Midmark; y
- (12) Productos que estarían cubiertos por esta garantía limitada pero que se hayan adquirido: (i) a través de una persona o entidad distinta a Midmark o sus distribuidores autorizados; o (ii) a través de un distribuidor de Midmark que no tenga la autorización para vender el producto en cuestión en el territorio donde se encuentre el comprador, o que no tenga la autorización para vender el producto en el sector médico.

**SOFTWARE; EN RELACIÓN CON EL SOFTWARE QUE CONSTITUYA UN PRODUCTO O COMPONENTE DEL MISMO, MIDMARK NO GARANTIZA QUE EL SOFTWARE:** (1) ESTÉ LIBRE DE ERRORES; (2) SE PUEDA UTILIZAR SIN PROBLEMAS NI INTERRUPCIONES; O (3) NO SEA VULNERABLE A LA INTRUSIÓN O AL ATAQUE DE VIRUS U OTROS MÉTODOS.

**RESPONSABILIDAD EXCLUSIVA; DAÑOS EMERGENTES; LA ÚNICA RESPONSABILIDAD DE MIDMARK EN VIRTUD DE LA PRESENTE GARANTÍA LIMITADA ES LA DE REPARAR O SUSTITUIR LAS PIEZAS DEFECTUOSAS.** MIDMARK NO SE HACE RESPONSABLE DE, Y POR LA PRESENTE RENUNCIA A, CUALESQUIERA DAÑOS DIRECTOS, ESPECIALES, INDIRECTOS, ACCIDENTALES, EJEMPLARES O CONSECUENTES, O DEMORAS, INCLUIDOS, SIN LIMITACIÓN, DAÑOS POR PÉRDIDA DE GANANCIAS O INGRESOS, PÉRDIDA DE USO, PÉRDIDA DE DATOS, TIEMPO MUERTO, COBERTURA Y SALARIOS DE EMPLEADOS O DE CONTRATISTA INDEPENDIENTE, PAGOS Y BENEFICIOS. LA PRESENTE EXENCIÓN DE RESPONSABILIDAD SERÁ VÁLIDA AUN EN CASO DE INCUMPLIMIENTO O INCUMPLIMIENTO ALEGADO DEL OBJETIVO PRINCIPAL DE ESTA GARANTÍA LIMITADA O DE SUS RESPONSABILIDADES ESPECIFICADAS EN EL PRESENTE DOCUMENTO. EXENCIÓN DE RESPONSABILIDAD DE LA GARANTÍA ESTA ES LA GARANTÍA COMPLETA DE MIDMARK Y SUSTITUYE A CUALQUIER OTRA GARANTÍA, EXPLÍCITA O IMPLÍCITA. MIDMARK NO OFRECE GARANTÍAS IMPLÍCITAS DE NINGÚN TIPO, INCLUIDAS LAS IMPLÍCITAS DE COMERCIABILIDAD O IDONEIDAD PARA UN PROPÓSITO DETERMINADO. ESTA GARANTÍA SE LIMITA A LA REPARACIÓN O SUSTITUCIÓN DE PIEZAS DEFECTUOSAS.

**ESTATUTO DE LIMITACIONES** No podrá interponerse ninguna acción contra Midmark por incumplimiento de esta garantía limitada, de una garantía implícita, si las hubiere, o por cualquier otra reclamación que surja de o en relación con los productos, después de transcurridos noventa (90) días después del vencimiento del período de garantía limitada.

**AUTORIZACIÓN** Midmark no autoriza a ninguna persona ni empresa a imponer ni aprobar ninguna otra obligación ni responsabilidad en relación con los productos.

**Notas:**

**Notas:**

Midmark Corporation  
60 Vista Drive  
Versailles, OH 45380-0286  
Teléfono: 937-526-3662  
Fax: 937-526-5542

[www.midmark.com](http://www.midmark.com)

003-1500-99



Because we care.



# 230

Table d'intervention universelle

**Ritter®**  
by MIDMARK

[English](#)

[Español](#)

[Français](#)



## Guide de l'utilisateur

# Informations produit

(Les renseignements ci-dessous sont nécessaires lorsque vous contactez le service après-vente.)

**Revendeur** [nom / téléphone] :

**Date d'acquisition** :

**Numéro de modèle / de série** :

**Société de service après-vente agréée Midmark**  
[nom / téléphone] :

**Emplacement du numéro de modèle / de série**



MA804200P

# Table des matières

## **Renseignements importants**

<i>Symboles de sécurité</i> .....	4
<i>Utilisation prévue</i> .....	5
<i>Alimentation électrique</i> .....	5
<i>Interférences électromagnétiques</i> .....	5
<i>Mise au rebut de l'équipement</i> .....	5
<i>Transport et conditions de stockage</i> .....	5
<i>Consignes de sécurité</i> .....	6
<i>Raccordement de la commande manuelle et de la pédale</i> .....	6

## **Fonctionnement**

<i>Alimentation de la table</i> .....	7
<i>Relevage / Abaissement de la base</i> .....	8
<i>Relevage / Abaissement du dossier</i> .....	9
<i>Relevage / Abaissement des pieds</i> .....	10
<i>Inclinaison vers le haut / vers le bas</i> .....	11
<i>Rouleau de papier</i> .....	12
<i>Étrier</i> .....	13
<i>Cuvette</i> .....	14
<i>Prise de courant double (en option - non disponible sur les modèles en 230 V)</i> .....	15
<i>Positionnement de la têtesière</i> .....	16
<i>Position genoux / poitrine</i> .....	17
<i>Base rotative (en option)</i> .....	18

## **Entretien**

<i>Nettoyage</i> .....	19
<i>Entretien préventif</i> .....	19
<i>Service après-vente</i> .....	19

## **Dépannage**

<i>Pas de fonction de relevage des pieds</i> .....	20
--	----

## **Caractéristiques techniques**

<i>Poids, dimensions, caractéristiques électriques</i> .....	21
<i>Identification du modèle / Tableau de conformité</i> .....	22
<i>Amplitude de déplacement et dimensions</i> .....	23

<b>Garantie limitée</b> .....	25
-------------------------------	----

# Renseignements importants - Symboles de sécurité



## AVERTISSEMENT

Signale un danger potentiel qui pourrait entraîner des blessures graves.



## Attention

Signale un danger potentiel qui doit être évité, sous peine de blessures graves.



## Avertissement relatif à l'équipement

Signale un danger potentiel qui doit être évité, sous peine d'endommagement du matériel.

## Remarque

Attire l'attention sur une procédure, une pratique ou une situation.



Consulter le manuel



Orientation correcte pour l'expédition



Fragile



Type B, partie appliquée



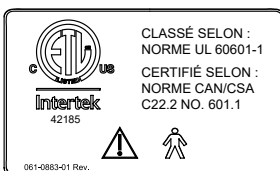
Mise à la terre de protection



Conserver au sec



Numéro de catalogue



Numéro de série



Fabricant



Hauteur maximale d'empilage (palettes empilées)



Calibre des fusibles



Protégé contre les ruissellements d'eau



Cycle d'utilisation (cycle du moteur) : 30 secondes ACTIVÉ, 5 minutes DÉACTIVÉ



La cuvette doit être complètement rétractée pour permettre la fonction de relevage des pieds.



Poids limite du patient

**Ce produit a été testé quant aux risques d'électrocution, d'incendie et de dangers mécaniques uniquement, selon les normes UL60601-1 et CAN/CSA C22.2 NO. 601.1.**

## Utilisation prévue

Ce produit est destiné à être utilisé comme un fauteuil ou une table afin de permettre le placement et le support du patient lors d'une procédure ou d'un examen général exécuté par un professionnel de la santé qualifié.

## Alimentation électrique



### Attention

*En cas d'utilisation d'appareils chirurgicaux à haute fréquence ou de cathéters endocardiques :*

- *Utilisez un matériau non conducteur pour isoler le patient des parties métalliques de la table.*
- *Consultez les instructions d'utilisation de l'appareil avant de l'utiliser avec l'élément chauffant du tiroir ou de la garniture.*

*Tout manquement à cette recommandation peut provoquer une électrocution ou des brûlures au patient.*

## Interférences électromagnétiques

Cette table Midmark est conçue et construite pour minimiser les interférences électromagnétiques avec d'autres appareils. Cependant, en cas d'interférences entre un autre appareil et cette table :

- retirez de la pièce l'appareil qui crée les interférences ;
- branchez la table sur un circuit isolé ;
- augmentez la distance entre la table et l'appareil qui crée les interférences ;
- contactez Midmark si les interférences persistent.

## Mise au rebut de l'équipement

À la fin de la durée de vie du produit, la table, les accessoires et autres fournitures peuvent devenir contaminés dans le cadre d'une utilisation normale. Consultez les codes et les arrêtés locaux pour vous renseigner sur la mise au rebut appropriée de l'équipement, des accessoires et autres fournitures.

## Transport et conditions de stockage

Plage de températures ambiantes..... +5 °C à 38 °C (+41 °F à 100 °F)  
Humidité relative..... 10 à 90 % (sans condensation)  
Pression atmosphérique..... 500 hPa à 1 060 hPa (0,49 atm à 1,05 atm)

# Consignes de sécurité



## Attention

Veillez à ce que tout membre du personnel et tout équipement soient éloignés de la table avant d'activer une fonction. Tout manquement à cette recommandation peut entraîner des blessures.

## Raccordement de la commande manuelle et de la pédale

Il y a deux prises de raccordement pour la commande manuelle et la pédale. L'une se trouve sur la colonne de base, à l'extrémité « pieds » de la table, et l'autre, sur le capot du cordon d'alimentation, à l'extrémité « tête ». Ces prises de raccordement sont interchangeables.



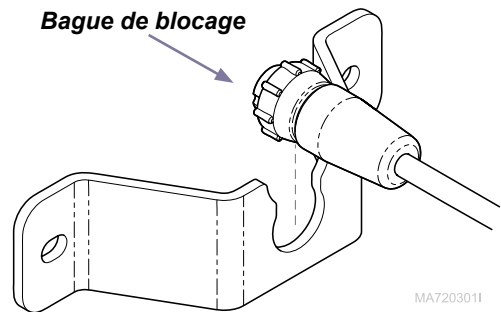
## Avertissement relatif à l'équipement

Ne branchez jamais la commande manuelle / la pédale dans une autre prise. Cela pourrait endommager l'équipement.

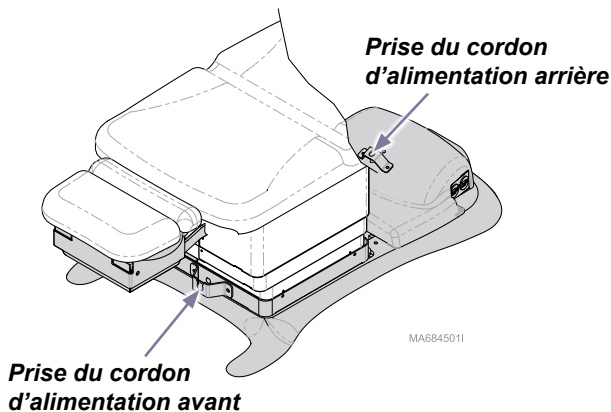
### Pour brancher le cordon d'alimentation de la commande manuelle et de la pédale...

- Glissez la partie étroite de la fiche dans le support.
- Branchez le cordon d'alimentation dans la prise (voir Remarque).
- Serrez la bague de blocage.

Remarque : la fiche est « à détrompeur » et doit être correctement orientée pour être branchée.



MA7203011



MA6845011

# Fonctionnement

## Alimentation de la table

**Si la table n'est pas alimentée...**

Aucune fonction ne sera disponible.

**Avant d'appeler le service après-vente...**

- A) Vérifiez les connexions du cordon d'alimentation.
- B) Vérifiez / réinitialisez le disjoncteur de l'installation.
- C) Vérifiez / remplacez le ou les fusibles de la table.

**Si le témoin d'alimentation est...**

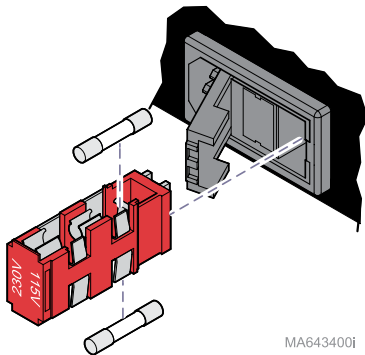
**ALLUMÉ :** la table est alimentée.

**ÉTEINT :** la table n'est pas alimentée.



**Avant de remplacer les fusibles...**

Débranchez le cordon d'alimentation de la table.



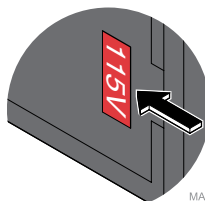
MA643400i

**Pour remplacer les fusibles...**

[Consultez la section Caractéristiques techniques pour connaître la taille et le calibre corrects des fusibles]

- A) Ouvrez le capot du porte-fusible.
- B) Retirez le porte-fusible et le ou les fusibles défectueux.
- C) Installez un ou plusieurs fusibles neufs et remettez le porte-fusible en place.

**Attention :** la tension apparaissant dans la fenêtre du capot de porte-fusible doit correspondre à la tension d'alimentation de l'installation.



MA644600i



**Avertissement relatif à l'équipement**

Un réglage de tension incorrect endommagera la table.

## Relevage / Abaissement de la base

**Pour RELEVER ou ABAISSER la base...**  
Maintenez enfoncé le bouton approprié.



**Le déplacement s'arrête lorsque...**  
Le bouton de relevage / abaissement est relâché.  
La position maximale / minimale est atteinte.



**Max.**  
Base standard : 101,6 cm (40 in.)  
Base rotative : 110,5 cm (43.5 in.)



**Min.**  
Base standard : 57 cm (22.5 in.)  
Base rotative : 66 cm (26 in.)



## Relevage /Abaissement du dossier

**Pour RELEVER ou ABAISSER le dossier...**  
Maintenez enfoncé le bouton approprié.



**Max.**  
 $85^{\circ} \pm 3^{\circ}$



**Le déplacement s'arrête lorsque...**  
La position maximale / minimale est atteinte.  
Le bouton de relevage / abaissement est relâché.

## Relevage / Abaissement des pieds

### Attention !

**La fonction Relevage des pieds est désactivée lorsque la cuvette est sortie.**  
(Vous entendrez plusieurs « bips » lorsque la fonction Relevage des pieds est activée alors que la cuvette est sortie.)

Pour reprendre la fonction de Relevage des pieds :  
Rentrez complètement la cuvette.  
Appuyez sur le bouton de relevage des pieds.



**Pour RELEVER ou ABAISSER le repose-pieds...**  
Maintenez enfoncé le bouton approprié.

**Le déplacement s'arrête lorsque...**  
La position maximale / minimale est atteinte.  
Le bouton de relevage / abaissement est relâché.



**Max.**  
 $0^{\circ} \pm 0,5^{\circ}$



**Min.**  
 $90^{\circ} \pm 1^{\circ}$

## ***Inclinaison vers le haut / vers le bas***

***Pour incliner l'assise vers le HAUT  
ou vers le BAS...***  
*Maintenez enfoncé le bouton approprié.*



***Le déplacement s'arrête lorsque...***  
*La position maximale / minimale est atteinte.*  
*Le bouton de relevage / abaissement est relâché.*



***Max.***  
***30° ± 2°***

A curved double-headed arrow indicating the range of motion between the maximum and minimum positions.

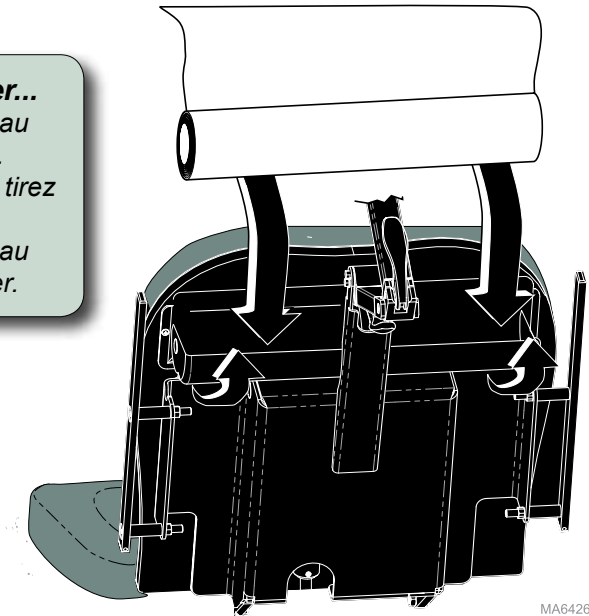
***Min.***  
***0° ± 0,5°***

## **Rouleau de papier**

Taille du rouleau de papier (max.) ..... 45,7 cm de long x 8,9 cm de diamètre  
(18 in. x 3.5 in.)

### **Pour installer le rouleau de papier...**

- A) Faites pivoter le couvercle du rouleau de papier vers l'arrière pour l'ouvrir.
- B) Installez un rouleau de papier, puis tirez le papier sur la table.
- C) Faites pivoter le couvercle du rouleau de papier vers l'avant pour le fermer.



MA642601I

# Étrier



## Attention

Ne jamais utiliser l'étrier pour soulever la table.

Vérifiez que l'étrier est bien en place et bloqué avant de l'utiliser.

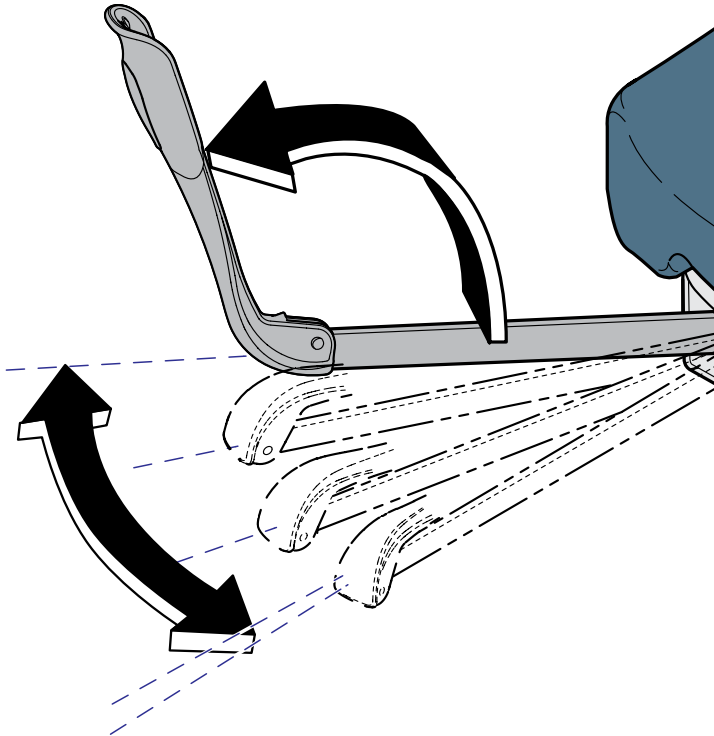
L'étrier ne peut pas supporter le poids du patient, ni une force excessive.

## Pour positionner l'étrier...

A) Tirez l'étrier et déployez-le.

B) Soulevez légèrement l'étrier, puis déplacez-le vers la droite ou la gauche.

C) Relâchez l'étrier pour le bloquer dans la position souhaitée.



MA602500i

## Cuvette

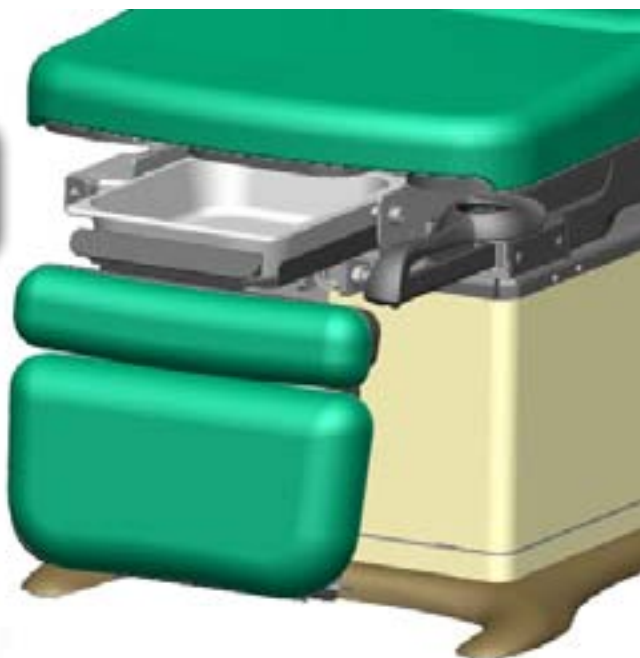
### **Attention !**

**La fonction Relevage des pieds est désactivée lorsque la cuvette est sortie.**  
(Vous entendrez plusieurs « bips » si la fonction Relevage des pieds est activée alors que la cuvette est sortie.)

Pour reprendre la fonction de Relevage des pieds :  
Rentrez complètement la cuvette.  
Appuyez sur le bouton de relevage des pieds.

### **Pour accéder à la cuvette...**

- A) Abaissez le repose-pieds.
- B) Sortez la glissière de la cuvette.



## **Prise de courant double (en option - non disponible sur les modèles en 230 V)**

La prise de courant double permet le branchement des accessoires utilisés lors des interventions. L'alimentation de la prise de courant sera coupée en cas de dépassement de la charge maximale.

**Charge maximale [les deux prises combinées] .....** 115 V CA, 3 A, 50/60 Hz



### **Avertissement relatif à l'équipement**

Le dépassement de la charge maximale de la prise de courant peut faire griller les fusibles. Si cela se produit, toutes les fonctions de la table resteront désactivées tant que les fusibles n'auront pas été remplacés.

[La procédure de remplacement des fusibles est décrite à la page **Alimentation de la table.**]



## Positionnement de la tête



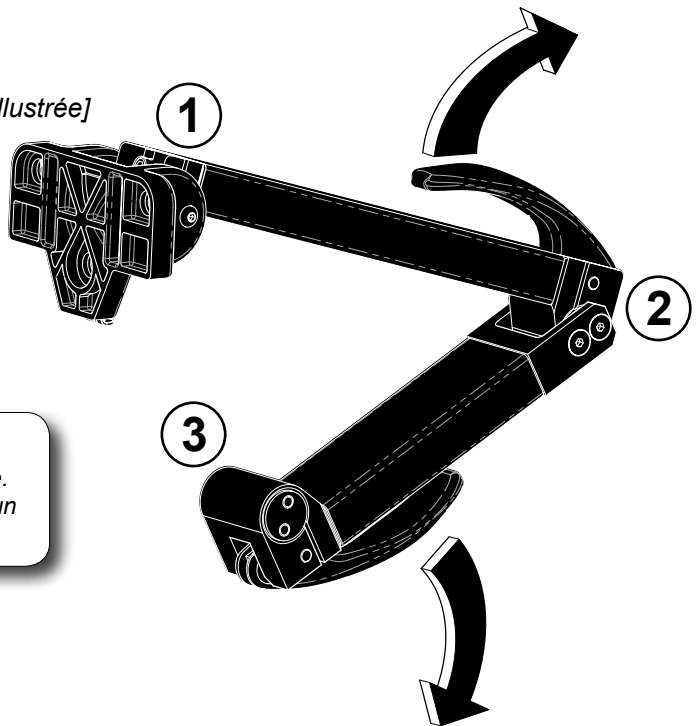
### Attention

Vérifiez que la tête est bien en place et bloquée avant de l'utiliser.

### Pour régler la tête aux points d'articulation 1 et/ou 2...

- A) Tirez la poignée supérieure vers l'extérieur pour déverrouiller.
- B) Déplacez le ou les points d'articulation dans la position souhaitée.
- C) Poussez la poignée supérieure vers l'intérieur pour verrouiller en place.

[Pour plus de clarté,  
la garniture n'est pas illustrée]



### Remarque

La tension de la poignée est réglable.  
Contactez le service après-vente si un réglage est requis.

MA642200i

### Pour régler la tête au point d'articulation 3...

- A) Tirez la poignée inférieure vers l'extérieur pour déverrouiller.
- B) Déplacez le point d'articulation dans la position souhaitée.
- C) Poussez la poignée inférieure vers l'intérieur pour verrouiller en place.



## Position genoux / poitrine



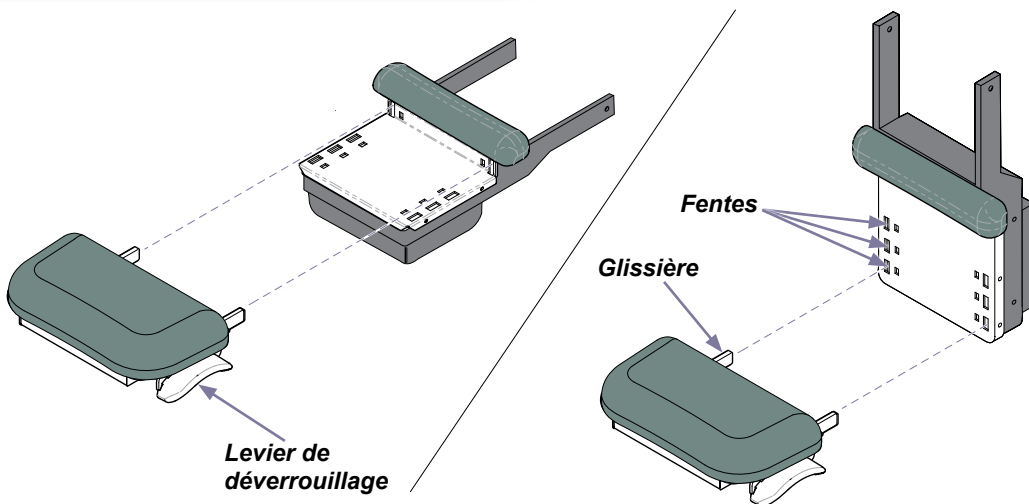
### Attention

Vérifiez que le repose-pieds est bien en place et bloqué avant de l'utiliser.



### Pour retirer le repose-pieds...

- A) Soulevez les leviers de déverrouillage de chaque côté du repose-pieds.
- B) Tirez directement le repose-pieds.



MA6847001

### Pour installer le repose-pieds en position genoux / poitrine...

- A) Abaissez le repose-pieds.
- B) Insérez les glissières du repose-pieds dans les fentes souhaitées.
- C) Vérifiez que le repose-pieds est bien en place et bloqué avant de l'utiliser.

## **Base rotative (en option)**

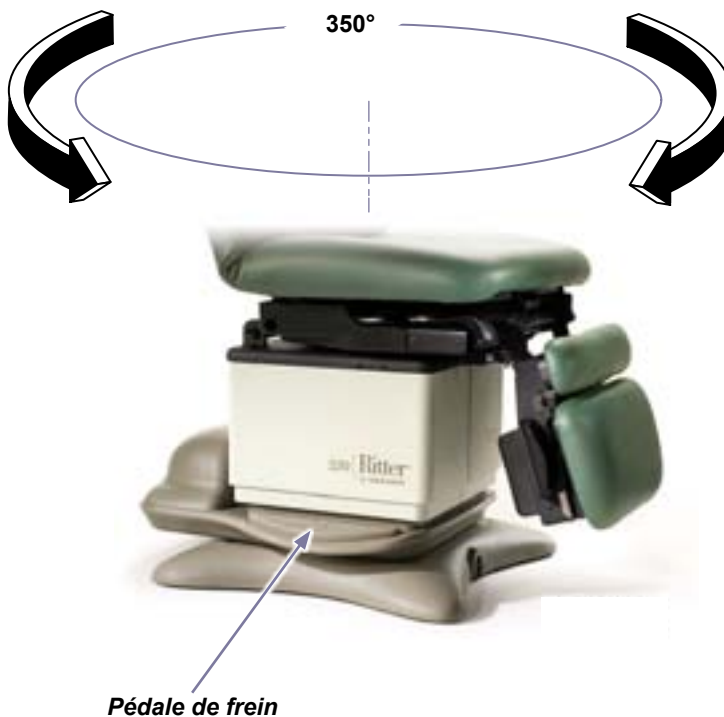
### **Pour faire tourner la base de la table...**

- A) Appuyez et relâchez la pédale de frein.
- B) Faites tourner la table dans la position souhaitée.

### **Pour verrouiller en position...**

- A) Appuyez et relâchez la pédale de frein.

*Remarque : la base se verrouille automatiquement en position au bout de deux minutes.*



# Entretien

## Nettoyage

### Garniture



### **Avertissement relatif à l'équipement**

*La garniture résiste à la plupart des taches d'origine médicale, mais risque d'être endommagée par les solvants et les teintures. Essayez immédiatement tout liquide renversé sur la garniture.*

Nettoyez la garniture toutes les semaines avec un mélange de savon doux liquide et d'eau. Rincez à l'eau claire et séchez complètement afin d'éliminer les résidus de désinfectant.

Désinfectez la garniture avec une solution à base d'un volume d'eau de Javel ou de produits chlorés pour 10 volumes d'eau (10 %). Puis rincez à l'eau claire et séchez soigneusement. Voir les directives de désinfection et de stérilisation dans les centres de santé des centres pour le contrôle des maladies (CDC).

Pour minimiser les dommages provoqués par les résidus de nettoyants désinfectants, empêchez toute accumulation de désinfectant sur la garniture. Lorsque le temps de réaction reconnu s'est écoulé, ôtez et séchez tout excès de liquide restant sur la surface.

Votre produit est livré avec un manuel détaillé d'utilisation et d'entretien. Vous trouverez également toutes les informations utiles sur [www.midmark.com](http://www.midmark.com) à la rubrique Bibliothèque technique, au niveau de l'onglet Documents correspondant à votre produit.

### **Surfaces en plastique / peintes**

Essuyez les surfaces en métal et en plastique peintes selon le besoin à l'aide d'un chiffon doux propre et d'un détergent doux.

## Entretien préventif

Examinez périodiquement les éléments suivants :

- Le cordon d'alimentation ne doit présenter aucune coupure ni aucun autre dommage visible.
- Toutes les fixations doivent être en place et bien attachées.
- Tous les dispositifs mécaniques doivent fonctionner correctement.

Faites vérifier votre équipement chaque année par un technicien qualifié.

## Service après-vente

**[Le numéro de série du produit est requis]**



Contactez votre revendeur Midmark, ou consultez le site [www.midmark.com](http://www.midmark.com) pour obtenir les coordonnées du service après-vente le plus proche.

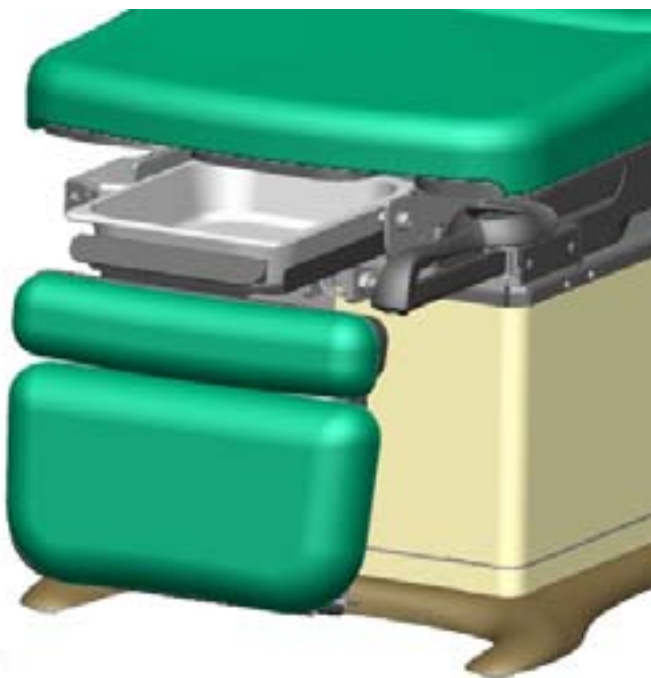
Pour contacter Midmark directement :

1-937-526-3662 de 8 h à 17 h. Du lundi au vendredi (heure normale de l'Est des États-Unis)  
[sauf les jours fériés américains ordinaires]

# Dépannage

## Pas de fonction de relevage des pieds

<i>Fonction</i>	<i>État</i>	<i>Problème</i>	<i>Action corrective</i>
Relevage des pieds		Aucun déplacement (« bips »)	Rentrez la cuvette.
Toutes les autres fonctions		OK	–



# Caractéristiques techniques

## Poids, dimensions, caractéristiques électriques

<b>Poids du patient (maximal) :</b>	204,1 kg (450 lbs)
<b>Rouleau de papier (taille maximale) :</b>	45,7 cm de long x 8,9 cm de diamètre (18 in. x 3.5 in.)
<b>Amplitude de déplacement et dimensions :</b>	[Voir la page <i>Amplitude de déplacement et dimensions</i> ]
<b>Poids de la table :</b> <b>230 (avec base standard)</b> avec emballage et palette <b>230 (avec base rotative)</b> avec emballage et palette	206,4 kg (455 lbs) 231,3 kg (510 lbs) 244,9 kg (540 lbs) 271,1 kg (600 lbs)
<b>Cordon d'alimentation :</b>	243,8 cm (8 ft) de long
<b>Alimentation électrique :</b>	[Voir les tableaux de conformité à la réglementation]
<b>Alimentation de la pédale de commande :</b>	10 V CA, SELV (Tension de sécurité extra-basse)
<b>Prise de courant double (en option)</b> <b>Charge maximale :</b>	115 V CA, 3 A, 50/60 Hz
<b>Fusibles :</b> <i>Situés à l'entrée du cordon d'alimentation :</i> <i>F1 et F2</i>	6,3 A, 250 V, type T, 5 x 20 mm
<b>Cycle d'utilisation</b> <b>(cycle du moteur) :</b>	Fonctionnement par intermittence [30 secondes en MARCHE / 5 minutes d'ARRÊT]
<b>Classifications :</b>	Classe 1, partie appliquée sur le patient de type B
<b>Protection contre la pénétration de liquides :</b> <i>Pédale de commande <u>uniquement</u> :</i>	Équipement ordinaire IPX1
<b>Conformité à la réglementation :</b>	[Voir le tableau de conformité à la réglementation]



### AVERTISSEMENT

L'équipement ne doit pas être utilisé à proximité d'un mélange anesthésique inflammable.

## Identification du modèle / Tableau de conformité

Modèle	Description	Préfixe du numéro de série	Conforme aux normes :				Alimentation électrique :		
			UL 60601-1	CAN / CSA 22.2, n° 601.1-M90	CEI 60601-1	EN 60601-1-2 (CEM)	V CA +/-10 %	Intensité	Cycles (Hz)
230-001	Table d'intervention Ritter Midmark (non programmable)	V	X	X	X	X	Configurable 115 230	7 3,5	50 / 60
230-002	Table d'intervention Ritter Midmark (non programmable) avec prise de courant	V	X	X	X	X	115	10	50 / 60
230-003	Table d'intervention Ritter Midmark (non programmable) avec base rotative	V	X	X	X	X	Configurable 115 230	7,5 3,8	50 / 60

## Amplitude de déplacement et dimensions



**Max.**

Base standard : 101,6 cm (40 in.)

Base rotative : 110,5 cm (43.5 in.)

**Min.**

Base standard : 57 cm (22.5 in.)

Base rotative : 66 cm (26 in.)



**Max.**  
30° ±2°



**Min.**  
0° ±0,5°

**Max.**  
85° ±3°



**Min.**  
0° ±0,5°

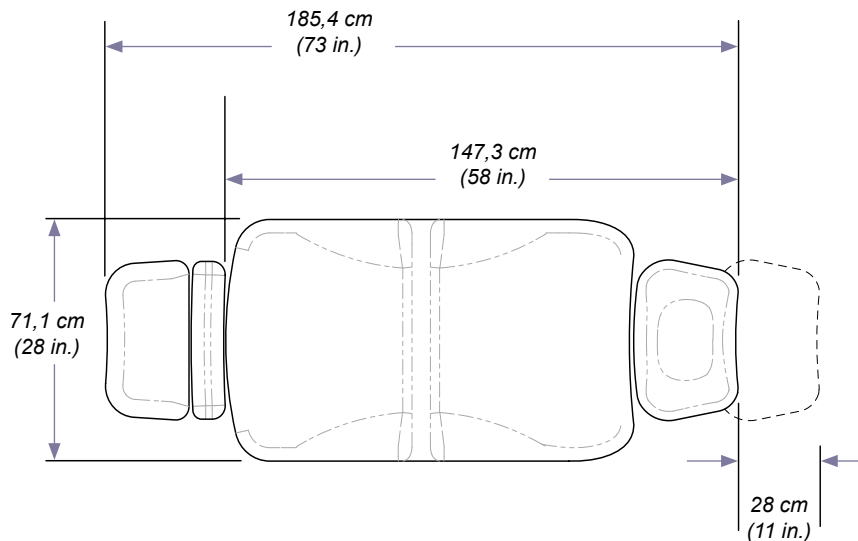


**Max.**  
0° ±0,5°



**Min.**  
90° ±1°

## Amplitude de déplacement et dimensions – (suite)

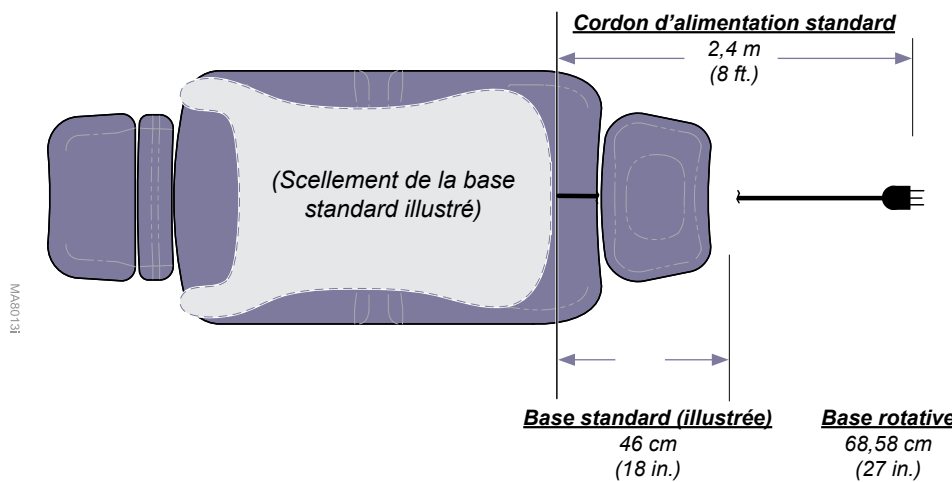


### Cordon d'alimentation en option

91 cm  
(3 ft.)

### Cordon d'alimentation standard

2,4 m  
(8 ft.)



### Base standard (illustrée)

46 cm  
(18 in.)

### Base rotative

68,58 cm  
(27 in.)



# Renseignements sur la garantie

CADRE DE GARANTIE Midmark Corporation (« Midmark ») s'engage auprès de l'acquéreur initial à réparer ou à remplacer, au gré de Midmark, les produits médicaux locaux et internationaux fabriqués par Midmark (hormis les composants non garantis en vertu des « Exclusions ») qui sont défectueux au niveau du matériel ou de la qualité d'exécution dans des conditions normales d'utilisation et de service. Le seul recours admissible aux termes de la présente garantie limitée est la réparation ou le remplacement des composants concernés, au gré de Midmark. La présente garantie limitée ne s'applique qu'aux défauts signalés à Midmark durant la période de garantie applicable et dont Midmark détermine après examen qu'ils existent. La présente garantie s'étend au seul acquéreur initial d'un produit et n'est ni transférable, ni cessible. Des composants ou produits de remplacement peuvent être utilisés, ou encore des composants ou produits rénovés, à condition qu'ils présentent une qualité et des spécifications identiques à celles des composants ou produits neufs.

Midmark s'engage auprès de l'acquéreur initial à réparer ou remplacer les logiciels contenus dans les produits fabriqués par Midmark (hormis ceux non garantis en vertu des « Exclusions ») pendant la période de garantie applicable si : (1) le support sur lequel le logiciel est fourni présente des défauts matériels ou d'exécution dans des conditions normales d'utilisation ; ou (2) le logiciel n'est pas fondamentalement conforme aux spécifications annoncées.

**PÉRIODE DE GARANTIE APPLICABLE** La période de garantie applicable est d'un (1) an pour tous les produits et composants couverts par la garantie, à compter de la date de facturation à l'acheteur au détail initial du produit.

**OBTENTION DU SERVICE DE GARANTIE** Le service de garantie doit être mis en œuvre par Midmark ou un distributeur agréé de la ligne de produits de Midmark pour laquelle le service de garantie est requis. Les demandes ou questions liées au service de garantie Midmark peuvent être adressées par courrier électronique sur [www.midmark.com](http://www.midmark.com) ou par téléphone au +1-937-526-3662 ou par courrier à Midmark Corporation, 60 Vista Drive, Versailles, Ohio 45380. L'acquéreur a l'obligation de prendre ses dispositions auprès de Midmark ou de tout revendeur agréé pour mettre en place un service de garantie, service qui est à la charge de l'acquéreur. L'acquéreur est également dans l'obligation de se conformer aux instructions du service de garantie fourni par Midmark ou son distributeur agréé. L'acquéreur doit fournir à Midmark les renseignements relatifs à l'enregistrement de la garantie dans les trente (30) jours consécutifs à l'achat afin de pouvoir jouir de la garantie.

**EXCLUSIONS** : Midmark ne peut être tenu pour responsable des cas suivants, qui ne sont pas couverts par la garantie limitée :

- (1) les malfaçons, dommages ou autres conditions provoquées, en tout ou en partie, par une utilisation abusive ou incorrecte, une négligence, une modification, un accident, des dommages subis pendant le transport, une négligence dans l'entreposage, une altération ou une demande de réparation ou de remplacement hors délais ;
- (2) les produits qui ne sont pas installés, utilisés, nettoyés et entretenus correctement tel qu'exigé ou recommandé dans les guides « Installation » ou « Installation/Fonctionnement » de Midmark pour le produit concerné, y compris les conditions environnementales structurelles et opérationnelles et les exigences électriques ;
- (3) les produits considérés comme étant de nature consommable ou stérile ;
- (4) les accessoires ou pièces n'étant pas fabriqués par Midmark ;
- (5) les frais appliqués par quiconque pour des réglages, des réparations, des pièces de remplacement, l'installation ou toute autre tâche accomplie sur ou en rapport avec lesdits produits, qui ne sont pas expressément autorisés au préalable et par écrit par Midmark ;
- (6) les frais d'entretien et de nettoyage ordinaires ; et
- (7) les représentations et garanties données par toute autre personne ou entité que Midmark.
- (8) la correspondance de couleur, de grain ou de texture, hormis selon les normes commerciales acceptables ;
- (9) les changements de couleur causés par la lumière naturelle ou artificielle ;
- (10) les produits de fabrication sur mesure ;
- (11) les altérations ou modifications au produit par toute personne ou entité autre que Midmark ; et
- (12) les produits qui seraient sinon couverts par cette garantie limitée, mais qui ont été acquis : (i) auprès d'une personne ou d'un organisme autre que Midmark ou l'un de ses revendeurs agréés ; ou (ii) auprès d'un revendeur Midmark non autorisé à vendre le produit en cause sur le territoire géographique où se trouve l'acheteur ou non autorisé à vendre le produit en cause sur le marché médical.

**LOGICIEL ; EN LIEN AVEC UN LOGICIEL QUI EST UN PRODUIT OU UN COMPOSANT D'UN PRODUIT, MIDMARK NE GARANTIT PAS QUE LE LOGICIEL : (1) EST EXEMPT D'ERREURS ; (2) PEUT ÊTRE UTILISÉ SANS PROBLÈME OU INTERRUPTION ; OU (3) EST EXEMPT DE VULNÉRABILITÉS AUX INTRUSIONS OU ATTAQUES DE VIRUS OU AUTRES PROCÉDÉS.**

**RECOURS EXCLUSIF ; AVIS DE NON-RESPONSABILITÉ POUR LES DOMMAGES INDIRECTS ; L'UNIQUE OBLIGATION DE MIDMARK DANS LE CADRE DE CETTE GARANTIE LIMITÉE EST LA RÉPARATION OU LE REMPLACEMENT DES PIÈCES DÉFECTUEUSES. MIDMARK NE PEUT ÊTRE TENU POUR RESPONSABLE ET DÉCLINE PAR LA PRÉSENTE TOUTE RESPONSABILITÉ POUR TOUT RETARD OU DOMMAGE DIRECT, PARTICULIER, INDIRECT, ACCIDENTEL, EXEMPLAIRE OU CONSÉCUTIF, Y COMPRIS, SANS S'Y LIMITER, LES DOMMAGES RELATIFS À UNE PERTE DE BÉNÉFICE OU DE REVENU, UNE PERTE D'USAGE, UNE PERTE DE DONNÉES, UN TEMPS D'INDISPONIBILITÉ, UNE COUVERTURE ET LES SALAIRES, PAIEMENTS ET AVANTAGES SOCIAUX D'EMPLOYÉS OU D'ENTREPRENEURS INDÉPENDANTS. CETTE EXCLUSION SURVIVRA À TOUT MANQUEMENT OU MANQUEMENT ALLÉGUÉ AU BUT ESSENTIEL DE CETTE GARANTIE LIMITÉE OU À SES RECOURS PRÉVUS. EXCLUSION DE GARANTIE : CETTE GARANTIE EST LA SEULE GARANTIE DE MIDMARK ET REMPLACE TOUTES LES AUTRES GARANTIES EXPLICITES OU IMPLICITES. MIDMARK N'ACCORDE AUCUNE GARANTIE IMPLICITE D'AUCUNE SORTE, Y COMPRIS LES GARANTIES IMPLICITES DE COMMERCIALISATION OU D'ADAPTATION POUR UNE UTILISATION PARTICULIÈRE. CETTE GARANTIE EST LIMITÉE À LA RÉPARATION OU AU REMPLACEMENT DE PIÈCES DÉFECTUEUSES.**

**PRESCRIPTION** Aucune action ne peut être portée contre Midmark pour violation de la présente garantie limitée, d'une garantie implicite, le cas échéant, ou pour toute autre revendication découlant de ou relative aux produits, plus de quatre-vingt-dix (90) jours après expiration de la période de garantie limitée.

**AUCUNE AUTORISATION** Aucune personne ou société n'est autorisée à créer ou approuver d'autres obligations ou responsabilités pour Midmark en rapport avec les produits.

**Remarques :**

**Remarques :**

Midmark Corporation  
60 Vista Drive  
Versailles, OH 45380-0286  
Téléphone : 937-526-3662  
Fax : 937-526-5542

[www.midmark.com](http://www.midmark.com)

003-1500-99



Because we care.