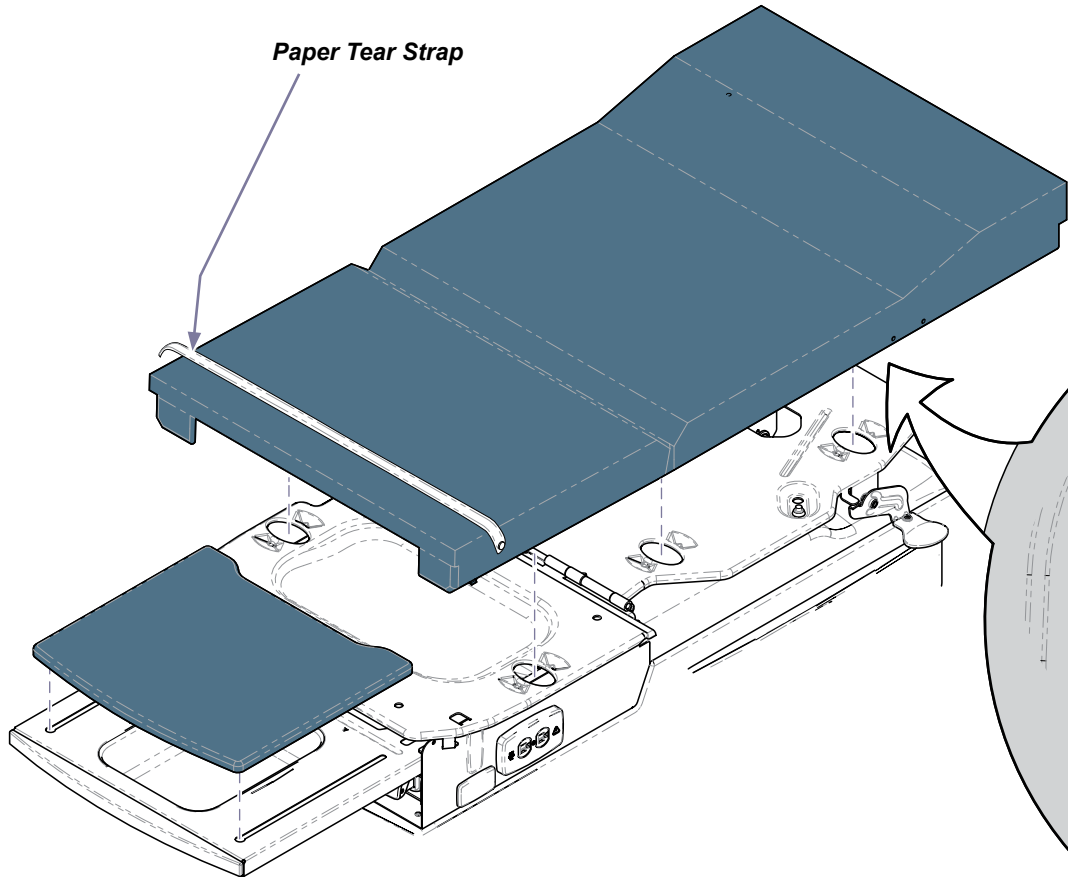


Upholstery Installation (Ritter)

Applies to Models:
204 (all)
222 (-015 thru -017)
223 (-015 & -016)

Language of origin: English

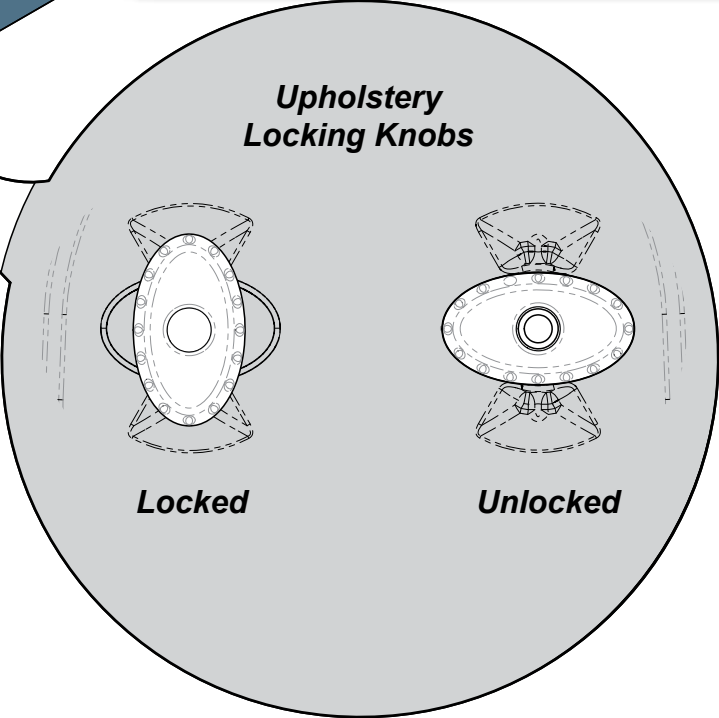


Equipment Alert

Be sure paper roll rod has been removed from the seat / back hinge before installing upholstery top.

To install seat / back upholstery...

- A) Position upholstery so that locking knobs align with holes in mounting plates.
- B) Turn all locking knobs to LOCKED position.



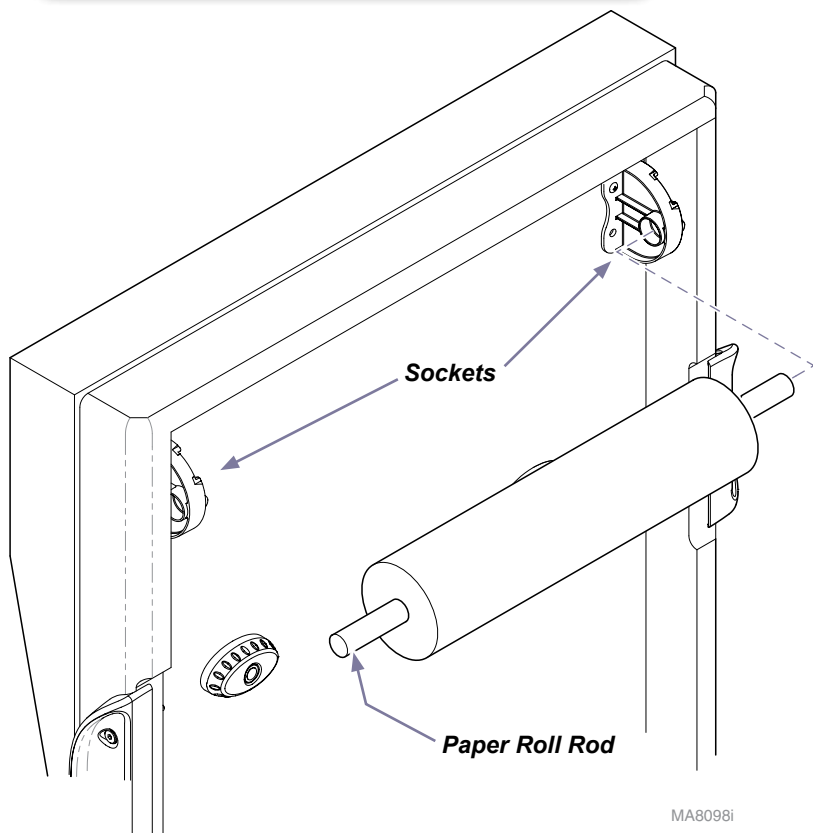
To install footrest pad...
A) Extend footrest shelf.
B) Place footrest glides in shelf slots.

MA8096i

To install paper roll rod...

- A) Slide paper roll onto rod.
- B) Insert one end of rod into socket.
- C) Insert other end of rod into opposite socket.

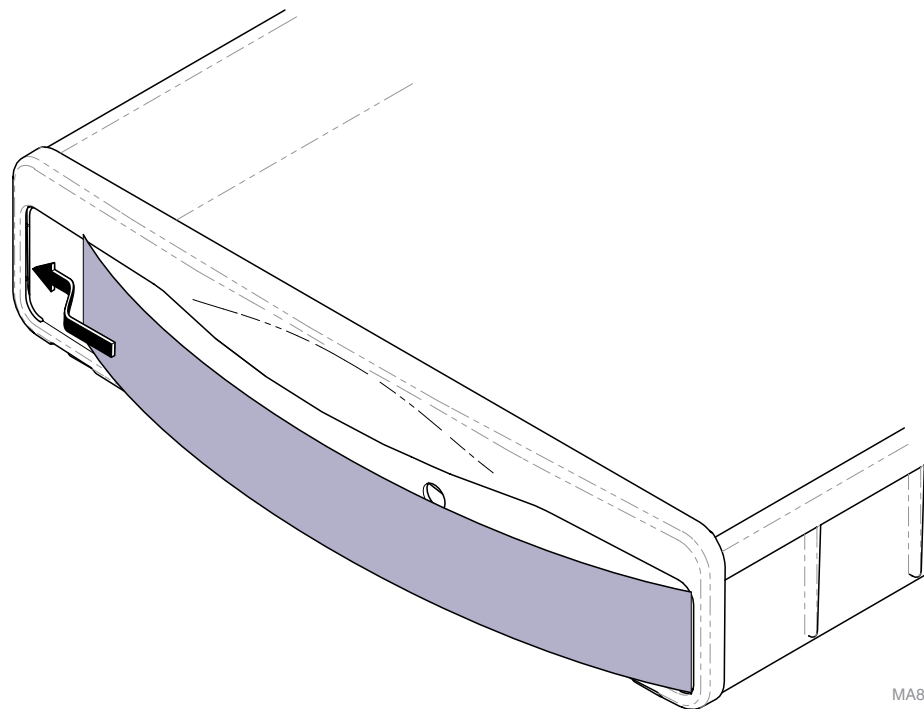
Note: The "Soft Touch"-style upholstery is shown.
The procedure for other upholstery styles is similar.



204 Models only:

To install color inserts onto drawer fronts...

- A) Insert one end of color insert into slot on drawer front.
- B) Bend insert, then slide other end into opposite slot.



Because we care.