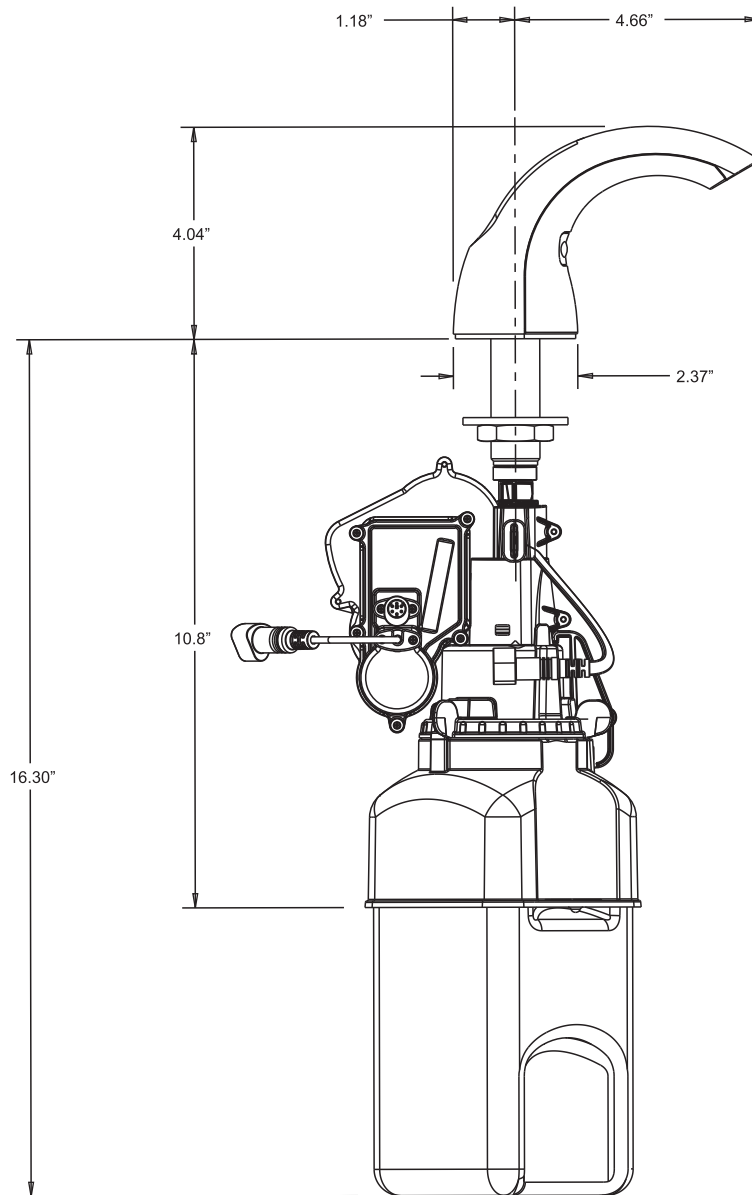


PURELL® CXI™ TOUCH FREE COUNTER MOUNT DISPENSER DIMENSIONS

8520-01

Use the dimensions provided to ensure proper fit and placement of your counter mount dispenser and energy options.



Side View



GOJO Industries, Inc.
One GOJO Plaza, Suite 500
P.O. Box 991 • Akron, OH 44309-0991
Tel: 1-330-255-6000 • Toll-free: 1-800-321-9647
Fax: 1-800-FAX-GOJO

©2018. GOJO Industries, Inc. All rights reserved.

#26386