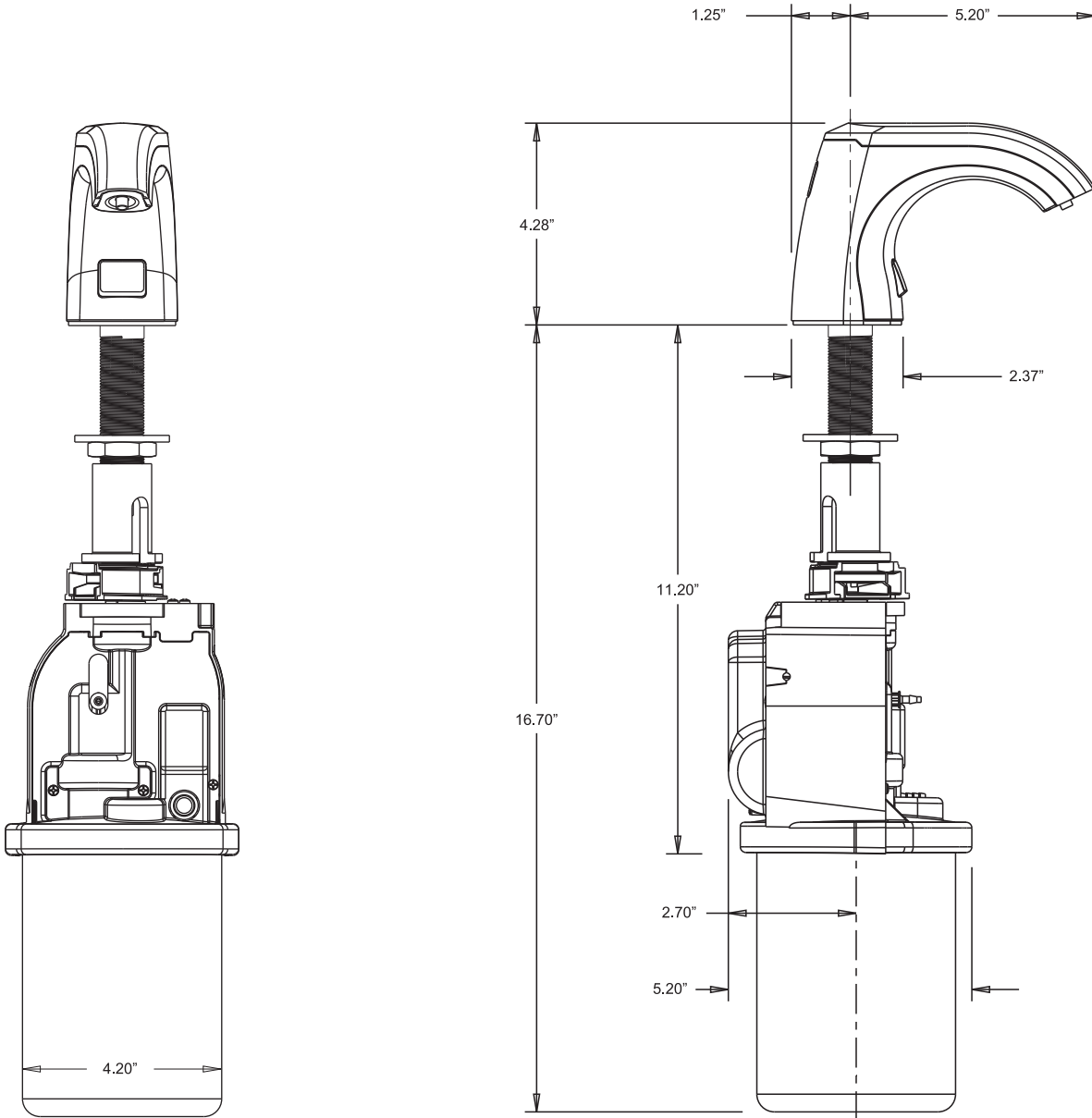


PURELL CXR REDIFOAM™ DISPENSING FIXTURE - 1000mL DIMENSIONS

8646-01

Use the dimensions provided to ensure proper fit and placement of your counter mount dispensing fixture and energy options.



Front View

Side View



GOJO Industries, Inc.
One GOJO Plaza, Suite 500
P.O. Box 991 • Akron, OH 44309-0991
Tel: 1-330-255-6000, • Toll-free: 1-800-321-9647
Fax: 1-800-FAX-GOJO