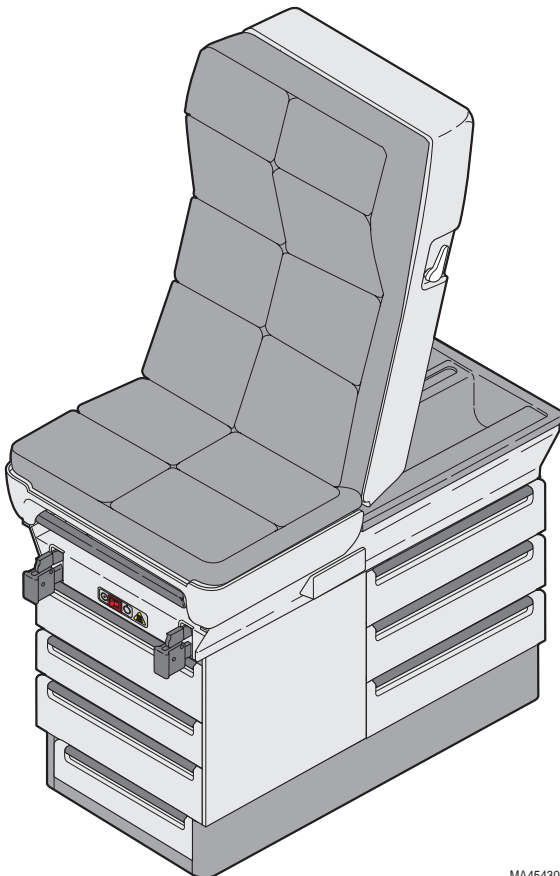


MIDMARK®



Installation and Operation Manual

404 Examination Table



**Important
Information**
Page 2

Installation
Page 4

Description
Page 7

**Components
Overview**
Page 9

**Controls &
Indicators**
Page 10

Operation
Page 12

**Operator
Maintenance**
Page 18

**Calling For
Service**
Page 21

Specifications
Page 21

**Limited
Warranty**
Page 22

Owner's Product Identification

(information that you will need to provide for servicing - key information is highlighted)

Date of Purchase

Serial Number

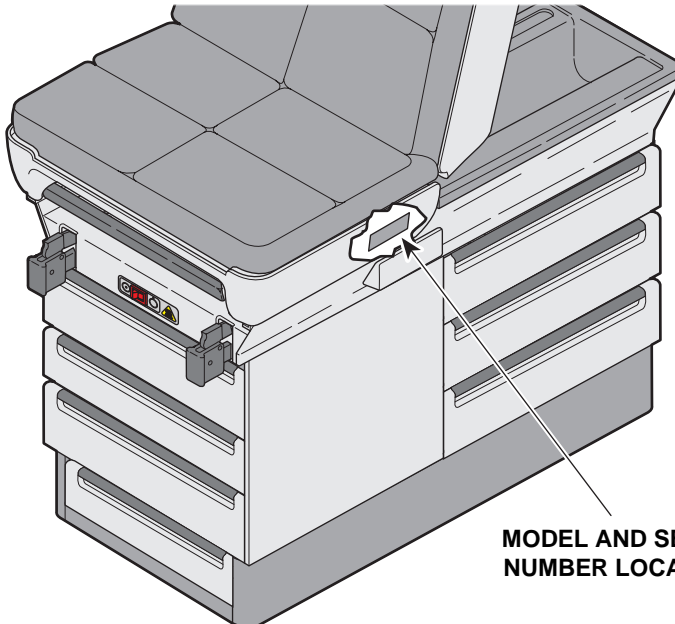
Name of Owner / Facility / Department

Model Number

Name of Authorized Midmark Dealer

Telephone # of Authorized Midmark Dealer

Address of Authorized Midmark Dealer



**MODEL AND SERIAL
NUMBER LOCATION**

CONTENTS

IMPORTANT INFORMATION	2
Scope and Purpose of This Manual	2
Intended Use of Product.....	2
Authorized CE Representative	2
Safety Instructions.....	2
Explanation of Safety Symbols and Notes	2
Transportation and Storage Conditions	3
INSTALLATION.....	4
Unpacking	4
Leveling The Table	5
Electrical Requirements	5
Installing Paper Retaining Straps and Upholstered Top.....	6
Installing Paper Roll Dowel Rod	7
Electromagnetic Interference	7
DESCRIPTION.....	7
Introduction.....	7
Features	8
COMPONENTS OVERVIEW	9
CONTROLS & INDICATORS	10
OPERATION	12
Back Section Positioning	12
Stirrups Positioning	13
Footstep	14
Footrest	14
Treatment Pan	15
Paper Roll.....	15
Pelvic Lift	16
Drawer Heater	16
List of Authorized Accessories	17
Patient Positioning.....	18
OPERATOR MAINTENANCE	18
Preventive Maintenance	18
Cleaning	18
Fuse Replacement	19
CALLING FOR SERVICE	21
SPECIFICATIONS	21
LIMITED WARRANTY.....	22

IMPORTANT INFORMATION

Scope and Purpose of This Manual

This manual covers complete instructions for the installation, operation, and normal care of the 404 Medical Examination Table. It is intended that this manual be used by any medical personnel responsible for operating the examination table during a medical procedure or performing operator level maintenance.

Intended Use of Product

This product is intended to be used as either a chair or table to provide positioning and support of patients during general examinations and procedures conducted by qualified medical professionals.

Authorized CE Representative

For countries in the CE union, any questions, incidents, or complaints must be directed to Midmark's Authorized CE representative listed below:

Promotal
22, Rue De St. Denis
53500 Ernee,
FRANCE
Phone: 33-2-430-517-76
Fax: 33-2-430-569-10

Safety Instructions

The primary concern of Midmark is that this equipment is operated and maintained with the safety of the patient and staff in mind. To assure safer and more reliable operation:

- Read and understand this manual before attempting to install or operate the table.
- Assure that appropriate personnel are informed on the contents of this manual; this is the responsibility of the purchaser.
- Assure that this manual is located near the table, or if possible, permanently affixed to the table.

Explanation of Safety Symbols and Notes



DANGER

Indicates an imminently hazardous situation which, if not avoided, will result in death or serious injury. The DANGER symbol is limited to the most extreme situations.



WARNING

Indicates a potentially hazardous situation which, if not avoided, could result in death or serious injury.



CAUTION

Indicates a potentially hazardous situation which, if not avoided, may result in minor or moderate injury. It may also be used to alert against unsafe practices.



EQUIPMENT ALERT

Indicates an imminently or potentially hazardous situation which, if not avoided, will or may result in serious, moderate, or minor equipment damage.

NOTE

Amplifies an operating procedure, practice, or condition.



Indicates that the unit is rated: Type B, Applied Part.



Indicates that operator's manual should be consulted for important information.



Indicates the presence of a dangerous voltage / shock hazard.



Indicates a fuse rating specification.



Indicates that table must not be lifted by stirrups or damage to stirrups will result.



Indicates a protective earth ground.



Indicates that product is fragile; do not handle roughly.



Indicates proper shipping orientation for the product.



Indicates that product must be kept dry.



Indicates a hot surface.



Indicates device is in ON position.



Indicates device is in OFF position.

Transportation and Storage Conditions

- Ambient Temperature Range:..... -30°C to +60°C (-22°F to 140°F)
- Relative Humidity 10% to 90% (non-condensing)
- Atmospheric Pressure 500hPa to 1060 hPa (0.5 bar to 1.06 bars)

INSTALLATION

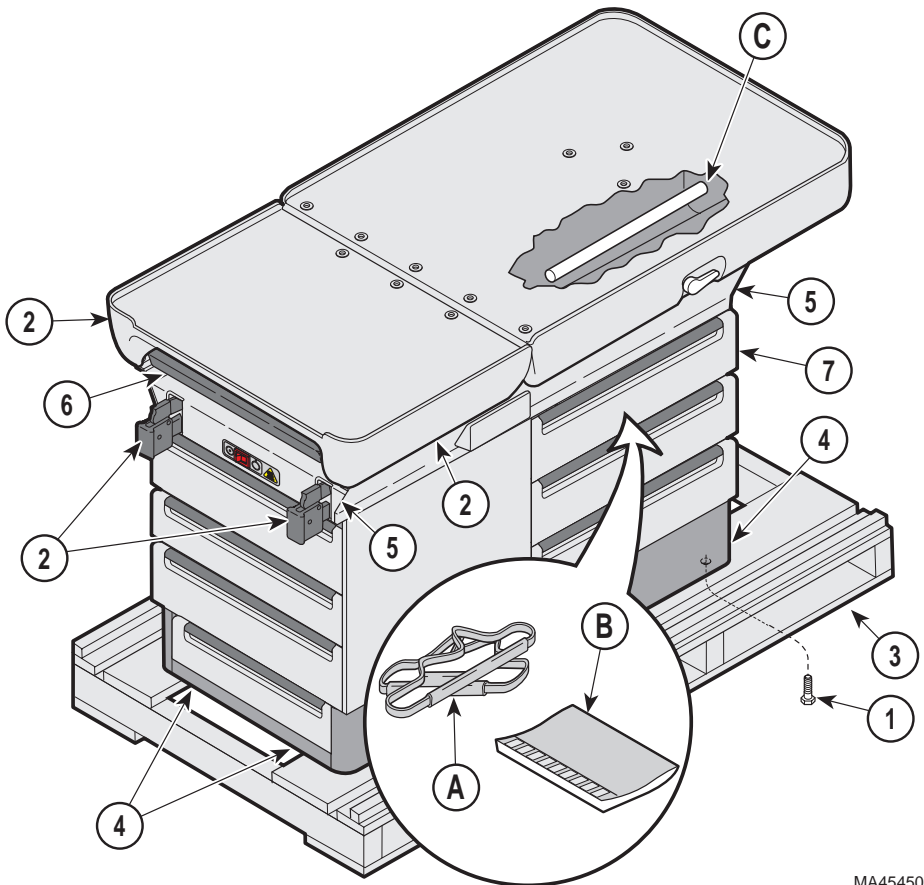
Unpacking



EQUIPMENT ALERT

To avoid damaging the table's table top or side panels, do not use a knife or other sharp object to open the table's packaging. Also, to avoid damaging table, do not lift at points (2).

Carefully remove packaging from table and then inspect table for any shipping damage. Report any damage to the shipping company and fill out a concealed damage report.



MA454500

Using 1/2 in open end wrench or socket, unbolt table from wooden shipping skid

by removing two bolts (1) from the underside of table's base; one is located on each corner of the table.



WARNING

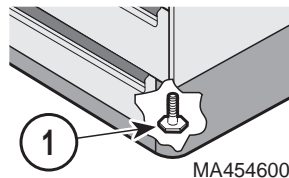
The table weighs approximately 132.0 kgs (290.0 lbs). Get an assistant to help remove table from shipping skid. Also, use proper lifting techniques when lifting table. Failure to do so could result in serious back injury.

After unbolting, remove table from shipping skid (3), lifting at points (4 or 5). **Do not** lift at points (2); these are unsupported areas. Position table in room as desired.

Remove packing tape from stirrups. Pull out foot extension (6) and remove packing tape from foot extension and treatment pan components. Return foot extension (6) to its stowed position. Remove paper retaining straps (A) and Installation & Operation Manual (B) from top, side drawer (7). Remove paper roll dowel rod (C) from paper roll holder.

Leveling The Table

A leveling screw pad (1) is located under each corner of the table's base. Adjust the four leveling screw pads (1) up or down (by turning them) until a solid, level installation is achieved.



Electrical Requirements



WARNING

All exposed metal parts of table are electrically grounded. When performing a cauterization or similar treatment, the patient must be insulated from metal portions of table by nonconductive material. Failure to do so could result in electrical shock or burns to patient.

Use 220-240 \pm 6% VAC, 50/60 HZ only. Failure to do so could result in electrical shock to personnel and will result in damage to table.

The electrical rating for the Model 404 Medical Examination table is 220-240 \pm 6% VAC, 50/60 Hz, 5.0 amps. The table must be connected to a branch circuit with a capacity of 5.0 amps in accordance with local and national electrical codes. To prevent possible shock, table must be grounded properly and tested. The product is protected from overload by two externally accessible fuses (see fuse replacement in this manual). The single table power cord provides power for all electrical functions of table, including receptacle and drawer heater (optional).

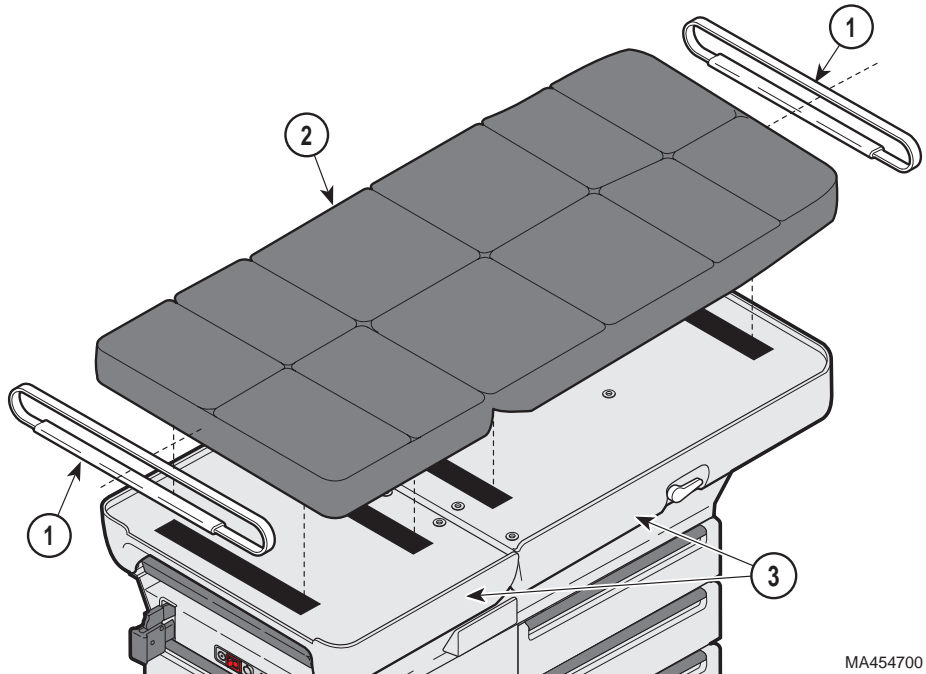
Installing Paper Retaining Straps and Upholstered Top

Installation

NOTE

The retaining straps may have to be stretched in order for them to be installed. The material will recover, becoming taut again after installation.

Two retaining straps (1) are shipped in treatment pan. **To install retaining straps (1)**, position both retaining straps on upholstered top (2) as shown, making sure elastic portion of strap is facing toward rear of the upholstered top.

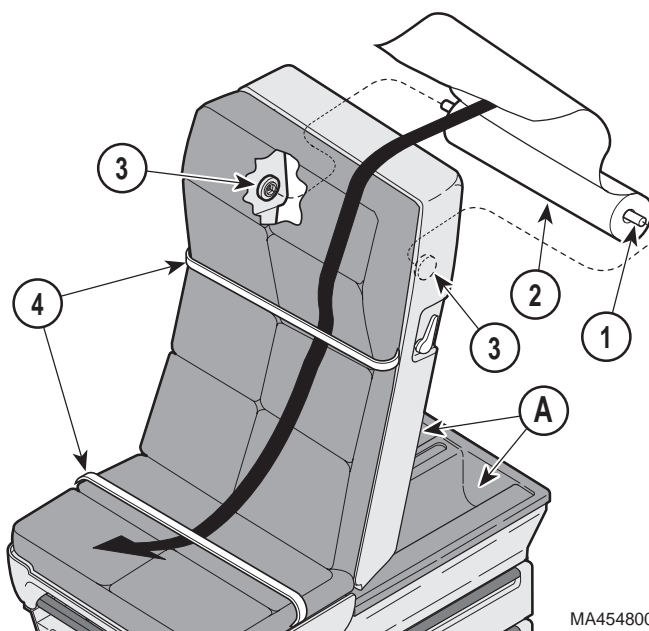


MA454700

The upholstery for table is supplied in a separate box. Remove upholstery from packaging and inspect it for damage. **To install upholstered top (2)**, simply install retaining straps and then position upholstered top on table top (3), pressing firmly into place.

Installing Paper Roll Dowel Rod

A dowel rod (1) for supporting up to a 53.3 cm x 8.9 cm (21 in. x 3.5 in.) diameter paper roll (2) is shipped in one of two paper roll storage bins (A). **To install paper roll dowel rod (1)**, raise back section upward, slip dowel rod through paper roll (2), and then place the dowel rod ends in support sockets (3), located on the rear side of table's back section.



Feed paper under both retaining straps (4); new paper may now be pulled out quickly and easily for each patient. **Two additional** paper rolls may be stored on table; one in each paper roll storage bin (A).

Electromagnetic Interference

This product is designed and built to minimize electromagnetic interference with other devices, however, if interference is noticed between another device and this product, remove interfering device from room or plug this product into an isolated circuit.

DESCRIPTION

Introduction

The 404 Medical Examination Table is primarily used in examination rooms for general examinations. The table top is a fixed height table with an adjustable back section. Also, when supported with pelvic lift bar, the lithotomy position can be achieved. There are six storage drawers which accommodate supplies used during examinations.

The 220-240 VAC Model 404 comes in the following configurations:

- 220-240 VAC R.H. exam table with removable top (404-011)
- 220-240 VAC L.H. exam table with removable top (404-012)

Features

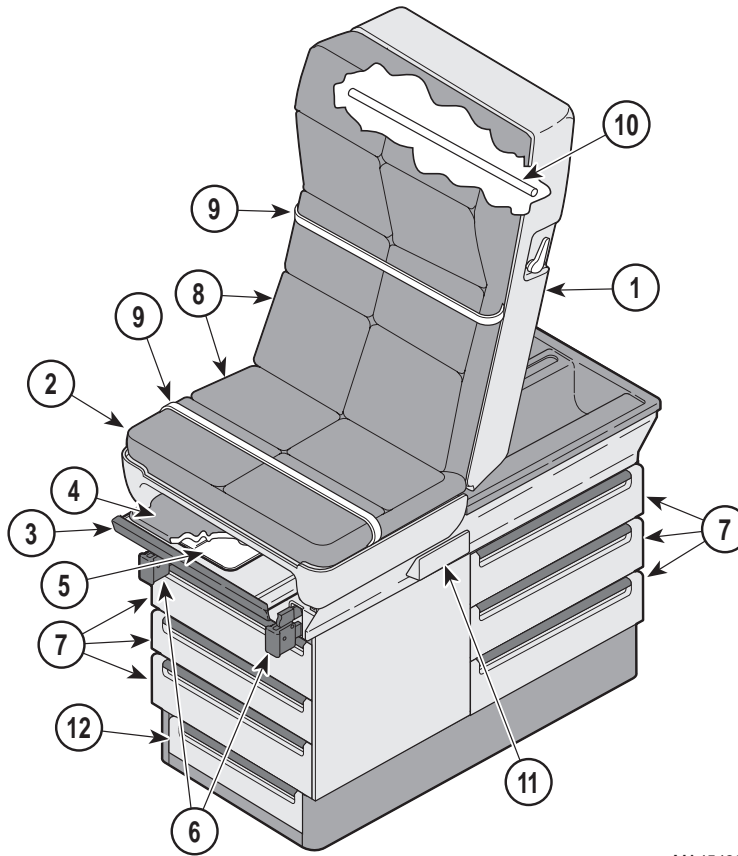
The Model 404 Medical Examination Table has . . .

- a manually adjustable back section which is adjustable from a full horizontal position to a chair position.
- an **optional** 50 WATT drawer heater, located in top drawer at foot end of table, which warms contents of drawer up to body temperature which is approximately 95°F (35°C).
- a pelvic lift bar allowing seat section to be positioned in Lithotomy position (+5° from horizontal).
- an extendable, self-locking steel step with a non-skid surface. The step extends from the foot end of the table to assist patient entry and exit.
- an extendable footrest shelf which includes a positionable upholstered pad (7° tilt) and a removable treatment pan.
- right and left stirrups which can be extended to an infinite number of positions (up to 35.5 cm / 14 in.) as well as laterally in four positions.
- six storage drawers; three drawers on foot end of table and three drawers on either right or left side of table (selected at time of purchase).
- drawer fronts which have molded hand pulls and come with snap-in color inserts.
- one country specific receptacle, located on left side of table, near foot end.
- four leveling feet (one on each corner) to ensure a solid, level installation.
- an upholstery top which is removable without use of tools.
- a paper roll holder which is hidden in head end of the table and tear strips, located at foot end and head end of upholstered top, to secure examination paper during a patient examination or procedure. The paper roll holder can support up to a 53.3 cm x 8.9 cm (21 in. x 3.5 in.) diameter paper roll.

Description

COMPONENTS OVERVIEW

The illustration below shows the location of the table's major components and the chart below provides their descriptive name.



MA454900

DESCRIPTION OF COMPONENTS

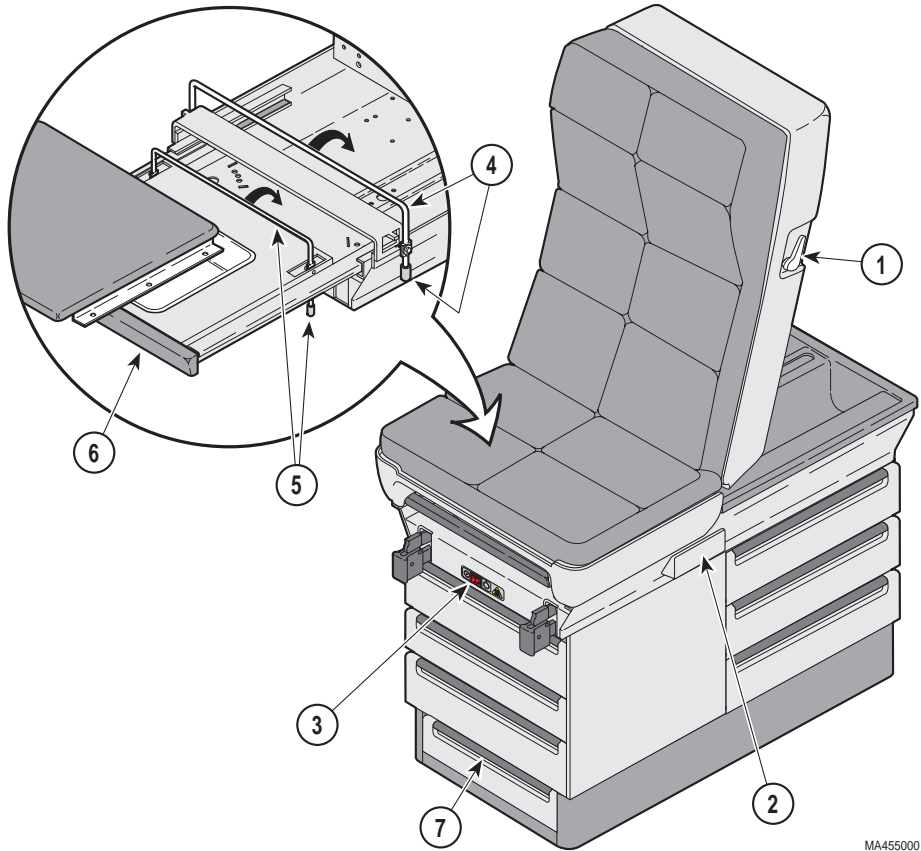
1. Back Section (adjustable)	7. Storage Drawers
2. Seat Section (adjustable)	8. Upholstered Top
3. Footrest Extension (extendable)	9. Paper Retaining Straps
4. Footrest Pad (removable)	10. Paper Roll Dowel Rod
5. Treatment Irrigation Pan	11. Electrical Receptacle
6. Stirrups	12. Foot Step (Extendable)

Description

Components
Overview

CONTROLS & INDICATORS

The illustration below shows the location of the table's controls and indicators and the chart below describes their function.



MA455000

Controls & Indicators

Ref.	Control	Function
1	<i>release handle</i>	<i>used to release the back section so it may be raised or lowered.</i>
2	<i>receptacle</i>	<i>provide power to accessories and / or instruments used during an examination.</i>
3	<i>heater on / off switch</i>	<i>turns the drawer warmer heater "on" or "off". The switch illuminates to indicate that the heater is operating. When turned to "on", contents of top, foot end drawer are warmed up to approximately body temperature.</i>

Ref.	Control	Function
4	<i>pelvic lift handle</i>	<i>automatically supports seat section in pelvic lift position when seat section is raised. Is used to lower pelvic lift support bar when it is desired to return seat section to horizontal position.</i>
5	<i>footrest lift handle</i>	<i>automatically supports footrest pad in tilted position when footrest pad is raised. Handle is used to lower footrest lift bar when it is desired to return footrest pad to horizontal position.</i>
6	<i>footrest extension handle</i>	<i>used to pull footrest extension outward and position.</i>
7	<i>footstep handle</i>	<i>used to pull footstep outward to extended position for use.</i>

Controls & Indicators

OPERATION



WARNING

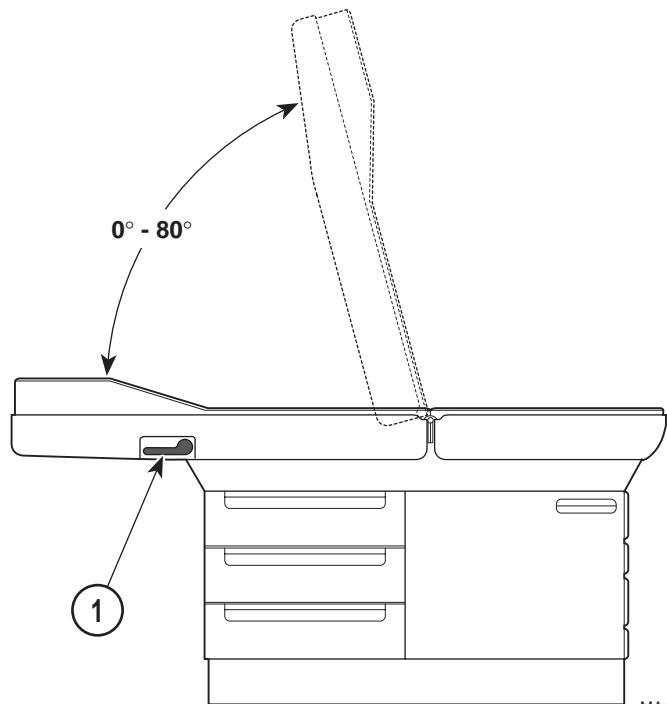
Do not use this table in an explosive or oxygen-rich atmosphere. To do so could result in an explosion or fire.

Also, remove or move all applicable accessories out of way when positioning table. Failure to do so could create pinch points, injuring a patient or damage to accessories or table.

Back Section Positioning

The back section can be positioned at any angle between horizontal and +80°.

To raise or lower back section, press release handle (1) upward using light hand pressure and then raise or lower back section until back section reaches desired position. Release the release handle (1) to lock back section in place.



MA45511

Stirrups Positioning

To erect a stirrup, grasp end of stirrup and pull stirrup straight out of table to full extension. Unfold stirrup upward to an erect position.

NOTE

If you are applying any downward pressure on the end of stirrup when sliding it in or out, it may be very difficult to move. This is normal and is part of stirrup extension locking mechanism. For ease of movement, lift up slightly while sliding stirrup in or out.

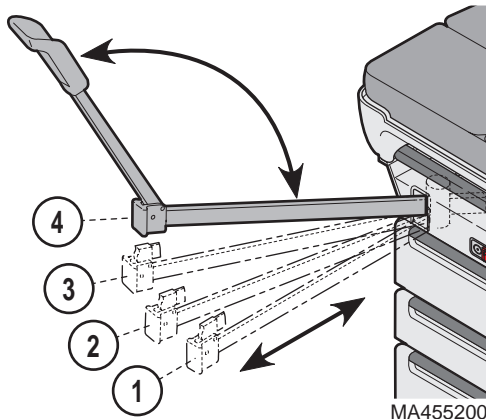
To adjust stirrup extension length, hold end of stirrup and slide in or out until desired extension is achieved.



WARNING

Failure to engage lateral locking mechanism could allow patient to lose balance resulting in personal injury to patient.

To adjust lateral position of a stirrup, lift end of stirrup and then rotate stirrup to right or left into one of four possible lateral positions. The stirrup will click into each position as it is rotated. When desired position is attained, lower stirrup to engage lateral locking mechanism. Check that lateral locking mechanism is engaged by attempting to rotate stirrup assembly without lifting on stirrup end.



To return stirrup to storage, grasp end of stirrup and pull stirrup straight out to full extension. Fold stirrup down against bar, rotate stirrup to lateral position 1, and then slide stirrup back into stowed position.

Footstep

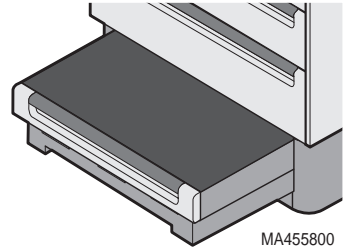


WARNING

Failure to extend and lock the footstep in place could allow patient to lose balance resulting in personal injury to patient.

Grasp the footstep and pull the footstep outward until it is fully extended. When fully extended, the footstep will drop 6.35 mm (1/4 in.) and lock into position, preventing the footstep from accidentally retracting when a patient steps onto or off of it.

To return the footstep to its storage position, raise the footstep approximately 6.35 mm (1/4 in.) and slide the footstep back into the table.



Footrest



WARNING

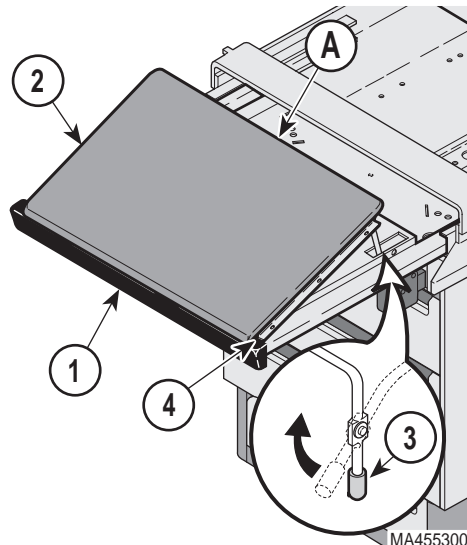
The foot extension is not intended to be extended during front entry onto or exit off of table; nor is it intended to be used as a seat. Failure to heed this warning could result in serious personal injury to patient.

To position footrest (1), pull footrest out to desired position. The upholstered pad (2) on footrest will extend with footrest.

The upholstered pad (2) may be tilted upward (+7°) toward table to improve patient comfort. To tilt upholstered pad, lift pad at Point (A); the spring loaded support handle (3) will snap into place, securing upholstered pad in place.

To remove upholstered footrest pad (2) from footrest (1), fully extend the footrest and lift upholstered pad straight up off footrest.

To replace upholstered footrest pad (2), position pad so its retaining

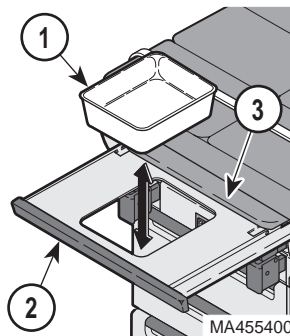


hooks (4) face toward foot end of table. Then, rotate footrest support handle (3) downward to its stowed position while lowering upholstered footrest pad (2) onto footrest.

Treatment Pan

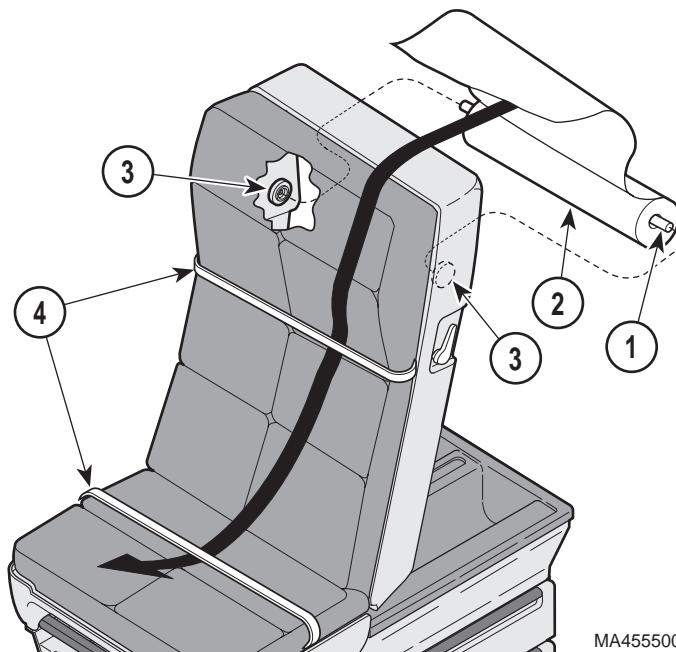
To expose treatment pan (1) for use, grasp footrest (2) and pull until footrest is fully extended. Then, slide upholstered footrest pad (3) back into table. Now, grasp footrest (2) again and slide footrest in or out until treatment pan is positioned as desired.

The treatment pan (1) can easily be removed for cleaning when footrest (2) is fully extended.



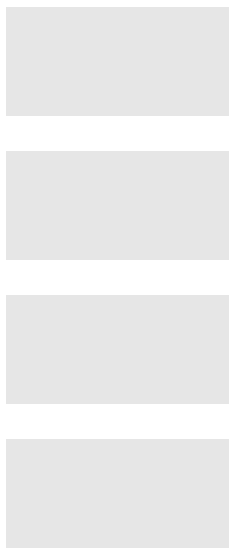
Paper Roll

A dowel rod (1) for supporting a paper roll is supplied with table [dowel rod will support up to a 53.3 cm x 8.9 cm (21 in. x 3-1/2 in.) paper roll]. **To install paper roll dowel rod (1),** raise back section upward, slip dowel rod through paper roll (2), and then place dowel rod ends in support sockets (3), located on rear side of table's back section.



Feed paper under both retaining straps (4); new paper may now be pulled out quickly and easily for each patient.

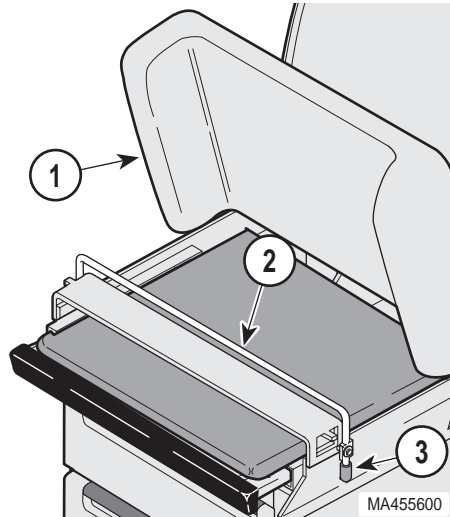
Operation



Pelvic Lift

To raise seat section (1) to the Pelvic Lift Position, grasp lower edge of seat section (1) and raise slightly until spring-loaded pelvic lift support bar (2) snaps to its full upright and locked position. Lower seat section onto support bar.

To lower seat section (1) back to normal position, grasp edge of seat section (1) and raise slightly; then rotate pelvic lift support bar (2) down by pulling on its handle (3); then lower seat section down.



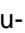
Drawer Heater

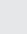


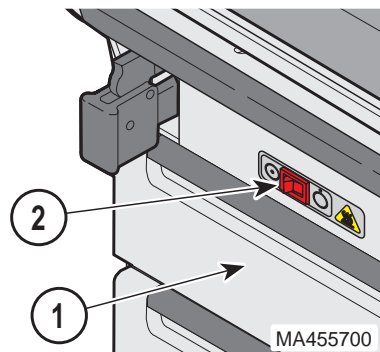
CAUTION

The drawer heater may be touched when reaching in top drawer; it is hot and could result in minor burns to hands. Also, metal surface above drawer may be hot and could result in minor burns to your hand. Do not let contents of top drawer exceed top of drawer; contents packed above drawer top could be damaged by drawer heater.

The drawer heater preheats contents of top drawer (1) on foot end of table to approximately body temperature which is approximately 95°F (35°C).

To operate heater, turn heater ON / OFF switch (2) to ON "I" . The switch will illuminate to indicate that heater is operating.

To turn heater off, turn heater ON / OFF switch (2) to OFF "O" . The switch will stop illuminating, indicating that heater is no longer operating.



List of Authorized Accessories

Listed below are the accessories which are authorized for use with this table.

Accessory / Option Name	Order Number	Restrictions / Intended Use
Procto Rest	9A0400X	Intended Use - To provide patient support and positioning during a proctological exam.
Stainless Treatment Pan	9A7000X	Intended Use - To provide a sterilizable container to hold or store items or debris for or from an examination or treatment. The treatment pan is not intended to hold more than 29.6 c.c. (1 oz.). Restrictions - Do not use simultaneously with 9A10400X, Urology Drain Pan.
Armboard	9A8600X	Intended Use - To hold an arm in a secure position.
Restraint Straps	9A8800X	Intended Use - To confine a patient to table top during an examination or general procedure.
Welch Allyn Bracket	9A9100X	Intended Use - To hold Welch Allyn Light on examination table.
Colposcope Mount	9A10100X	Intended Use - To hold a Zeiss Colposcope on examination table.
Urology Drain Pan w/hose	9A10400X	Intended Use - To provide a sterilizable container to strain fluids from a urological examination or procedure and to allow for drainage of the strained fluid through a hose. Restrictions - Do not use simultaneously with 9A7000X, Stainless Drain Pan.
Knee Crutches	9A14000X	Intended Use - To provide support for knees and legs for pelvic examinations.
Knee Crutches	9A20700X	Intended Use - To provide support for knees and legs for pelvic examinations.
Drawer Heater	9A246002	Intended Use - To provide a heater for the top, foot end drawer to warm contents of drawer up to body temperature which is approximately 95°F (35°C). Restrictions - the table must have a receptacle installed before a drawer heater may be installed.
Pull Out Foot Extension	Standard Equipment	Intended Use - To provide support for patients feet during an examination or a procedure. The foot extension is not intended to be extended during front entry onto or exit off of table; nor is it intended to be used as a seat.
Treatment Pan	Standard Equipment	Intended Use - To provide a convenient container to hold or store items or debris for or from an examination or treatment. The treatment pan is not intended to hold more than 29.6 c.c. (1 oz.). Restrictions - Do not use simultaneously with 9A7000X, Stainless Drain Pan or 9A10400X, Urology Drain Pan.

Operation

Accessory / Option Name	Order Number	Restrictions / Intended Use
Replacement Colored Drawer Front Inserts	002-0256-00	Intended Use - To provide replacement inserts.
Replacement Upholstered Top and Colored Drawer Front Inserts	002-0255-00	Intended Use - To provide replacement upholstery and drawer front inserts due to wear or remodeling of office decor.

Patient Positioning

The table is designed to accommodate the following examination positions:

- Full Flat Table Position
- Chair Position
- Lithotomy (Pelvic) Position

OPERATOR MAINTENANCE

Preventive Maintenance

Little routine maintenance is required other than periodic inspection of electrical cord to ensure it is free of cuts or damage, periodic inspection of mechanical functions to ensure satisfactory operation, and periodic check of fasteners to ensure they are present and tightened securely.

Have your authorized dealer inspect your table every six months. Oil moving parts (such as back hinge, pelvic tilt points, and stirrup indexing pivot) with a light machine oil to assure quiet, smooth, and dependable operation.

Cleaning

Upholstery



EQUIPMENT ALERT

The upholstery material that covers the top of table is resistant to most medicinal-types stains, but may be damaged by solvents and dyes. Remove any fluids which are spilled on the upholstery immediately.

Regular care should be maintained by daily wiping with a damp cloth or sponge, and periodic cleaning with a mild soap and water solution.

Painted Metal Surfaces

Wipe all painted metal surfaces with a clean cloth at least once a week. Apply paste wax periodically to preserve the surface luster.

Drawers



CAUTION

Turn off drawer heater and let it cool before removing top foot drawer for cleaning. Failure to do so could result in minor burns.

The drawers may be removed for cleaning by pulling drawer straight out and then up.

Drawer Insert Panels

Wipe all drawer insert panels with a clean cloth at least once a week. Apply paste wax periodically to preserve surface luster. If necessary, insert panels can easily be removed for cleaning by reaching up from behind and pushing out on insert panel with index finger.

Unpainted Metal Surfaces

Wipe all unpainted metal surfaces with a clean cloth. Use petroleum jelly or other white lubricants on moving parts. Lubrication will allow free movement of sliding parts and reduce noise.

Fuse Replacement

1. Remove all power to unit by unplugging unit's power cord.
2. Using a flat tipped screwdriver, gently release plastic spring clips (A) on both sides of fuse drawer (1) then pull fuse drawer from fuse housing (2).
3. Pull both fuses (3) out of fuse drawer (1) and inspect. Check the fuses for any indication that they have been blown; i.e. burnt look, fuse cord melted through, etc. Discard fuses (3) if blown.

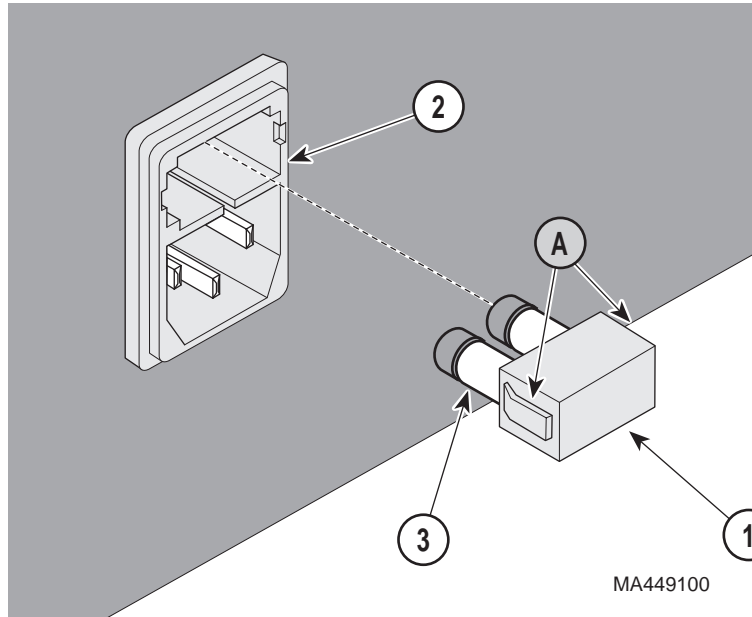


EQUIPMENT ALERT

Use fuses of the same voltage rating, amperage rating, and type. Failure to do so could result in damage to the table.

4. If necessary, obtain new fuse(s) (3). The replacement fuse(s) must be a 250 VAC, 6.3 amp, IEC 127 rated, 5 x 20 mm, Type T "Slo-Blo" Fuse.

5. Insert fuse(s) (3) into fuse drawer (1).



6. Insert fuse drawer (1) into fuse housing (2) until fuse drawer snaps into place (both side of fuse drawer are locked into fuse housing).
7. Unplug any accessory or instrument plugged into the table's receptacle(s).
8. Plug in power cord to table. If fuse blows again, call for service (see calling for service in this manual).

CALLING FOR SERVICE

If you are having a problem or have a question, refer to the inside front cover of this manual and call your dealer. Make sure that you have the information that is highlighted on inside front cover of this manual available. If you can't resolve your question or problem with your dealer, call the following number:

1-800-Midmark (1-800-643-6275) or 937-526-3662
8:00 a.m until 5:00 p.m. (Eastern Standard Time in the U.S.)
Monday thru Friday, except for standard U.S. holidays.

SPECIFICATIONS

Patient Weight (Maximum):	136.0 kgs (300.0 lbs)
Weight of Table:	132.0 kgs (290.0 lbs)
Back Section Adjustment:	0° to 80° (±5°)
Pelvic Lift Adjustment:	Seat section adjustable to +5°.
Stirrup Extension (Maximum):	35.5 cm (14 in.)
Stirrup Lateral Positions:	Four lateral positions
Footrest Extension (Maximum Extension):	52.1 cm (20.5 in.)
Footrest Extension Adjustment:	Adjustable to +7°
Table Dimensions:	
Styled Upholstered Top	68.6 cm wide x 139.5 cm long (27.0 in. wide x 55.0 in. long)
With Footrest Extended.....	191.8 cm (75.5 in.)
Base	45.7 cm x 88.3 cm (18 in. x 34-3/4 in.)
Electrical Requirements:	
Power Requirements	220-240 ±6% VAC, 50/60 HZ, 5.0 amps
Replacement Fuse Spec:.....	250 VAC, 6.3 amp, IEC 127 Rated, 5 mm x 20 mm, Type T "Slo-Blo" Fuse
Power Cord:	Extends 2.5 m (98.0 in.) 3 conductor, black jacketed, 10 amp, 250V rated Interna- tional Harmonized Cordage.
Paper Roll:	Can accept a paper roll up to 53.3 cm x 8.9 cm diameter (21 in. x 3.5 in. Dia.)
Certifications:	CE Mark ISO-9001 Certified
Classifications:	Class 1, Type B Applied Part, Ordinary Equipment, Continuous Operation
Equipment not suitable for use in the presence of a flammable anesthetic	

Operator
Maintenance

Calling For
Service

Specifications

mixture with air, oxygen, or nitrous oxide.

LIMITED WARRANTY

SCOPE OF WARRANTY

Midmark Corporation (“Midmark”) warrants to the original purchaser its new Alternate Care products and components (except for components not warranted under “Exclusions”) manufactured by Midmark to be free from defects in material and workmanship under normal use and service. Midmark’s obligation under this warranty is limited to the repair or replacement, at Midmark’s option, of the parts or the products the defects of which are reported to Midmark within the applicable warranty period and which, upon examination by Midmark, prove to be defective.

APPLICABLE WARRANTY PERIOD

The applicable warranty period, measured from the date of delivery to the original user, shall be one (1) year for all warranted products and components.

EXCLUSIONS

This warranty does not cover and Midmark shall not be liable for the following: (1) repairs and replacements because of misuse, abuse, negligence, alteration, accident, freight damage, or tampering; (2) products which are not installed, used, and properly cleaned as required in the Midmark “Installation” and or “Installation / Operation Manual for this applicable product. (3) products considered to be of a consumable nature; (4) accessories or parts not manufactured by Midmark; (5) charges by anyone for adjustments, repairs, replacement parts, installation, or other work performed upon or in connection with such products which is not expressly authorized in writing in advance by Midmark.

EXCLUSIVE REMEDY

Midmark’s only obligation under this warranty is the repair or replacement of defective parts. Midmark shall not be liable for any direct, special, indirect, incidental, exemplary, or consequential damages or delay, including, but not limited to, damages for loss of profits or loss of use.

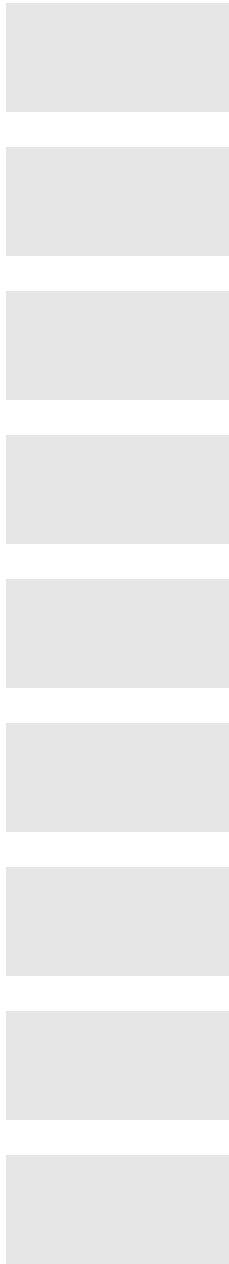
NO AUTHORIZATION

No person or firm is authorized to create for Midmark any other obligation or liability in connection with the products.

THIS WARRANTY IS MIDMARK’S ONLY WARRANTY AND IS IN LIEU OF ALL OTHER WARRANTIES, EXPRESS OR IMPLIED. MIDMARK MAKES NO IMPLIED WARRANTIES OF ANY KIND INCLUDING ANY WARRANTIES OF MERCHANTABILITY OR FITNESS FOR ANY PARTICULAR PURPOSE. THIS WARRANTY IS LIMITED TO THE REPAIR OR REPLACEMENT OF DEFECTIVE PARTS.

SF-1487 REV. A1

NOTES:



**Limited
Warranty**

NOTES:

