

ALL PRODUCT SPECIFICATIONS ARE APPLICABLE AT STANDARD CONDITIONS:
 1013 MILLIBAR, 25° C DRY AIR , AND LOAD ACROSS SENSOR TERMINALS <150 OHMS.

REV	DCO'S AFFECTING THIS DRAWING	DATE	APPROVED
A	INITIAL REL. #718	1/24/97	A. R.
F	DCO # 3808 REVISED STORAGE TEMPERATURE	8/24/11	D.L.

1. Output Current:
200 ± 40 uA (20 ± 4 mV @ 100 ohms)
2. Operation:
Temperature: 0° – 40 ° C
Pressure: 600 – 1750 mBar
Relative Humidity: up to 100% RH
(Condensing atmosphere over several hours.)
3. Storage Temperature Range:
–20° to 50° C
5° to 30° C Recommended
4. Range of Measurement (Full Scale):
0 to 100% oxygen
5. Zero Offset Current:
Less than 5 uA when exposed to 100% nitrogen for 5 minutes.
6. 90% Response Time:
Less than or equal to 13 seconds at 30 °C
7. Linearity:
Less than 3%
8. Stability:
Less than 1% volume oxygen of full scale over an 8 hour period within 20% to 100% oxygen.

9. Repeatability:
± 1% volume oxygen @ 100% oxygen applied for 5 minutes.
10. Interference:
Less than 0.5% oxygen response to 80% Nitrous oxide
Less than 0.5% oxygen response to 7.5% Halothane
Less than 0.5% oxygen response to 7.5% Isoflurane
Less than 0.5% oxygen response to 7.5% Enflurane
Less than 0.5% oxygen response to 9% Sevoflurane
Less than 0.5% oxygen response to 20% Desflurane
Less than 0.5% oxygen response to 10% Carbon Dioxide
11. Nominal Life:
> 250,000% oxygen hours
12. Warm-up Time:
Less than 30 minutes after replacement of sensor
13. Electrical Interface:
1mm Dia. x 3.5mm Long Pins
White Negative, Black Positive

UNLESS OTHERWISE SPECIFIED
 DIMENSIONS ARE IN INCHES
 AND PER ANSI Y14.5-1982

.XX = ±.01
 .XXX = ±.005
 .XXXX = ±.002

ANGLES
 ±1'30"

maxtec®
 SALT LAKE CITY, UTAH 84107

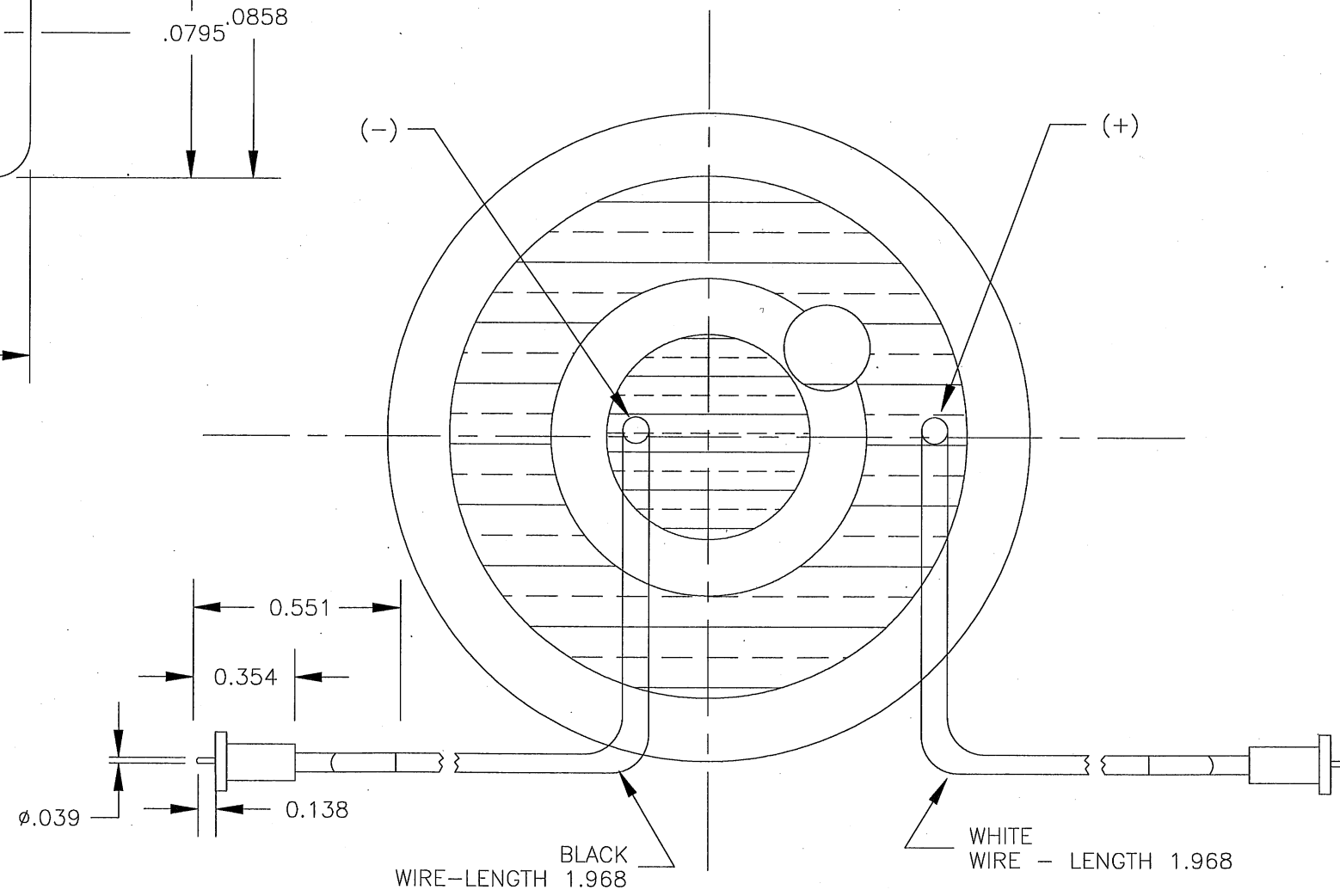
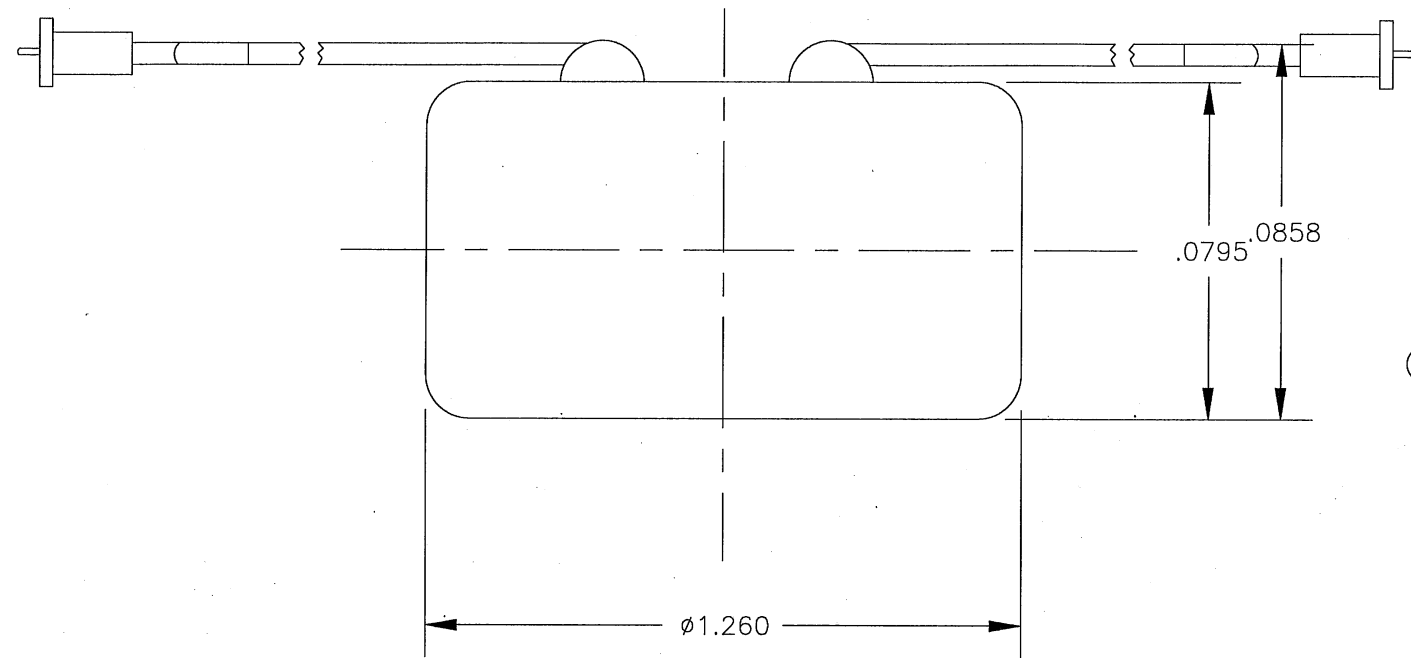
SPECIFICATIONS
 MAX-18 OXYGEN SENSOR

QA	T. LAVERY	8/15/11	PREP	E. CUTLER	1/13/97
MFG	E. MEADS	8/15/11	CHKR	G. POELAKKER	1/24/97
			ENG	C. CINDRICH	8/10/11

SIZE	FSCM NO.	NUMBER	REV
B	1S815	R116P45	F
SCALE	NONE	SHEET	1 OF 2

PROPRIETARY INFORMATION
 MAXTEC

A R116P45 F



SIZE B	FSCM NO. 1S815	NUMBER R116P45	REV F
SCALE NONE		SHEET 2 OF 2	

PROPRIETARY INFORMATION
MAXTEC

R116P45 F