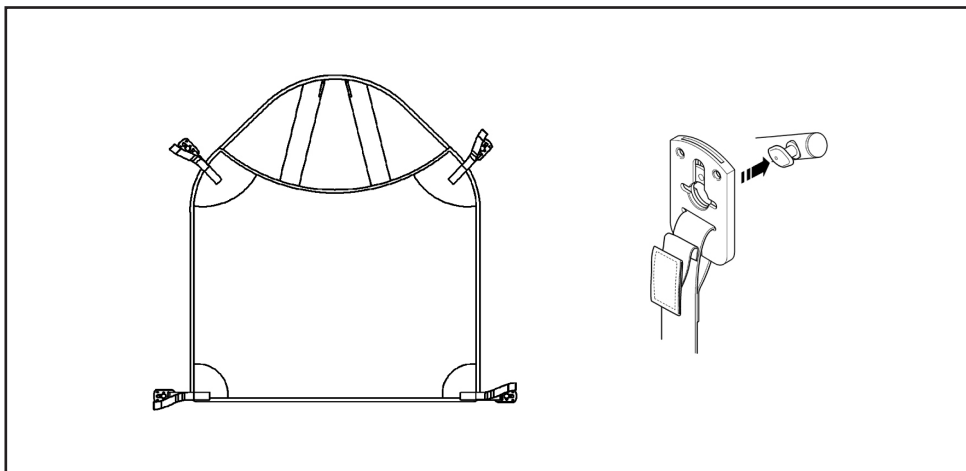


Hoyer®

Amputee Comfort Sling

USER INSTRUCTION MANUAL

The Amputee Comfort Sling is designed for amputees but is also suitable for other patients who have to remain in the sling for an extended period, such as for bed making or bathing. It is suitable for the lifting of amputees, but patients must be individually assessed for suitability by a qualified person. An amputee spreader bar is required for use with the amputee sling.



HOYER RECOMMENDS THE USE OF GENUINE HOYER PARTS.



Hoyer slings and lifters are not designed to be interchangeable with other manufacturer's products. Using other manufacturer's products on Hoyer products is potentially unsafe and could result in serious injury to patient and/or caregiver.



For the safety of the patient and carer; before using a sling a full risk assessment must be conducted to ensure that the correct sling choice, method of positioning in the sling and procedure for transfer has been determined for the patient.

Check sling and stitching before each use. Using bleached, torn, cut, frayed or broken slings is unsafe and could result in serious injury or death to the patient.

Destroy and discard worn slings. Do not alter slings.

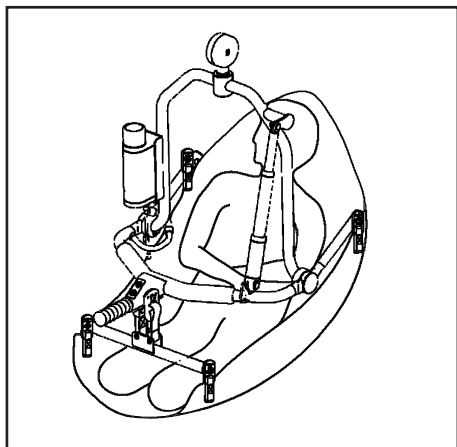
Never leave a patient unattended.

Additional slings are available to suit individual needs.
You are advised that you should always seek the advice of an authorised dealer before purchasing.

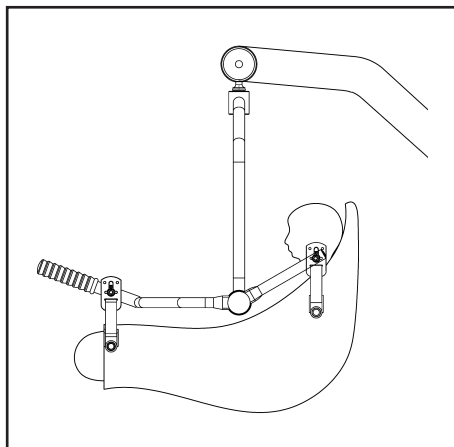
We will be pleased to advise you of your nearest authorised dealer.

ENGLISH

HOW TO FIT AN AMPUTEE COMFORT SLING



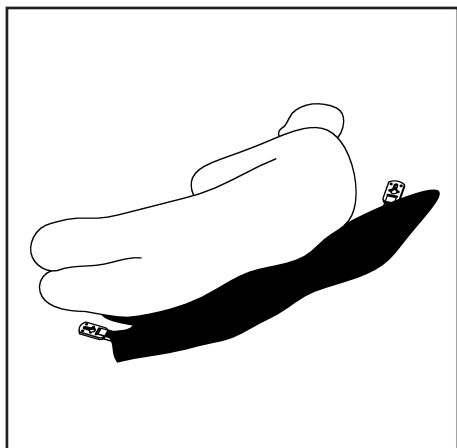
Move the 4-point cradle into position above the patient. Attach the amputee spreader bar. Keep the 4-point cradle away from the patient's face. Attach the shoulder strap and leg loops to the respective front and rear hooks on the 4-point cradle and the amputee spreader bar.



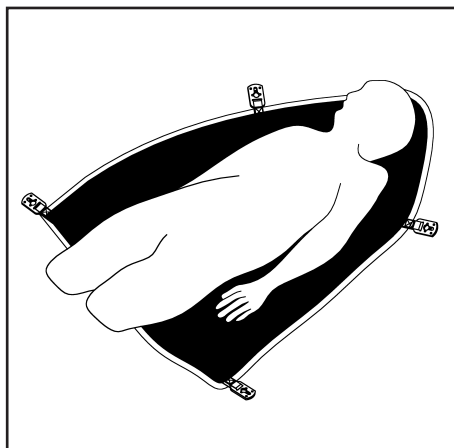
Raise the lift to the required height.

NOTE: It may be necessary to support the head whilst the patient is suspended.

RECUMBENT POSITION



From the recumbent position, roll the patient onto the sling using the draw sheet roll technique. Ensure the bottom of the sling is just behind the knees.

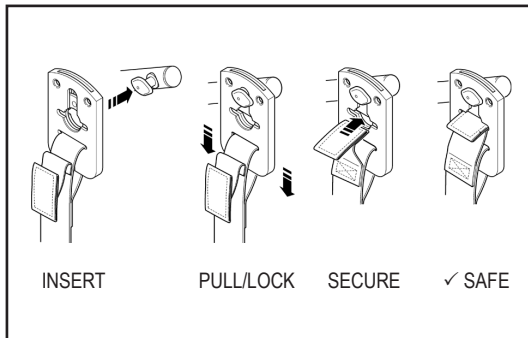


Ensure the sling is flat under the patient. The top of the sling should be at head height and level across the top and bottom edges.

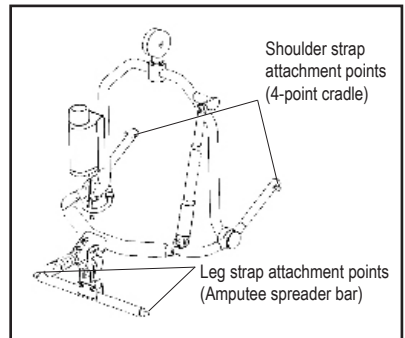
Joerns Healthcare recommend slings are checked regularly and before use for fraying or damage.

HOW TO FIT THE SLING TO THE 4 POINT CRADLE

SECURI3 CLIP SYSTEM



4-POINT CRADLE & AMPUTEE SPREADER BAR



This sling is connected to the 4-point cradle and amputee spreader bar (shown right) using the Securi3 clip system which prevents inadvertent detachment. Follow the steps above to attach the sling. To remove, simply reverse this procedure.

GOLDEN TIPS:

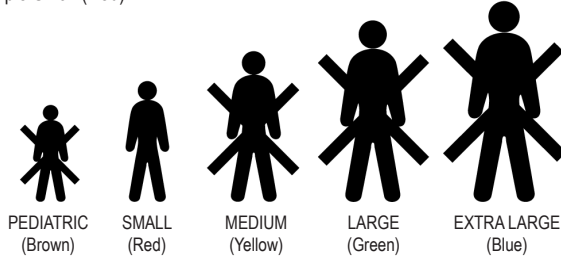
1. The client's posture can be altered by pushing down on the 4-point cradle pivot handle.
2. Attach Securi3 clips to the cradle and amputee spreader bar as described above.
3. Ensure all green safety loops are visible before lifting the patient.

TECHNICAL SPECIFICATIONS

STANDARD	BS EN ISO 10535
SAFE WORKING LOAD	500LBS / 227KG

SIZING

Each sling is marked with the following colour coded symbols, four of which will be crossed. Your sling is the uncrossed size, i.e. in this example Small (Red).



WASHING INSTRUCTIONS

Each sling is marked with the following washing instructions:

DO NOT WASH WITH BLEACH

Bleach will damage material. Slings can suffer damage during washing and drying. Check sling before each use. Bleached, torn, cut, frayed or broken slings are unsafe and could result in serious injury or death to patient. Destroy and discard worn slings. Do not alter slings. Machine wash warm. Cool tumble dry, air dry or dry at very low temperature.



DO NOT EXCEED THE RATED CAPACITY OF THE SLING OR THE LIFT.

SIZE	ORDER CODE
PEDIATRIC (BROWN)	SPECIAL (Polyester)
SMALL (RED)	NA1201 (Polyester)
MEDIUM (YELLOW)	NA1202 (Polyester)
LARGE (GREEN)	NA1203 (Polyester)
EXTRA LARGE (BLUE)	SPECIAL (Polyester)



Joerns Healthcare
 2100 Design Road, Suite 100
 Arlington, TX 76014
 Tel: 800-826-0270
 Fax: 800-457-8827
www.joerns.com