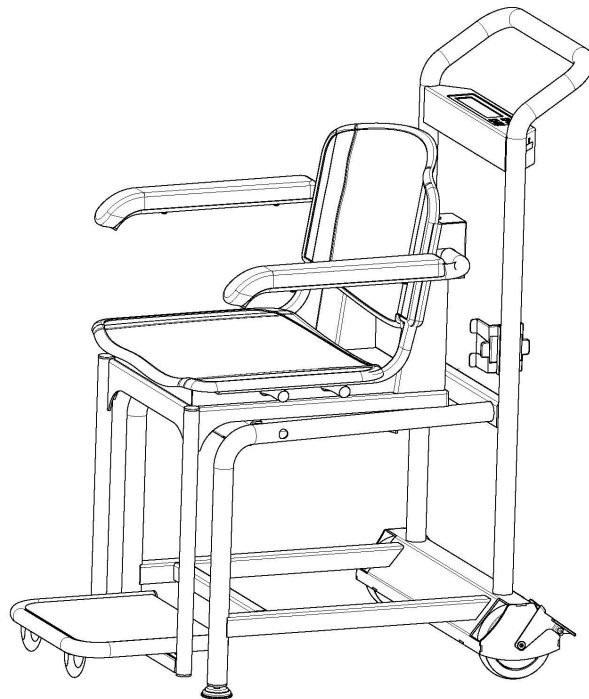




Model 2595KL Digital Chair Scale



User Instructions



PELSTAR, LLC 9500 West 55th St. McCook, IL 60525-7110 USA

www.hom scales.com

© Pelstar, LLC 2016

Thank you for your purchase of this Health o meter® Professional product. Please read this manual carefully, and keep it for easy reference or training.

TABLE OF CONTENTS

Caution and Warning.....	3
Specifications for This Scale	4
Certifications / Connectivity / Disposal / Service.....	5
Assembly Instructions 2595KL Scale	6
Set Up Information / Batteries	9
Operating Instructions	11
Maintenance.....	12
Troubleshooting	13
Calibration Procedure.....	14
Warranty.....	15

Note: This scale has been factory calibrated, and does not require calibration prior to use.

Please register your scale for warranty coverage at:

www.homscales.com

For User Instructions updates and revisions please go to:

www.homscales.com

CAUTION AND WARNING

- To prevent injury and damage to your scale, please follow these instructions very carefully.
- Assemble and operate the scale per the enclosed user instructions.
- Operate this scale exclusively with the AC adapter (ADPT 30) that is provided. Use of an unspecified adapter will void the warranty, and can pose a serious safety hazard.
- Prior to using this scale, inspect the AC adapter cord for cracking / fraying, or for broken / bent plug prongs.
- Prior to using this scale, ensure that the AC adapter is plugged into an outlet with the rated voltage appropriate for operation.
- Ensure that the AC adapter outlet is wired to a circuit breaker or other protected power source.
- Unplug the AC adapter, and carefully store both the adapter and adapter cord before moving the scale.
- Ensure that the AC adapter and scale do not come in contact with liquids, excessive temperature, or excessive humidity.
- Operating this scale at voltages and frequencies other than specified can damage the equipment and will void the warranty.
- Do not exceed recommended weight limit of 600 lb / 270 kg for this scale.
- For accurate weighing, this scale must be placed on a flat, stable surface.
- For accurate weighing, verify before each use the proper operation according to the procedure described in this manual.
- Do not use in the presence of flammable or explosive materials.
- For accurate weighing, if the “LO BAT” indicator activates, replace the batteries or switch to the AC adapter as soon as possible.
- If the scale becomes damaged, it should not be operated until properly serviced. Contact your shipper or a Health o meter[®] Professional representative immediately.
- This scale is designed for static weighing of patients only. No scale should be used for patient transfer. Pelstar, LLC assumes no responsibility for patient injury or scale damage should this caution be ignored by the scale operator.
- Do not leave patients unattended while patient is being weighed on the scale.
- When replacing / inserting batteries, be sure to use all new batteries.
- Ensure to lock or block casters while weighing a patient. Wheels must not roll freely when positioning or seating a patient.

SPECIFICATIONS FOR THIS SCALE

GENERAL



The Health o meter® Professional 2595KL Digital Chair Scale uses highly sophisticated microprocessor technology. This precision instrument is designed to provide accurate, reliable and repeatable weight measurements by providing features that make the weighing process simple, fast and convenient. Weight is displayed in kilograms or pounds. The scale includes a seat with arm supports, and a footstool that can be folded up for easy entry/exit. Also included in the scale are two large casters, caster brakes, and a handrail for easy mobility. The unit can be operated using its AC adapter or with 6 C-cell batteries.

2595KL SCALE SPECIFICATIONS

Capacity and Resolution	600 lb x 0.2 lb (270 kg x 0.1 kg)	
Power Requirements	Adapter 120V-240V AC, 50-60Hz-9V DC, ADPT 30 (included) or 6 C-cell batteries (not included)	
Environmental	Operating temperatures: 10 °C to 35 °C (50 °F to 95 °F) Storage temperatures: 0 °C to 50 °C (32 °F to 122 °) Atmospheric Pressure: 50hPa-1060hPa Humidity: 10%-85% RH	
Physical Dimensions	Seat Depth: 15-3/4" (400mm) Width: 18-1/4" (464mm) Arms Span: 19-3/4" (502mm)	Entire Scale Length: 36-1/2 (927mm) Width: 23-1/2" (597mm) Height: 40" (1016mm) Weight: 80lb, 4oz (36.5kg)

CERTIFICATIONS / CONNECTIVITY / DISPOSAL / SERVICE

Certification Descriptions

	Pelstar, LLC has been officially certified as the manufacturer of Health o meter® Professional medical devices. The Pelstar, LLC quality assurance system covers the development, production, sales and service of medical scales and measuring systems.
	This product is tested to and meets the requirements of: 1. UL60601-1 First Edition: Safety for Medical Electrical Equipment 2. CSA C22.2 No. 601-1 M90: Medical Electrical Equipment

2595KL SCALE CONNECTIVITY INFORMATION

For reliable transmission of weight data, this scale is designed to connect to a computer, monitor, or other electronic data device via a built-in USB port. This connectivity helps close a source of potential medical error caused by incorrectly copying, and then recording the weight information taken. This scale is EMR-EHR compatible. For further information regarding connection of this scale to an electronic data device, please contact a Health o meter® Professional Technical Support at 800-638-3722.

2595KL Scale Disposal



This Health o meter® Professional scale must be disposed of properly as electronic waste. Follow the national, regional or local regulations which apply to you for disposal of electronic waste or batteries. Do not dispose of this device in the domestic waste stream.

CUSTOMER SERVICE INFORMATION

The 2595KL Digital Chair Scale is shipped assembled in one carton, except for final installation of scale casters and brakes. Carefully inspect the carton for shipping damage before unpacking. If damage is found, contact Customer Service.

For further information or telephone support, please contact Customer Service at:

Telephone: 1 (800) 815-6615

Email: HomProCS@hom scales.com

2595KL ASSEMBLY INSTRUCTIONS

To avoid damaging the 2595KL when unpacking it, **do not use a box cutter, knife, scissors or any sharp object when opening the protective inner packaging.** If damage is found, contact your shipper or a Health o meter® Professional representative immediately. Claims must be filed with the shipper as soon as possible after receipt of the package. The following information details what you will find inside the carton as you unpack the parts for assembly. Set the carton aside for storage.

Parts List:

Carton

- (1) Chair Scale Assembly
- (2) Casters
- (2) Caster Breaks
- (2) Leveling Feet
- (2) Bolts
- (1) AC Adapter
- (1) 3/16" or 5mm Allen Wrench

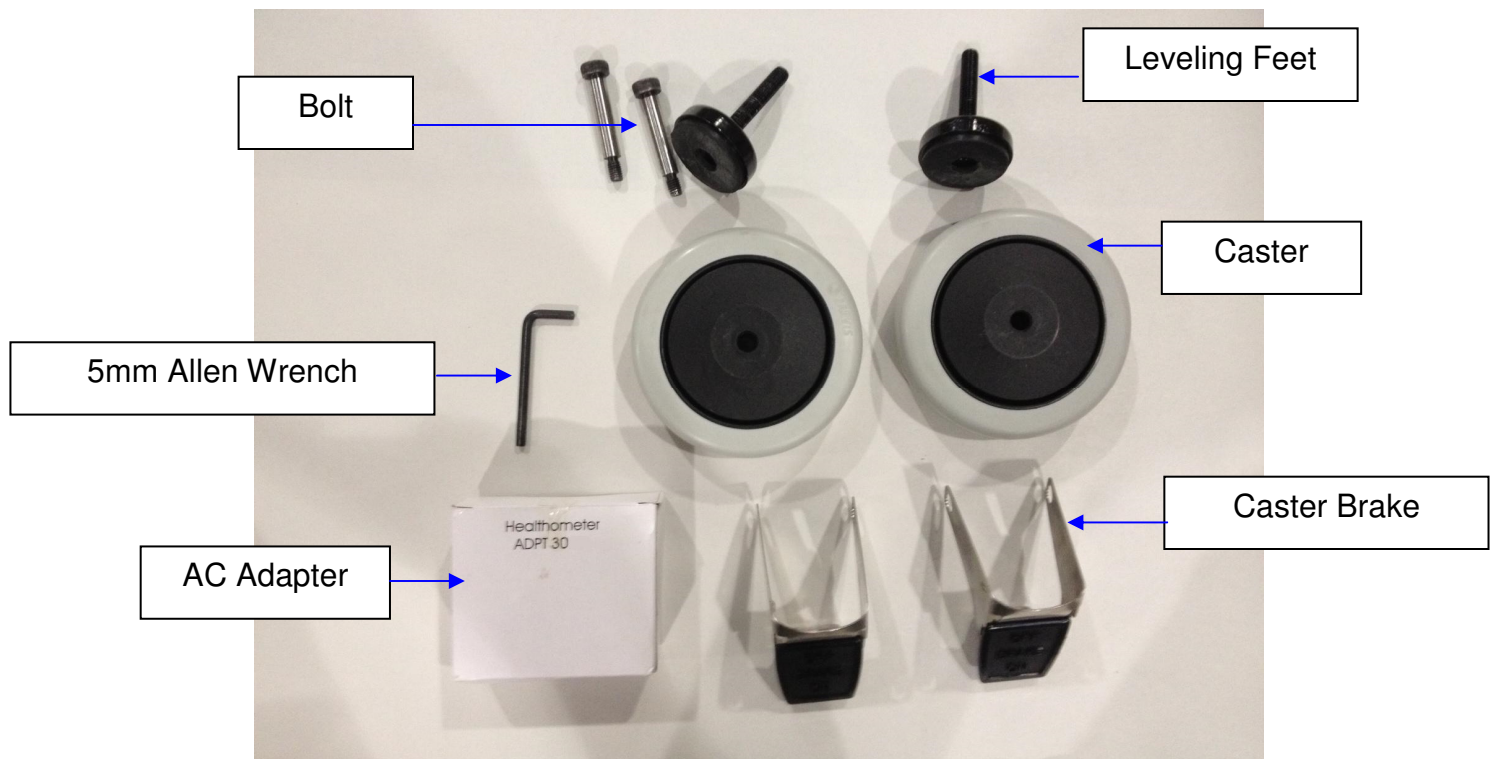


Figure 1

2595KL ASSEMBLY INSTRUCTIONS

Assembly Instructions (Refer to Figures 1- 3)

Note: Do not attach the AC adapter at this point. Wait until Step 9.

Caution: It is recommended that the assembly be performed by two persons.

1. Remove the chair scale assembly from the carton and place chair scale on a flat, level and dry surface.
2. Pull forward on the handrail to tip the scale over, and gently place it face down on the floor.
3. Thread the (2) leveling feet into the underside of the chair scale assembly. Each foot should be completely hand tightened.
4. Position the casters and caster brakes on both sides of the chair assembly.
5. Position the caster and caster brake with each bolt hole. Place the bolt through each bolt hole and tighten using the 3/16" (5mm) Allen wrench (see Figure 3).

Note: Ensure caster brake is positioned with one tab on the exterior of the caster.

6. Carefully tilt the scale back to an upright position on the floor.

Warning: Do not drop scale, as this can permanently damage the load cells.

7. Adjust the feet to level the scale.
8. Connect the AC adapter to the power port in the display assembly. Do not plug the scale into a power source until the scale is fully assembled.

Note: The scale may be operated by an AC adapter (included), or by 6 C-cell batteries (not included). Using the battery option, unplug the AC adapter from the adapter jack and ensure that there are 6 C-cell batteries in the display assembly. The scale will automatically switch to battery power when the AC adapter is absent or not plugged in.

9. The scale is now assembled. Plug the AC adapter into a power source and / or insert batteries. (See page 9 for battery installation).

2595KL ASSEMBLY INSTRUCTIONS

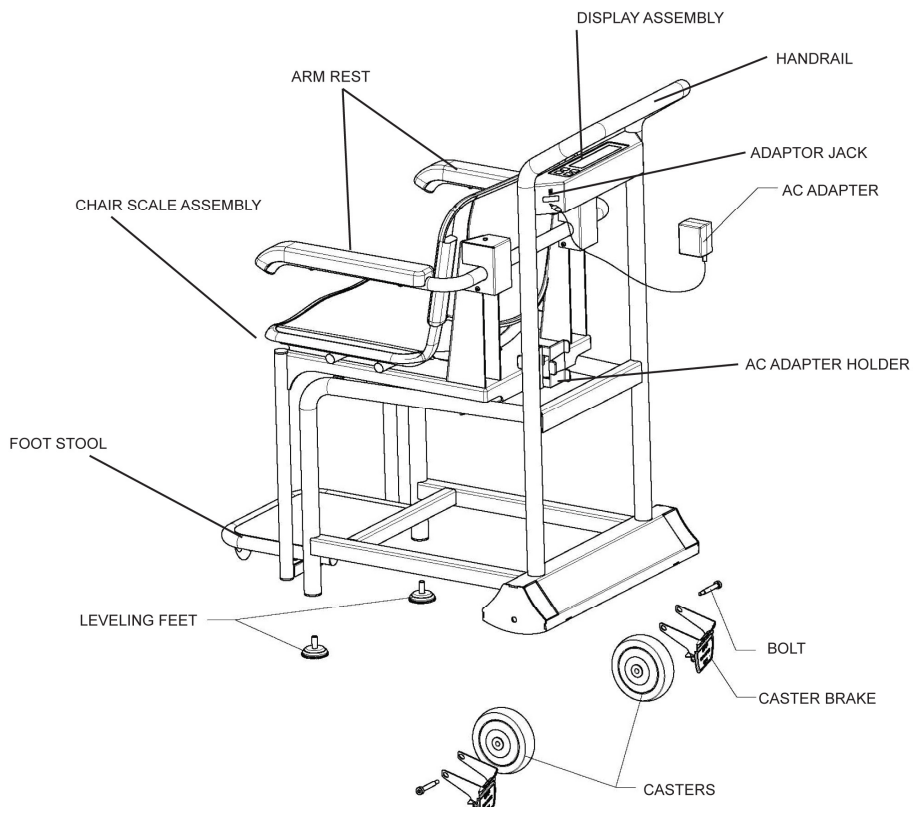


Figure 2. Assembly of the 2595KL

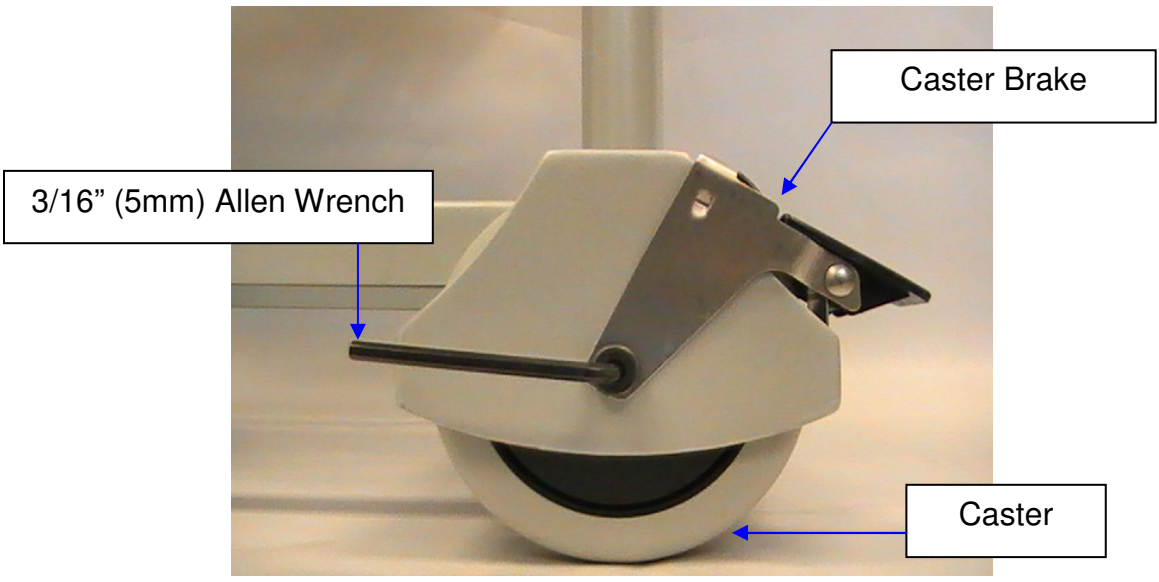


Figure 3

SET UP INFORMATION / BATTERIES

Set Up Information (Refer to Figures 4- 5)

1. Place 6 C-cell batteries in the battery holder (see “Replacing Batteries” below), or plug the AC adapter into the chair scale assembly and into the power source.
2. Press the **ON/OFF** button to turn the scale on. The display will show “START”, then “0.0”.
3. When the self-test function is complete:
 - The digital display reads “0.0”.
 - “LB” or “KG” is indicated on the right side of the display.
4. Place a weight not to exceed 600 lb (270 kg) on the scale. The digital display should blink “-----” until the weight calculation is complete.
5. Press the **LBS/KG** button to select the weight mode, either in kilograms or pounds.
6. Press the **REWEIGH** button; the digital display will read the weight on the chair scale assembly. Pressing the **REWEIGH** button will reweigh the weight that is still on the chair scale assembly.
7. Remove the weight from the chair scale assembly, the digital display will continue to show the weight of the item that was on the scale.
8. Press the **ZERO** button; the digital display will return to “0.0”.
9. Press the **ON/OFF** button to turn the chair scale assembly off. The display will show “OFF” and will then shut off.

Note: If the set up procedure failed, go to the troubleshooting instructions. If the problem is still not corrected, refer to qualified service personnel.

Installing / Replacing Batteries

1. Loosen the two plastic knobs found underneath the display assembly until the battery holder is released from the chair scale assembly and rests on the plastic knobs.
2. Carefully pull out the cable to provide access to the battery holder.
3. Raise the battery holder and simultaneously rotate it counterclockwise 1/4 turn. Carefully remove the holder from the chair scale assembly.
4. Install/replace the batteries with 6 new C-cell batteries.
5. Place the battery holder onto the plastic knobs by rotating it 1/4 turn clockwise.
6. Hold the battery holder close to the chair scale assembly and tighten the two plastic knobs to secure in place. Be careful not to damage the cable.

KG Lockout

The default weighing mode for this scale can be changed from LB/KG to KG only. To change to KG, turn the scale on and wait for the display to show “0.0”, then press and hold the **LBS/KG** button for 20 seconds until the scale beeps 6 times. The scale is now locked in the KG mode and the user cannot toggle between LB and KG. To disable the KG Lockout feature, press and hold the **LBS/KG** button for another 20 seconds until the scale beeps 6 times, indicating that the user can again toggle between pounds and kilograms.

SET UP INFORMATION / BATTERIES

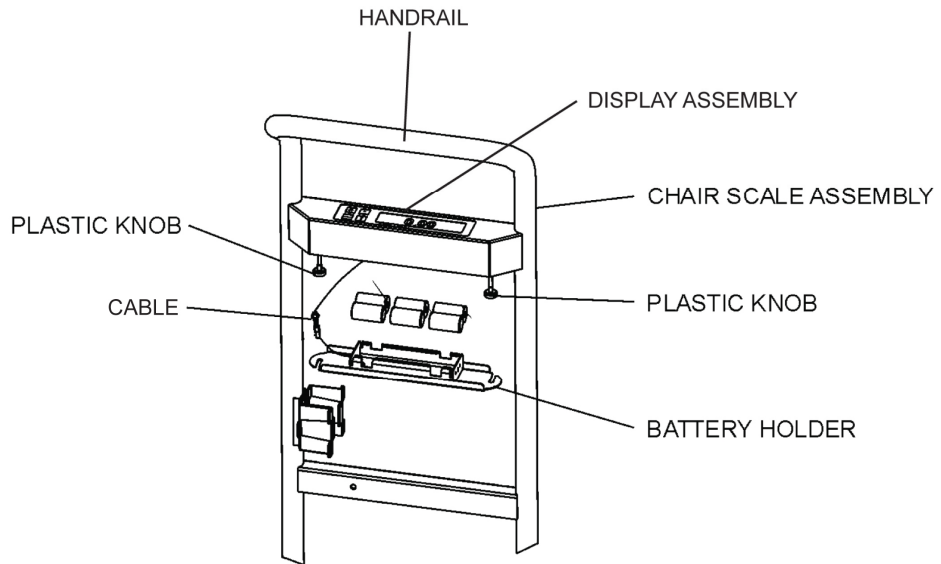


Figure 4. Replacing Batteries

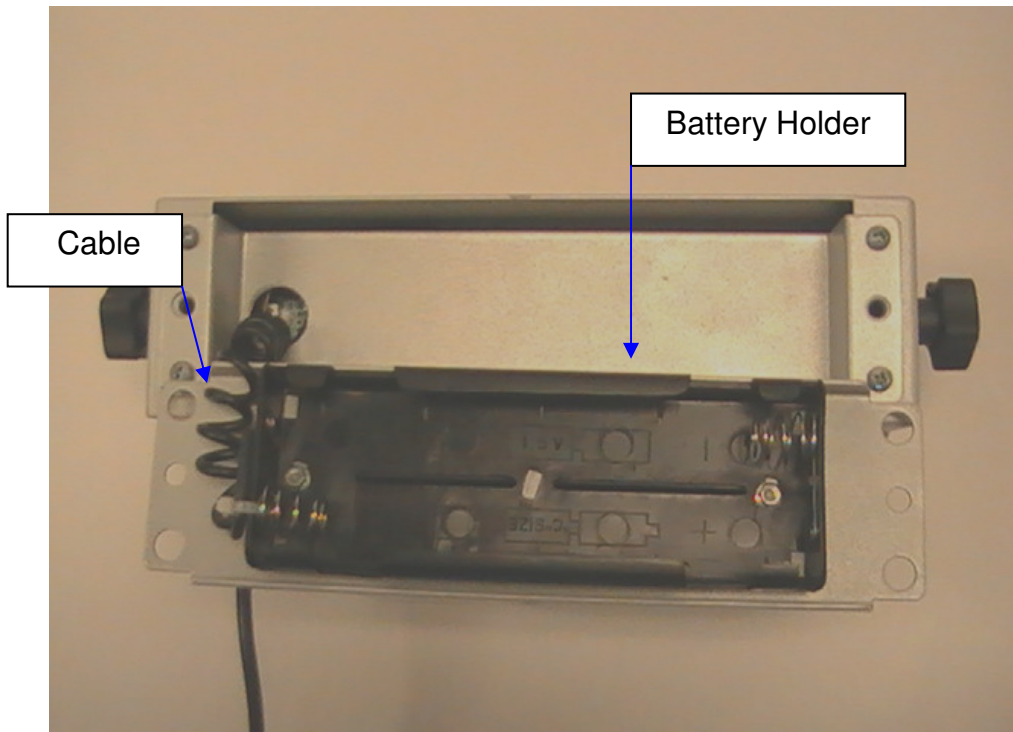


Figure 5

OPERATING INSTRUCTIONS

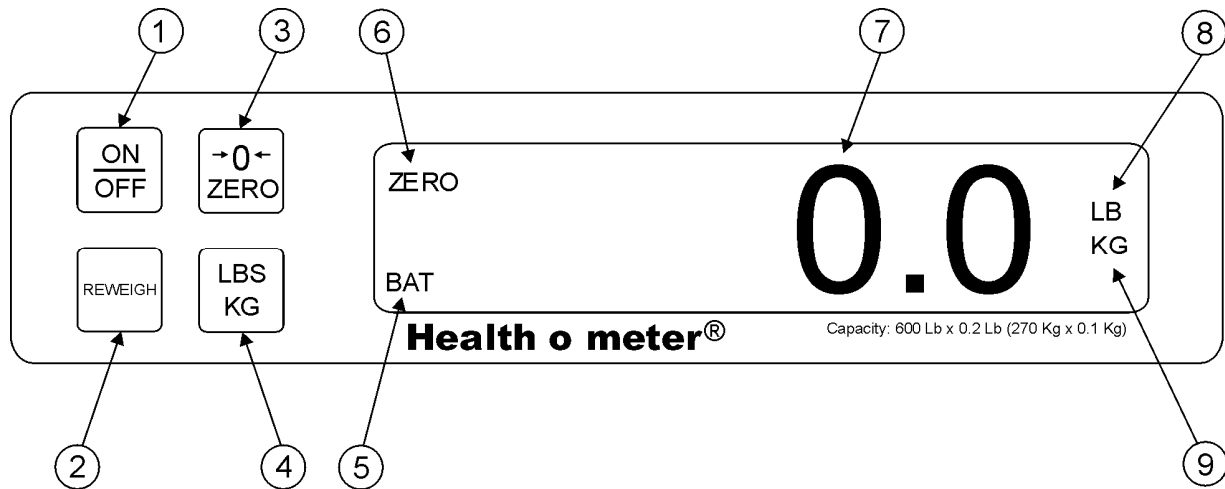


Figure 6. Control Panel

ITEM	DESCRIPTION	FUNCTION
1	ON/OFF button	Turns scale ON and OFF.
2	REWEIGH button	Allows repeated reweighing of person.
3	ZERO button	Zeros digital display prior to weighing. Enables the cancellation (tare) of weight if some object was placed on the scale.
4	LBS/KG button	Selects kilograms or pounds.
5	BAT indicator	When ON, indicates scale batteries are low. The batteries should be replaced.
6	ZERO indicator	When ON, indicates the scale is stable and ready for use.
7	Digital Display 6 Digit LCD	Displays weight in kilograms or pounds as shown by the "LB" or "KG" indicator on the right side of the display. When REWEIGH button is depressed, display will blink "-----" until patient's weight is determined.
8	LB indicator	When ON, indicates displaying weight in pounds.
9	KG indicator	When ON, indicates displaying weight in kilograms.

OPERATING INSTRUCTIONS

1. Press the **ON/OFF** button to turn the scale on.
2. Wait until "0.0" appears on the digital display.
3. Position the patient onto the scale. The display will blink "-----" until the weight of the person is determined.
4. To reweigh the patient without asking the patient to stand up and sit on the scale again, press the **REWEIGH** button.
5. Assist the patient off of the scale. The digital display should continue to read the person's weight until **REWEIGH** or **ZERO** button is pressed.

Note: When batteries are being used and the scale has been inactive for 2 minutes, the scale will turn itself off to conserve power. To restart the scale, press the **ON/OFF** button.

MAINTENANCE

GENERAL

This section provides instructions for maintenance, cleaning, and troubleshooting for the 2595KL Digital Chair Scale. Maintenance operations other than those described in this section should be performed by qualified service personnel.

MAINTENANCE

Before first use and after periods of non-use, check the scale for proper operation and function. If the scale does not operate correctly, refer to qualified service personnel.

1. Check overall appearance of the scale for any obvious damage, wear and tear.
2. Inspect the AC adapter for cord cracking or fraying, or for broken or bent prongs.

CLEANING

Proper care and cleaning is essential to ensure a long life of accurate and effective operation.

Disconnect the scale from the adapter power source.

1. Clean all external surfaces with a clean damp cloth. Mild soap and water solution may be used. Dry with a clean soft cloth.
2. Do not immerse the chair scale or arm support in cleaning or other liquid solution.
3. Do not use Isopropyl Alcohol to clean the display surface.
4. Do not use abrasive cleaners.

TROUBLESHOOTING

Refer to the following instructions to check and correct any failure before contacting service personnel.

SYMPTOM	POSSIBLE CAUSE	CORRECTIVE ACTION
Scale does not turn on	<ol style="list-style-type: none"> 1. Defective battery 2. Faulty electrical outlet 3. Defective power supply 	<ol style="list-style-type: none"> 1. Replace batteries 2. Use a different outlet 3. Replace AC adapter
Questionable weight or the scale does not zero	<ol style="list-style-type: none"> 1. External object interfering with the scale 2. The display did not show "0.0" before weighing 3. Scale is not placed on a level floor 4. Scale is out of calibration 	<ol style="list-style-type: none"> 1. Remove interfering object from the scale 2. Remove the patient from the scale. Zero the scale and begin weighing process again 3. Place the scale on a level floor and begin weighing process again 4. Check weight with known weight value
The display shows "OL"	The load on the scale exceeds the capacity	Remove the excess weight and use the scale according to its limits
The display shows "UL"	The scale is in under-load condition	Make sure all seat parts and handles are installed in place and fixed properly
The display shows "LO BAT"	The battery is depleted	Replace batteries according to instructions

CALIBRATION PROCEDURE

This scale has been factory calibrated, and does not require calibration prior to use. If required, the scale can be calibrated. The following calibration assumes the scale is set to pounds, and 200 lb is employed as the calibration standard.

Note: Only weights certified and traceable to national standards are to be used for calibration procedures.

Scale Calibration

ACTION	DISPLAY SHOWS
Press and hold the REWEIGH and ZERO buttons at the same time, while pressing the ON/OFF button to turn on the scale. "LOAD" will briefly appear on the display, followed by "200.0 LB" indicates you can calibrate. Release all three buttons.	"LOAD" followed by "200.0 LB"
Ensure there is no weight on the scale and press the REWEIGH button. "Clear" will flash on the display, followed by "-----". At this time the scale is calculating zero calibration. After zero calibration, the display will flash "PUT" followed by "200.0 LB".	"Clear" followed by "-----". Then "PUT" followed by "200.0 LB"
Place 200 lb on the scale. Then press REWEIGH . "CAL" will appear on the display, followed by "FAC" followed by 5 digits. The calibration factor should be in the range between 8000 and 10000. If the number is out of that range, contact Customer Service at 1-800-815-6615.	"CAL" followed by "FAC" followed by "XXXXX".
If the calibration factor is within range, press the REWEIGH button. "DONE" will appear on the display, followed by "START", followed by "0.0". Remove the weight from the scale.	"DONE" followed by "START", followed by "0.0".
Calibration procedure is complete.	

WARRANTY

Limited Warranty

What does the Warranty Cover?

This Health o meter® Professional scale is warranted from date of purchase against defects of materials or in workmanship for a period of two (2) years. If product fails to function properly, return the product, freight prepaid and properly packed to Pelstar, LLC (see "To Get Warranty Service", below, for instructions). If the manufacturer determines that a defect of material or in workmanship exists, the customer's sole remedy will be replacement of the scale at no charge. Replacement will be made with a new or remanufactured product or component. If the product is no longer available, replacement may be made with a similar product of equal or greater value. All replaced parts are covered only for the original warranty period.

Who is Covered?

The original purchaser of the product must have proof of purchase to receive warranty service. Please save your invoice or receipt. Pelstar dealers or retail stores selling Pelstar products do not have the right to alter, or modify or in any way change the terms and conditions of this warranty.

What is Excluded?

Your warranty does not cover normal wear of parts or damage resulting from any of the following: negligent use or misuse of the product, use on improper voltage or current, use contrary to the operating instructions, abuse including tampering, damage in transit, or unauthorized repair or alternations. Further, the warranty does not cover natural disasters, such as fire, flood, hurricanes and tornadoes. This warranty gives you specific legal rights, and you may also have other rights that vary from country to country, state to state, province to province or jurisdiction to jurisdiction.

To get Warranty Service make sure you keep your sales receipt or document showing proof of purchase. Call (+1) 800-638-3722 or (+1) 708-377-0600 to receive a return authorization (RA) number, which must be included on the return label. Attach your proof of purchase to your defective product along with your name, address, daytime telephone number and description of the problem. Carefully package the product and send with shipping and insurance prepaid to:

Pelstar, LLC
Attention R/A# _____
Return Department
9500 W. 55th St.
McCook, IL 60525



PELSTAR, LLC

9500 W. 55th St. • McCook, IL 60525 • USA

1-800-638-3722 or 1-708-377-0600

PLEASE REGISTER YOUR SCALE FOR WARRANTY COVERAGE AT: www.hom scales.com

Health o meter® is a registered trademark of Sunbeam Products, Inc. used under license.

Health o meter® Professional products are manufactured, designed, and owned by Pelstar, LLC.

We reserve the right to improve, enhance, or modify Health o meter® Professional product features or specifications without notice.

© Pelstar, LLC 2016



P/N UM2595KL Rev20160112