

HSS500 SURGICAL STOOL INTENDED USE

Hausted Surgical Stools are intended to be used to support a physician during diagnostic examinations or surgical procedures. The stools are ideal for EYE, ENT, and Plastic surgery procedures. Surgical stool features include an Adjustable Contoured Backrest, 360° Rotating Arm Rest, 180° Arm Rest Support for stable arm positioning, Adjustable Height Range 21-28 inches (53-71 cm) with optional Riser Kit to increase height range an additional 2 inches (5 cm), ABS Thermoformed Hood, and Foot-Controlled Hydraulics.

SAFETY GUIDELINES – READ BEFORE USE

- ⚠ **WARNING - IMPORTANT:** Before using the Surgical Stool, please read and adhere to the following safety precautions and warnings. Failure to do so could result in serious personal injury or damage to the Surgical Stool.
- ⚠ **WARNING:** In the event of a serious incident, contact manufacturer or competent authority.



HSS500 Surgical Stool

SIGNIFICANCE OF SAFETY STATEMENTS

Please note the following special statements, used throughout these instructions, and their significance:

- ⚠ **WARNING:** Indicates a potential hazard situation or unsafe practice that, if not avoided, could result in death or serious personal injury.
- ⚠ **CAUTION:** Indicates a potential hazard situation or unsafe practice that, if not avoided, could result in minor or moderate personal injury.
- ▲ **NOTICE:** Indicates a potential hazard situation or unsafe practice that, if not avoided, could result in product or property damage.

Info: Provides application recommendations or other useful information to ensure that you get the most from your product.

GENERAL WARNINGS

- ⚠ **WARNING:** This product has a maximum weight capacity of 300 lb (136 kg), **EVENLY DISTRIBUTED.**
- ⚠ **WARNING:** Do not modify this product without the authorization of the manufacturer.
- ⚠ **WARNING:** GF Health Products, Inc. (“Graham-Field”) assumes no responsibility for any damage or injury caused by improper assembly or use of this product.
- ⚠ **WARNING:** If components are damaged or missing, contact your authorized Hausted distributor immediately. **DO NOT** use substitute parts.
- ⚠ **WARNING:** Cancer and Reproductive Harm - www.P65Warnings.ca.gov.
- ⚠ **WARNING:** GF Health Products, Inc. specifically disclaims responsibility for any bodily injury or property damage which may occur during any use which does not comply with federal, state or local laws or ordinances.

UNPACKING INSTRUCTIONS

Unless the Surgical Stool is to be used immediately, retain box and packaging materials for storage until use is required.

1. Check for obvious damage to the carton or its contents. If damage is evident, do not use the product — notify the carrier and GF or your GF authorized distributor.
2. Remove all loose packing from the box.
3. Carefully remove unit from the carton.

OPERATION AND ADJUSTMENT

BASE PEDAL OPERATION

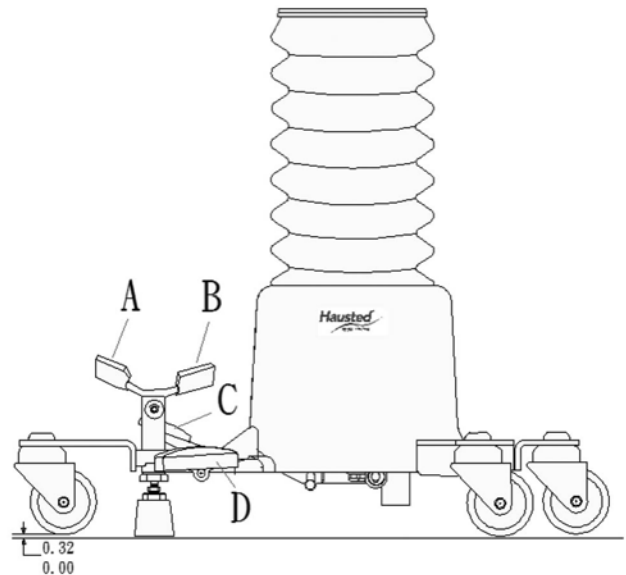
See picture at top right.

Lock and Release Surgical Stool Brake

- (A) Push down on red pad to set brake.
(B) Push down on green pad to release brake.

Adjust Stool Height

- (C) Pump to raise stool height.
(D) Depress to lower stool height.



BACK REST ADJUSTMENT

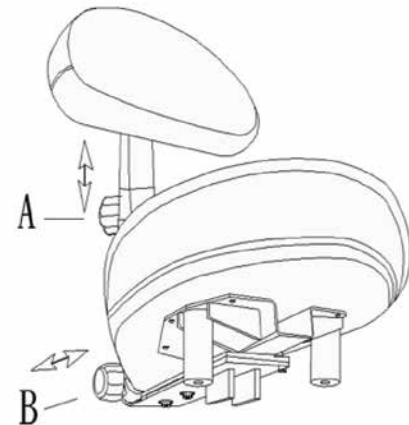
See picture at center right.

Adjust Back Rest Height

To adjust back rest height, turn **Knob A** counterclockwise. Slide the back rest up or down to the desired height. Turn **Knob A** clockwise and tighten until the back rest is secure.

Adjust Back Rest Depth

To move the back rest closer to the seat or farther away from the seat, first turn **Knob B** counterclockwise to release. Slide the back rest in or out to desired position. Turn **Knob B** clockwise until the back rest is secure.



ARM REST ADJUSTMENT

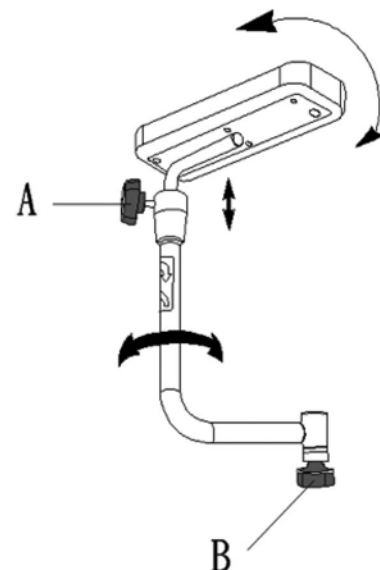
See picture at lower right.

Adjust Arm Rest Height

To adjust the arm rest height, turn **Knob A** counterclockwise to release. Raise or lower the arm rest to the desired height. Turn **Knob A** clockwise until the arm rest is secure.

Adjust Arm Rest Angle

To pivot the arm rest assembly, turn **Knob B** counterclockwise to release. Pivot the arm rest to the desired position. Turn **Knob B** clockwise until the arm rest assembly is secure.



MAINTENANCE AND DISPOSAL

⚠ WARNING: Check the fit and tightness frequently of all fasteners to ensure that the Surgical Stool is securely assembled.

CLEANING

▲ NOTICE – POSSIBLE EQUIPMENT DAMAGE HAZARD: Steam cleaning and pressure washing, cleaning with hose, or ultrasonic cleaning of stool is not recommended and may void warranty.

▲ NOTICE: Quaternary Germicidal Disinfectants, used as directed, and/or Chlorine Bleach products, typically 5.25% Sodium Hypochlorite in dilutions ranging between 1 part bleach to 100 parts water, and 2 parts bleach to 100 parts water, are NOT considered mild detergents. These products are corrosive and may cause damage if used improperly.

1. Hand wash all surfaces with warm water and mild detergent.
2. Dry thoroughly.

DISINFECTION

▲ NOTICE: Iodophor type disinfectants are not recommended for use with this product because staining may result

Info: When used in those concentrations recommended by the manufacturer, either phenolic-type or quaternary-type disinfectants may be used to disinfect this product.

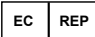









DISPOSAL

Hausted equipment and accessories can be disposed of. We recommend disassembling and dividing the equipment and components into different waste groups such as: metal, cable, electronic, recoverable resource and plastic for recycling or combustion. Most plastic components are provided with a plastic types code and fiber content to aid sorting of plastic parts.

Product	Metal Scrap	Cable Scrap	Electronic Scrap	Plastic Recycling or Combustion
HSS500	X	X	—	X

KEY TO SYMBOLS

The following symbols are used on Hausted product labels.

	European Authorized Representative: CEpartner4U BV ESDOORNLAAN 13 3951DB MAARN The Netherlands +31(0)6 516 536 26		Manufactured by: GF Health Products, Inc. One Graham-Field Way Atlanta GA 30340-3140 1.770.368.4700 Main / 1.770.368.2386 Fax www.grahamfield.com / www.Hausted.com
	CE Mark		Serial Number
	Keep Dry		Fragile, Handle with Care
	Consult Operating Instructions		Caution
	Date of Manufacture		Medical Device

LIMITED WARRANTY

SCOPE OF WARRANTY

GF Health Products, Inc. ("GF") warrants to the original purchaser only that it will replace or repair components, at GF's sole discretion, that are defective in material or workmanship under normal use and service. All warranties are conditioned upon the proper use of the products strictly in accordance with good commercial practice and applicable GF instructions and manuals, including proper use and maintenance. To the extent that a third party warrants a component, GF conveys all of its rights under that warranty to the original purchaser, to the extent permitted.

This limited warranty shall only apply to defects that are reported in accordance with the provisions set forth in this warranty document, within the applicable warranty period and which, upon examination by GF or its authorized representative, prove to be a warranty item. (See Obtaining Warranty Service below) This limited warranty is not transferable. Within the guidelines set forth in this document, this product is warranted for one (1) year. The applicable warranty period shall commence from date of shipment to the original customer, unless there is an expiration date on the component in which case the warranty shall expire on the earlier of warranty period or the expiration date.

OBTAINING WARRANTY SERVICE

Customers located in the United States who wish to report a warranty issue, must contact GF directly by calling 1.770.368.4700 or by e-mailing a request to cs@grahamfield.com. Customers located outside the United States must contact the Distributor from whom they purchased the products. In both cases, further directions will be provided once the initial contact is made. This limited warranty shall only apply to defects that are reported within the applicable warranty period. Failure to abide by the specific directions will result in denial of the warranty claim.

EXCLUSIONS

The warranty does not cover and GF shall not be liable for the following:

- 1) Defects, damage, or other conditions caused, in whole or in part, by misuse, abuse, negligence, alteration, accident, freight damage, tampering or failure to seek and obtain repair or replacement in a timely manner;
- 2) Products which are not installed, used, or properly cleaned and maintained as required in the official manual for the applicable product;
- 3) Products considered to be of a non-durable nature including, but not limited to: filters, fuses, gaskets, lubricants, and charts;
- 4) Accessories or parts not provided by GF;
- 5) Matching of color, grain or texture except to commercially acceptable standards;
- 6) Changes in color caused by natural or artificial light;
- 7) Charges by anyone for adjustments, repairs, replacement parts, installation or other work performed upon or in connection with such products which are not expressly authorized in writing, in advance, by GF;
- 8) Any labor or shipping charges incurred in the replacement part installation or repair;
- 9) Costs and expenses of regular maintenance and cleaning; and
- 10) Representations and warranties made by any person or entity other than GF.

ENTIRE WARRANTY, EXCLUSIVE REMEDY AND CONSEQUENTIAL DAMAGES DISCLAIMER

THIS WARRANTY IS GF'S ONLY WARRANTY AND IS IN LIEU OF ALL OTHER WARRANTIES, EXPRESS OR IMPLIED. GF MAKES NO IMPLIED WARRANTIES OF ANY KIND INCLUDING ANY IMPLIED WARRANTIES OF MERCHANTABILITY OR FITNESS FOR A PARTICULAR PURPOSE. IF ANY MODEL OR SAMPLE WAS SHOWN TO THE CUSTOMER, SUCH MODEL OR SAMPLE WAS USED MERELY TO ILLUSTRATE THE GENERAL TYPE AND QUALITY OF THE PRODUCT AND NOT TO REPRESENT THAT THE PRODUCT WOULD NECESSARILY CONFORM TO THE MODEL OR SAMPLE IN ALL RESPECTS. THIS WARRANTY IS LIMITED TO THE REPAIR OR REPLACEMENT OF THE DEFECTIVE PARTS. GF SHALL NOT BE LIABLE FOR AND HEREBY DISCLAIMS ANY DIRECT, SPECIAL, INDIRECT, INCIDENTAL, EXEMPLARY OR CONSEQUENTIAL DAMAGES, INCLUDING, BUT NOT LIMITED TO: DAMAGES FOR LOSS OF PROFITS OR INCOME, LOSS OF USE, DOWNTIME, COVER, OR EMPLOYEE OR INDEPENDENT CONTRACTOR WAGES, PAYMENTS AND BENEFITS. CERTAIN STATES MAY CONFER ADDITIONAL RIGHTS REGARDING WARRANTIES AND IN THOSE STATES GF'S LIABILITY AND THE LIABILITY OF GF'S SUPPLIERS, SHALL BE LIMITED TO THE FULLEST EXTENT PERMITTED BY LAW.

The warranties contained herein, together with GF's current Terms and Conditions, contain all the representations and warranties with respect to the subject matter of this document, and supersede all prior negotiations, agreements and understandings with respect thereto. The recipient of this document hereby acknowledges and represents that it has not relied on any representation, assertion, guarantee, warranty, collateral contract or other assurance, except those set out in this document.

For additional information on this product or this warranty, please contact a GF Customer Service Representative.

NOTES:

- 1) Additional terms and conditions may apply. See GF's General Terms and Conditions on its website: www.grahamfield.com.
- 2) Freight claims must be notated on the appropriate shipping documents and must be made with immediacy. International, federal and state regulations govern specific requirements for freight claims. Failure to abide by those regulations may result in a denial of the freight claim. GF will assist you in filing the freight claim.
- 3) Claims for any short shipment must be made within three (3) days of the invoice date.



1.770.368.4700

Information contained herein is subject to change.
The most current and complete product information can be found on our website.
www.grahamfield.com



© 2020, GF Health Products, Inc. All Rights Reserved.

Hausted is a trademark of GF Health Products, Inc.

GF Health Products, Inc. is an ISO 13485:2016 / MDSAP Certified Company.

Assembled in U.S.A.