

Complete Kits

Kits shown below provide a complete set of components and the standard-length rail (31"/791 mm). Variations in fastener-rail length and individual components are available.

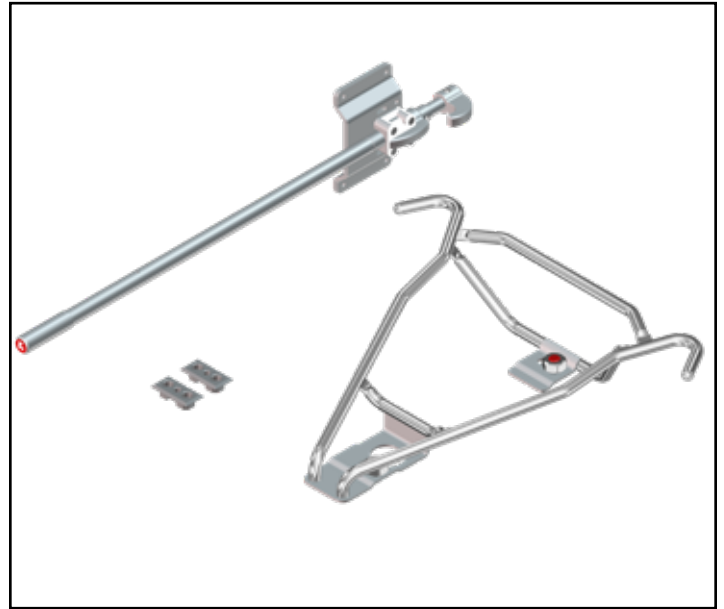
Kits below include fasteners (screws, washers, nuts) to attach the rail to the rail bracket, and tie-down knobs as needed. Universal Floor Plate kits include fasteners to attach the antler and safety hook to the UCF.

Complete Fastening System Kits

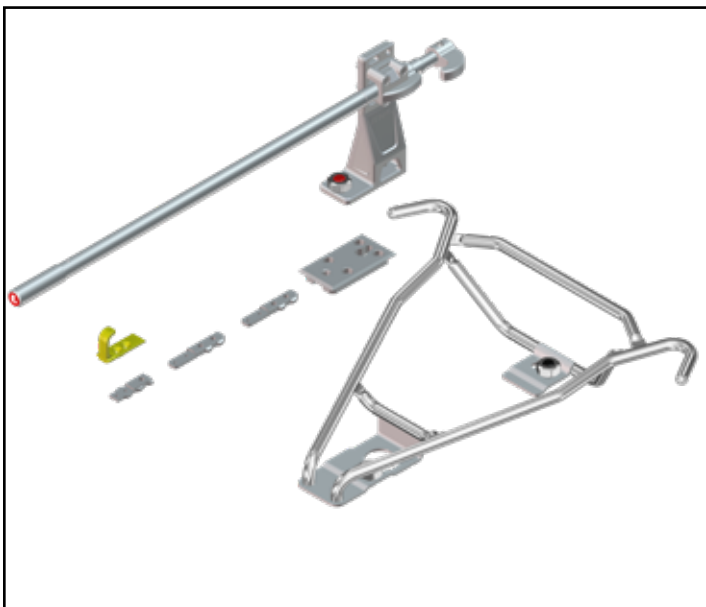
Part	Kit
Standard Floor Mount (Floor Antler, Floor Rail)	000175SF
Standard Wall Mount (Floor Antler, Wall Rail)	000175SW
Universal Mount Complete, Floor (includes Floor Rail)	000175UF
Universal Mount Complete, Wall (includes Wall Rail)	000175UW



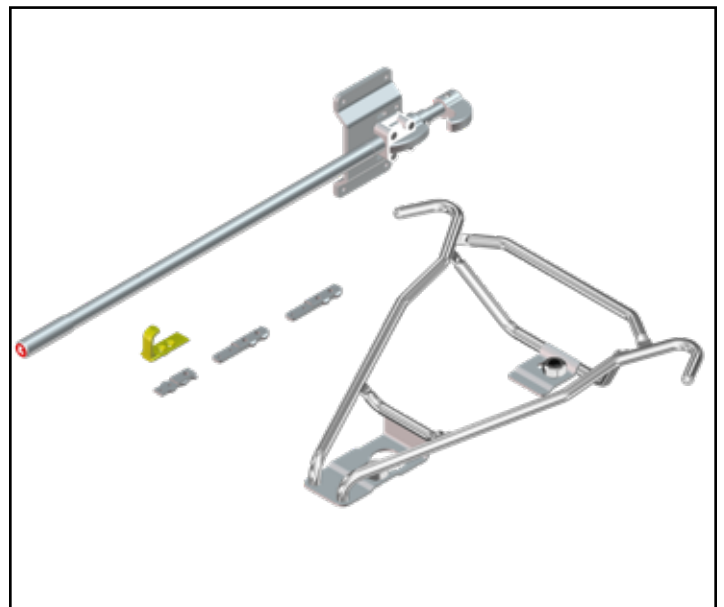
Kit #000175SF
Standard Floor Mount Complete



Kit #000175SW
Standard Wall Mount Complete



Kit #000175UF
Universal Mount Complete, Floor



Kit #000175UW
Universal Mount Complete, Wall

Mass Casualty Kits for PRO F1

These kits permit one of a wide range of non-SAE cots that are compatible with an antler-and-rail fastening system to be secured in a PRO F1 fastening system.

Ferno:

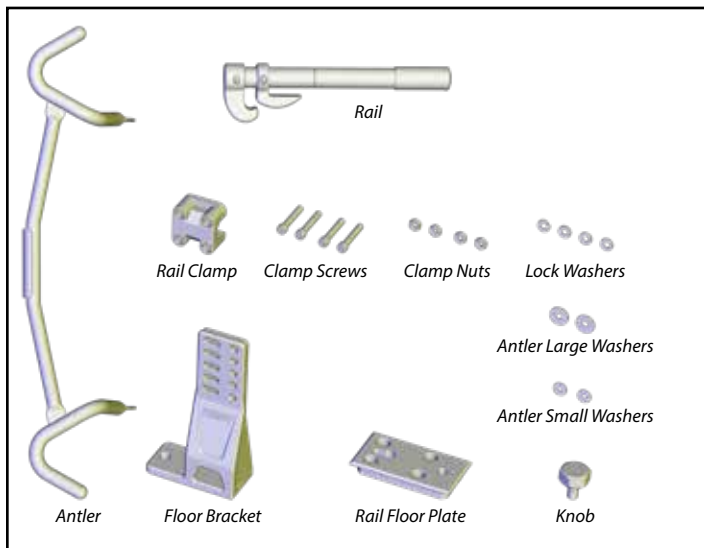
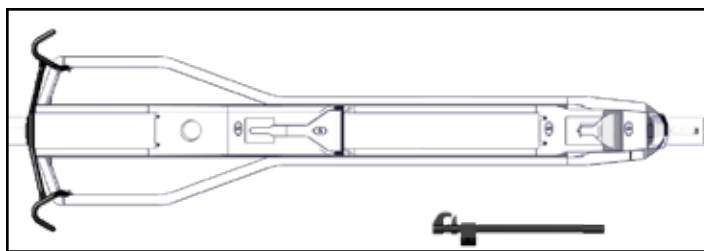
- **POWER X1** (SAE and Non-SAE versions)
- **POWERFlexx+ Series**
- **35X PROFlexx Series**
- **35A Cot Series**

Stryker: (*)

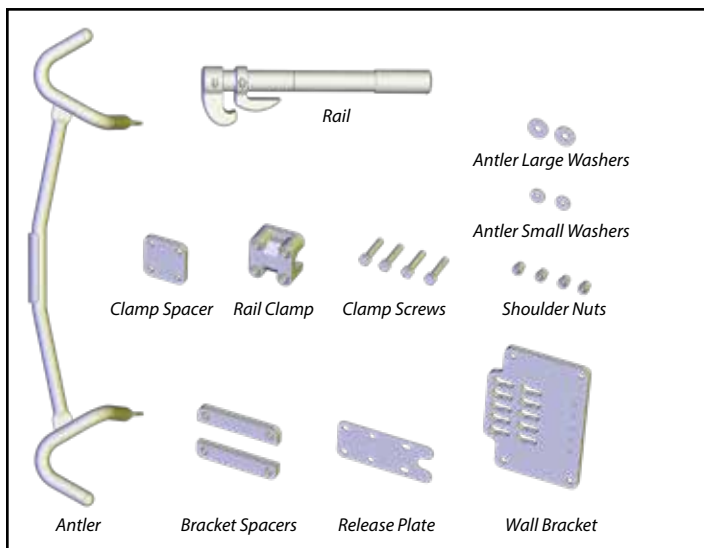
- **Power Pro (XT, IT)**
- **Performance Pro (XT, MX-PRO Bariatric, MX-PRO R3)**

(*) Stryker name and products are trademarks of Stryker Corporation, Portage, MI, USA. Refer to the current version of compatibility matrix at our website www.fernoems.com.

URL: [Compatibility Matrix](#)



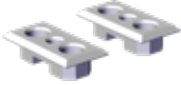

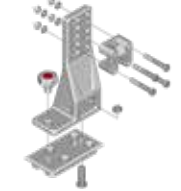










**PRO F1 Mass Casualty Kit 056-7069
(Floor-Mount Rail Bracket)**



**PRO F1 Mass Casualty Kit 056-7081
(Wall-Mount Rail Bracket)**

PSB Model 175 Reference Guide

Image	Kit	Kit Name	Wall	Floor	UFP
	511-3550	Rail Clamp Only	•	•	•
	806-1000	Rail Floor Plate Only		•	
	056-7071	Antler Floor Plate (pair)	•	•	
	056-7072	Rail Wall Bracket with Rail Clamp and Hardware	•		
	056-7073	Rail Floor Bracket with Rail Clamp, Floor Plate, Tie-Down Knob and Hardware		•	
	056-7074	Rail 16" (404 mm)	•	•	•
	056-7075	Rail 31" (791 mm)	•	•	•
	056-7076	Rail 37" (943 mm)	•	•	•
	056-7077	Antler, Tie-Down Knobs, Safety Hook, and Hardware (for UFP)			•
	056-7078	Antler and Tie-Down Knobs Only (for Antler Floor Plates)	•	•	
	082-2504	Safety Hook for Universal Floor Plate with Hardware			•
	090-6095	Tie-Down Knob Black for Universal Floor Plate			•
	090-6096	Tie-Down Knob Red for Antler or Floor-Mounted Rail	•	•	

Legacy Model 175 Components

- Some components are obsolete and no longer available.
 - Aluminum rail
 - Legacy antler
- Legacy components are not compatible with current Model 175.

NOTICE

Legacy parts are not compatible with the current Model 175. Wall and floor brackets, and the rail clamp have different hole patterns, and antler-mounting blocks are not used at all with the current design.

Legacy Model 175 Parts

Antler Mounting Block (removable)	090-0264
Aluminum Tie-down Knob	090-0268
Removable Floor Mount Bracket	090-0263
Wall Mount Bracket	EMSAR 190-1398
Rail Clamp for Wall Bracket w/hardware	EMSAR 190-1451
Rail Clamp for Floor Bracket w/hardware	EMSAR 190-1399

Ferno Customer Relations

For ordering assistance or general information:

CANADA AND THE U.S.A.

Telephone (Toll-free)	1.877.733.0911
Telephone	1.937.382.1451
Fax (Toll-free)	1.888.388.1349
Fax	1.937.382.1191
Internet	www.ferno.com

ALL OTHER LOCATIONS

For assistance or information, please contact your Ferno distributor. If you do not have a Ferno distributor, please contact Ferno Customer Relations:

Ferno-Washington, Inc., 70 Weil Way
Wilmington, Ohio 45177-9371, U.S.A.

Telephone	+1.937.382.1451
Fax	+1.937.382.6569
Internet	www.ferno.com

Repairs or Parts

In the United States and Canada, contact EMSAR, the only organization authorized by Ferno to manage, service, and repair Ferno products.



Telephone (Toll-free)	1.800.73.EMSAR
Telephone (Worldwide)	1.937.383.1052
Fax (Worldwide)	1.937.383.1051
Internet	www.EMSAR.com