

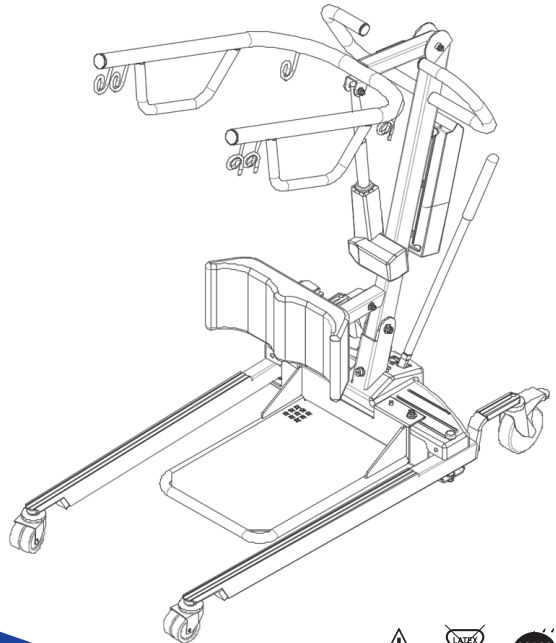
Reorder No. 10702

 Manufactured for:  
Dynarex Corporation  
10 Glenshaw Street  
Orangeburg, NY 10962  
USA • [www.dynarex.com](http://www.dynarex.com)

Made in China



# *Sit-to-Stand Electric Patient Lift*



## GENERAL INFORMATION

### INTENDED USE

The Dynarex Sit-to-Stand Electric Patient Lift (Reorder no. 10702) is intended for use within an institutional healthcare environment, i.e. hospitals, nursing homes, rehabilitation care, assisted living.

The Dynarex Sit-to-Stand Electric Patient Lift is NOT a transport device. It is intended to transfer an individual from one resting surface to another (such as a bed to a wheelchair).

### SAFETY PRECAUTIONS

#### Assembling the lift

DO NOT overtighten the mounting hardware as this can damage the mounting brackets.

All hardware must be tight to ensure safe use of the patient lift. All hardware and welds must be checked at least every six months in conjunction with periodic maintenance.

#### Operating the lift

DO NOT exceed maximum weight limitation of the patient lift. The weight limitation for 10702 is 400 lb.

ALWAYS ensure there is an audible click when mounting battery on the battery charger to confirm proper mounting. Otherwise, injury or damage may occur.

ALWAYS keep hands and fingers away from moving parts to avoid injury.

### Lifting the patient

Specific slings are made for the Sit-to-Stand Electric Patient Lift. For the safety of the patient, DO NOT intermix slings and patient lifts of different manufacturers. Warranty will be voided.

When the patient is elevated a few inches off a stationary surface and before moving the patient, check again to make sure that all hardware or straps are properly connected. If any attachment is NOT properly in place, lower the patient back onto the bed and rectify the issue.

Adjustments for safety and comfort should be made prior to moving the patient.

During transfer, DO NOT roll caster base over uneven surfaces that could cause the patient lift to tip over. Use steering handle on the mast at all times to maneuver the patient lift.

### Performing maintenance

DO NOT attempt to open the pre-sealed actuator as it will VOID the warranty and might result in damage. Consult your dealer or manufacturer for further information.

### Disposal

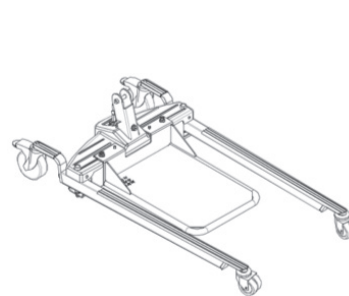
Device contains lead acid batteries. DO NOT dispose of batteries in normal household waste. They MUST be taken to a proper disposal site. Contact your local waste management company for information.

## EQUIPMENT ASSEMBLY

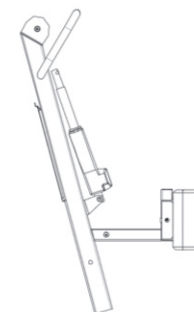
### UNPACKING THE PATIENT LIFT

Main components provided in the package:

Not all items provided in the carton are shown. Pinch guards, bolts, washers and nuts are fastened to their intended locations and therefore omitted from the illustration. Unless the lift is to be used immediately, retain boxes, containers, and packing materials for use in storing until use of patient lift is required.



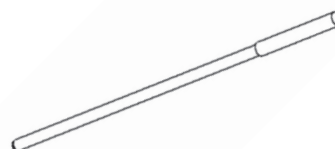
Lift Caster Base × 1



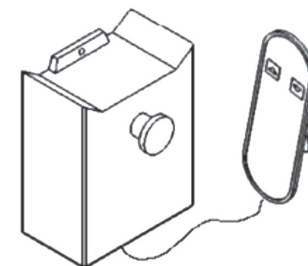
Mast Assembly × 1



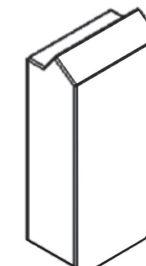
Boom × 1



Shifter Handle × 1



Control Box & Hand Pendant × 1



Battery × 1



Charging Power Cord × 1

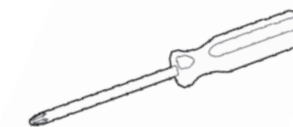


Also provided in the package:  
Allen Wrench × 2 (size M8 & M10)

You should prepare the following tools for the lift assembly:



Wrench × 2 (size M8 & M10)

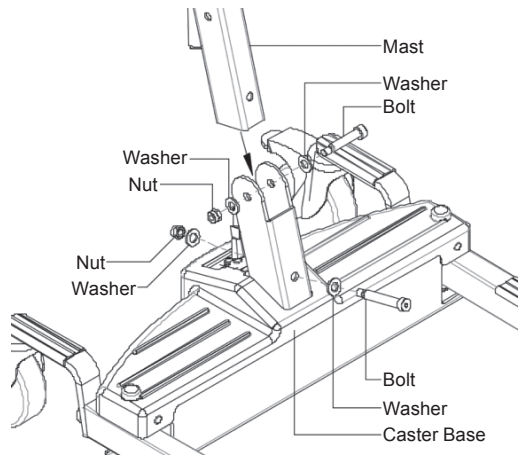


Phillips Screwdriver × 1

## ASSEMBLING THE PATIENT LIFT

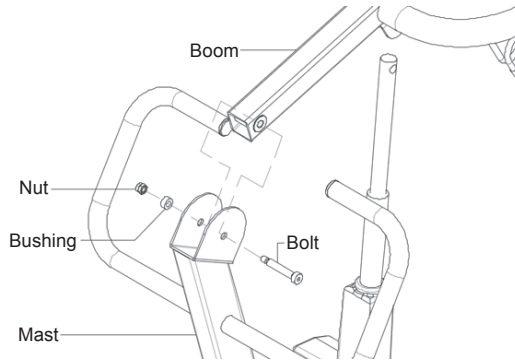
### Assembling the mast to the base

1. Step on the locking levers to lock the two rear casters at the base.
2. Remove the bolts, washers and nuts fastened to the base of the mast.
3. Position the mast in an upright position and place the mast over the U-shape cut-out of the base.
4. Insert bolts with washers through the base and mast.
5. Secure with nuts.



### Assembling the boom to the mast

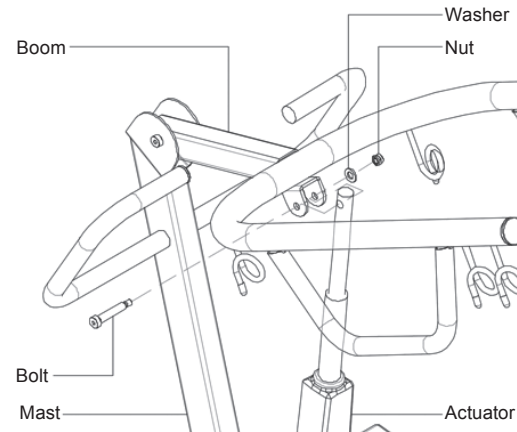
1. Remove the shoulder bolt, bushing and nut fastened to the boom mounting bracket.
2. Lift up on the boom and align its mounting holes with the mounting bracket on the mast.
3. Insert the shoulder bolt with bushing and secure the boom to mast with nut.



### Assembling the electric actuator to the boom

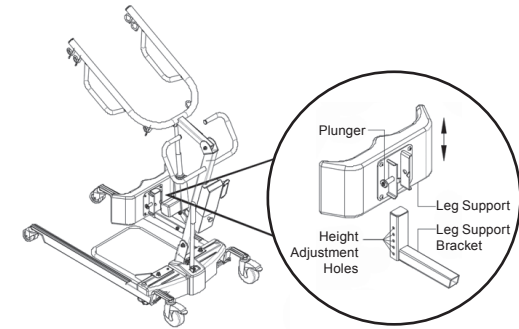
1. Remove the bolt, washer and nut fastened to the boom mounting bracket.
2. Lift up on the boom and place it on your left shoulder.
3. Lift the boom actuator shaft extension until it lines up with the mounting holes in the boom assembly.
4. Align the holes of the boom assembly mounting bracket with those of the boom actuator and insert the bolt. Secure with nut.

**NOTE:** Be sure that the bolt is completely through the holes of the boom assembly mounting bracket and the actuator assembly. The boom assembly will pivot easily if the mounting hardware is aligned properly when the boom assembly is secured.



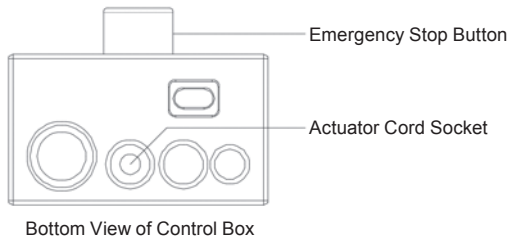
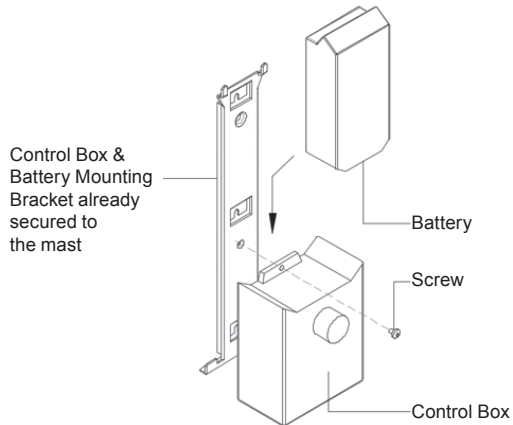
### Assembling the knee support

Slide knee support onto the leg support bracket and use the plunger pin to adjust the height of the knee support.



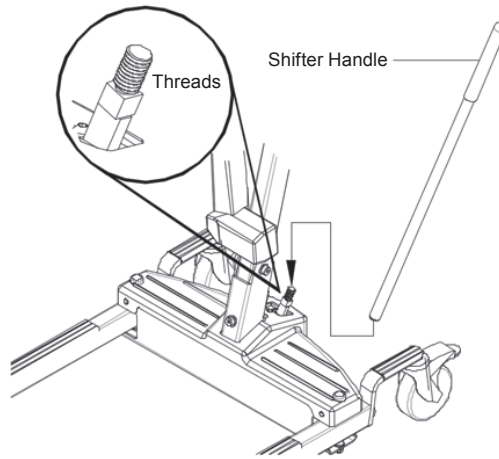
## Assembling the control box to the mast

1. Temporarily remove the screw on the mast mounting bracket for the control box.
2. Secure the control box onto the mounting bracket on the mast with the screw.
3. Plug in the electrical connectors from the actuator to the bottom of the control box.
4. Slide the battery onto the mounting bracket above the control box. Make sure there is an audible click when the battery is mounted in place.



## Installing the shifter handle

1. Line up the shifter handle opening with the threaded connector at the base.
2. Turn the shifter handle clockwise and securely tighten into the base.



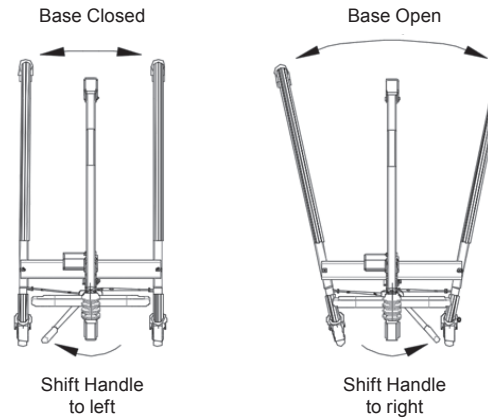
## EQUIPMENT OPERATION

### OPERATING THE PATIENT LIFT

#### Closing/opening the legs of the lift base

Stand at the rear of the lift and grasp the shifter handle. Swivel the shifter handle to open and close the legs of the base.

The shifter handle **MUST** be positioned completely into its mounting slot. **DO NOT** use the patient lift until shifter handle is properly seated and the legs of the patient lift are locked in place. Otherwise, injury and/or damage may occur.



#### Raising/lowering the electric patient lift

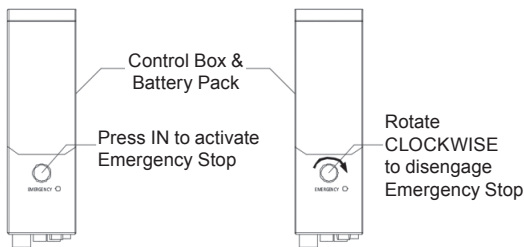
To raise the patient lift, press the UP button (▲ up arrow).

To lower the patient lift, press the DOWN button (▼ down arrow).



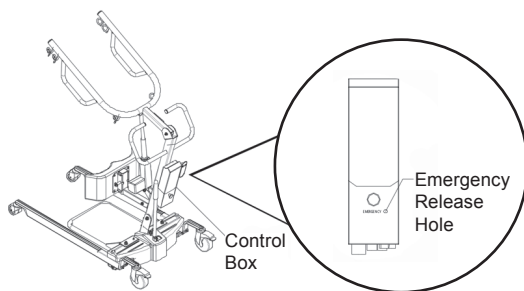
## Activating the emergency stop

Press the RED emergency button on the control box to stop the boom assembly and patient from raising or lowering. Rotate the RED emergency stop button clockwise to disengage the emergency stop.



## Activating the mechanical emergency release

All lift actuators are built with a mechanical emergency release. The mechanical release enables the actuator to retract without the use of hand pendant. To activate the emergency release, insert a pen into the hole labeled “EMERGENCY” on the control box of the lift and push down on the boom at the same time. The actuator will only retract while under load and the mechanical emergency release is engaged. The release hole is labeled with the word “EMERGENCY” spelled out in white.



## Charging the battery

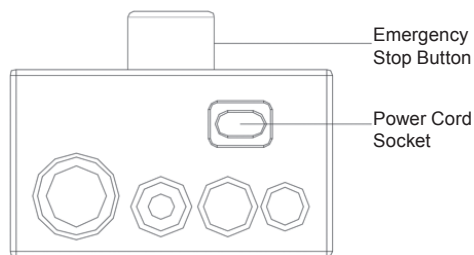
It is recommended that the battery should be recharged daily to prolong battery life. The battery status can be viewed on the LCD display at the front of the control box.

## Charging the battery with power cord

Insert one end of the power cord into the corresponding socket on the underside of the control box. Plug the other end into an appropriate grounded electrical socket.

The indication light on the control box will be illuminated to indicate the battery is being charged.

**NOTE:** The lift will not be operable while the battery is being charged. Keep the lift casters locked and lift stationary.



Bottom View of Control Box

## Mounting a wall charger

The wall charger is an accessory and should be ordered separately.

# LIFTING THE PATIENT

## PREPARING THE LIFT FOR USE

### Positioning the lift for use

1. With the legs of the base open, use the steering handle to push the patient lift into position.
2. Lower the patient lift for easy attachment of the sling.

**WARNING:** The legs of the lift must be in the maximum open position for optimum stability and safety. If it is necessary to close the legs of the lift to maneuver the lift under a bed, close the legs of the lift only as long as it takes to position the lift over the patient and lift the patient off the surface of the bed. When the legs of the lift are no longer under the bed, return the legs of the lift to the maximum open position and lock the shifter handle immediately.

### Attaching slings to the lift

1. Position the patient on the appropriate sling.
2. Place the straps of the sling over the hooks on the boom.
3. Match the corresponding colors on each side of the sling for an even lift of the patient.

### Lifting/moving the patient

**WARNING:** Before lifting or transferring the patient, the base legs **MUST** be in the open position for optimum stability and safety. **DO NOT** engage the rear locking casters when patient is in the lift.

1. Using the steering handle, push the patient lift underneath the bed. Leaving enough space between the knee pad and the bed for the patient to position their legs. Instruct the patient to hold on to the hand grips on the boom.

2. With the sling securely attached to the lift, press the UP (▲) button to raise the patient to a standing position with their legs against the knee pad.
3. Using the steering handle, move lift away from the bed.

### Transferring the patient to a wheelchair

**WARNING:** The wheelchair wheels **MUST** be locked before lowering the patient into the wheelchair for transport.

1. The legs of the lift (with patient) should be in the open position.
2. Move the wheelchair into position.
3. Ensure the rear wheels of the wheelchair are locked to prevent further movement of the chair.
4. Lower the patient by pressing the DOWN (▼) button on the lift controller.
5. Once the patient is in a seated position, assist the patient to lift their feet off the foot stand.
6. Disconnect the sling from the patient lift.
7. To return to the bed, reverse procedures concerning lifting the patient, operation and sling attachments.



## TROUBLESHOOTING GUIDE

SYMPTOMS	FAULTS	SOLUTIONS
Actuator idle when lift buttons are pressed.	Battery low.  Hand control or actuator connector loose.  RED emergency stop button pressed in.  Battery not connected properly to control box.  The connecting terminals are damaged.  Actuator in need of service or load is too high.	Recharge battery with power cable or wall charger.  Ensure tight connection of all connectors to control box.  Rotate the emergency button clockwise until it pops out.  Dismount and remount the battery to control box.  Replace the battery pack. Contact your supplier.  Contact your supplier for actuator maintenance.
Patient lift feels loose.	Mast/base joint loose. Tie-rods are loose.	Refer to page 4.
Casters/brakes noisy or stiff.	Debris or fluff in bearings.	Replace casters.
Noisy or dry sound from pivots.	Needs lubrication.	Lubricate your lift.
Unusual noise from actuator.	Actuator is worn or damaged or spindle is bent.	Replace the actuator. Contact your supplier.
Lift arms will not lower when emergency release is pressed.	Lift arms require a minimum weight load to lower during emergency release.	Pull down slightly on the lift arms.

If problems persist following the above remedial procedures, please contact your dealer or the manufacturer.

## WARRANTY

Your Dynarex Sit-to-Stand Electric Patient Lift is warranted to be free of defects in materials and workmanship for five (5) years on structural steel, one (1) year on electrical & mechanical parts/components, from original date of purchase, for use by the original purchaser. This item was built to exacting standards and carefully inspected prior to shipment. This Warranty is an expression of our confidence in the materials and workmanship of our products and our assurance to the consumer of dependable service.

The Warranty shall not apply under the following conditions:

- Problems arising from normal wear
- Problems arising from failure to adhere to the product instructions
- Problems arising from misuse, negligence, accident or improper operation, maintenance or storage
- Problems arising from modifications or unauthorized repairs, parts or attachments

- Products where the serial number has been removed or defaced
- Problems with non-durable components, such as rubber accessories, casters, and grips, which are subject to normal wear and need periodic replacement

Dynarex shall not be liable for any consequential or incidental damages whatsoever. Dynarex shall repair or replace defective products at its option. The foregoing warranty is exclusive and in lieu of other express warranties, if any, including the implied warranties of merchantability and fitness of a particular purpose. The remedy for any violation of the implied warranty shall be limited to repair or replacement of the defective product pursuant to the terms contained herein.

If you have a question about your Dynarex device or this warranty, please contact an authorized Dynarex dealer.



**SYMBOL GLOSSARY**

For an explanation of symbols used in Dynarex packaging, visit [dynarex.com/symbols.php](http://dynarex.com/symbols.php)

 **WARNING:**  
Cancer and Reproductive Harm  
[www.P65Warnings.ca.gov](http://www.P65Warnings.ca.gov)