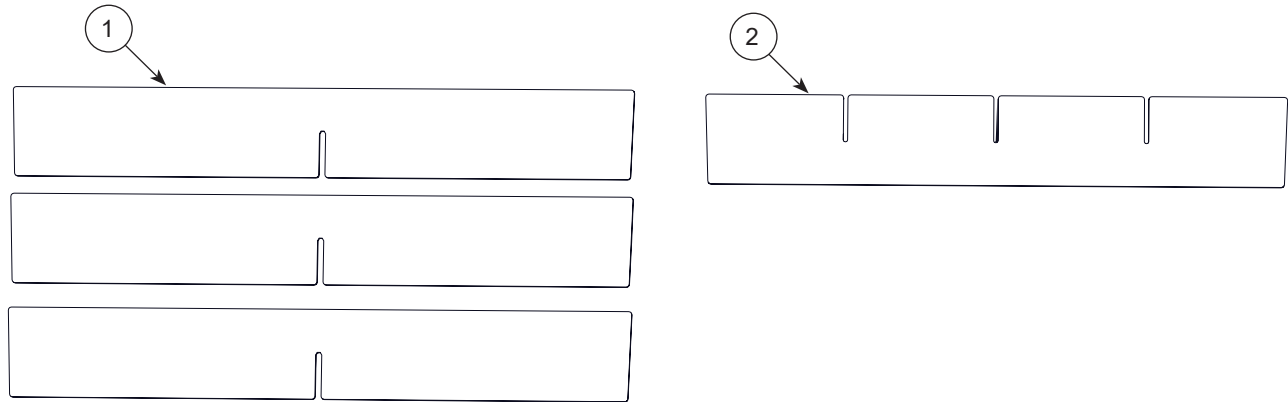


3500288 Front Drawer Divider Accessory



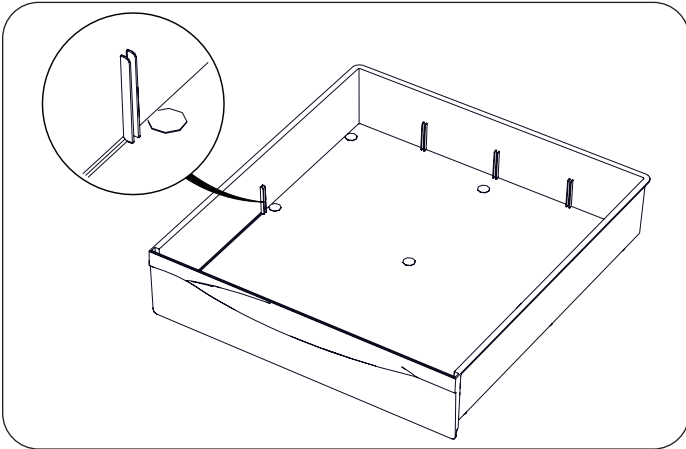
Item No.	Description	Qty
1	Long Divider	3
2	Short Divider	1

Registering your Brewer product is easy.
Simply go to brewercompany.com/warranty-registration, fill out the information fields and click send.
By registering your product today, you are better safeguarding your investment in the future.

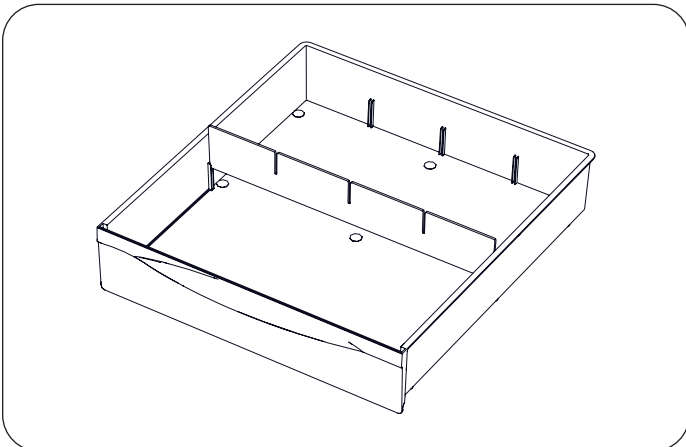
The Brewer Company, LLC
N88 W13901 Main Street, Suite 100
Menomonee Falls, WI 53051
P 1.888.Brewer.1
F 262.251.2332
E customerservice@brewercompany.com
www.brewercompany.com

Insert Front Drawer Dividers

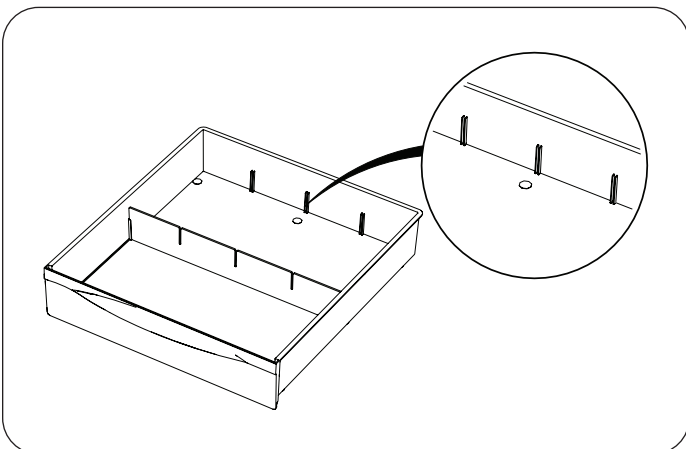
1. Pull the front drawer out of the table. Note the divider ribs located on each side of the drawer.



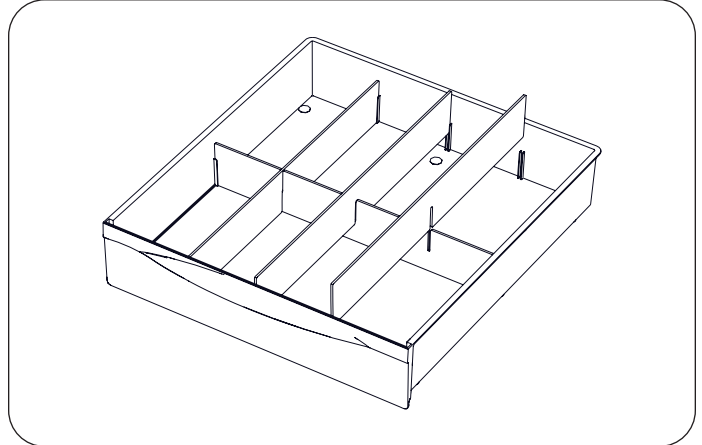
2. Install the short divider with 3 notches facing upward.



3. Note the divider ribs located on the front and rear faces of the drawer.



4. Install the 3 long dividers with notch facing downward.



5. Push the front drawer back into the table.

